

Rugged Waveguide Taper Transition

WR-06 to WR-05, Length=1.0inch

2023-10-5

Product Overview



AT Microwave provides rugged waveguide taper transition with high performance. These straight waveguides are suitable for Labs test and high performance required applications.

Defaulted length is 1inch, and can be customized according to request. AT Microwave offers waveguide taper transition covering 33-260GHz, with waveguide port from WR-22 to WR-04.

More information, please visit www.atmicrowave.com

Advantages

- ✓ Rugged Application
- ✓ Low Insertion Loss
- ✓ Anti-cocking design
- ✓ Low Cost, Fast Delivery

Application

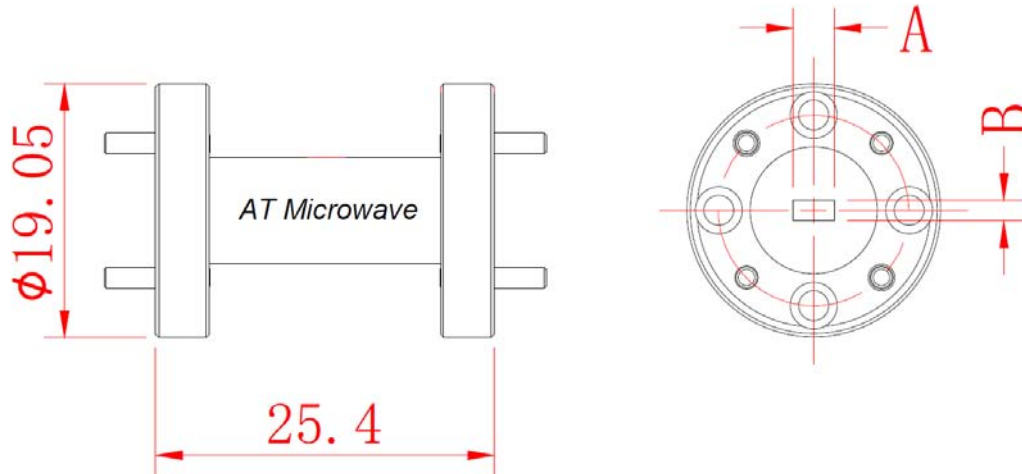
- ✓ Labs Test
- ✓ Radar System
- ✓ High Performance Application
- ✓ Military and Defense

Key Features

| Item | Description |
|---------------|---|
| Port 1: | WR-06 Waveguide with UG-387/U-M Anti-cocking Flange |
| Port 2: | WR-05 Waveguide with UG-387/U-M Anti-cocking Flange |
| Length | 1.0 inch |
| Case Material | Copper |
| Finish | Gold Plated |
| Weight | 100g |



Dimension (unit mm)



| Dimentions(mm) | | |
|----------------|------|------|
| Waveguide | -A- | -B- |
| WR-15 | 3.76 | 1.88 |
| WR-12 | 3.10 | 1.55 |
| WR-10 | 2.54 | 1.27 |
| WR-08 | 2.03 | 1.02 |
| WR-06 | 1.65 | 0.83 |
| WR-05 | 1.30 | 0.65 |
| WR-04 | 1.09 | 0.55 |
| WR-03 | 0.86 | 0.43 |

