

WR-22 to 2.92mm Adapter

Feature

WR-22 to 2.92mm Adapter
 Specified 33-40GHz
 Low Insertion Loss
 Excellent Broadband VSWR

AT-WC-2229X-R



Specifications -

Specifications guaranteed from -45 to +85°C, measured in a 50Ω system

Parameter	Frequency Range(GHz)	Min	Typ	Max	Unit
Insertion Loss	33-40GHz		0.5	1	dB
VSWR			1.25	1.3	
Power Handling				50	W
Specifications Temp				25	C
Operating Temp		-40		85	C

Environmental

-55 C to +125 C
 Corrosion: MIL-STD 202
 Vibration: MIL-STD 202

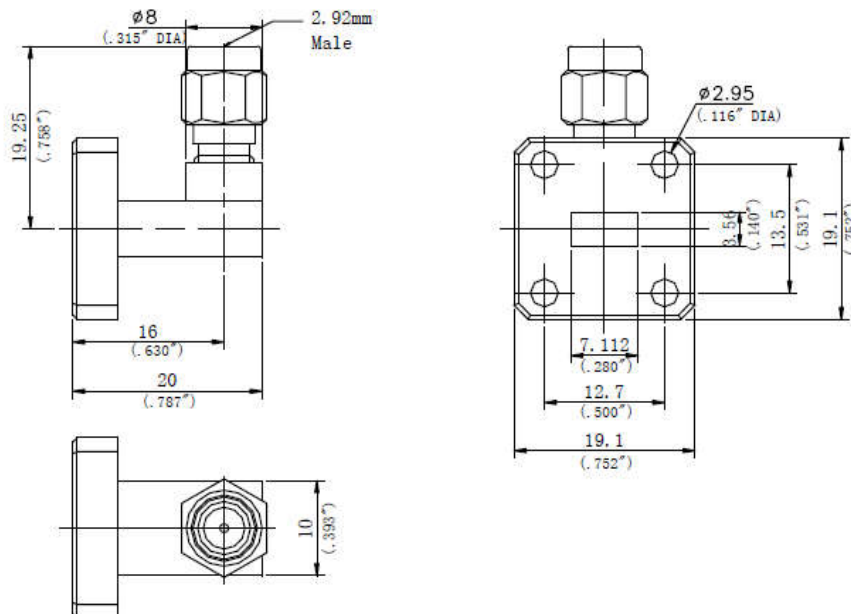
Materials

Waveguide Housing: Brass, Gold Plated
 Connector Housing: Stainless steel, Passivated
 Connector Center Contact: Beryllium Copper, Gold Plated
 Connector Insulator: PE

Order Information

Connector #1	Connector #2	Part Number
WR-22	2.92mm Female	AT-WC-2229F-R
WR-22	2.92mm Male	AT-WC-2229M-R

Dimension



AT Microwave

RM1204,NO.2911,North Zhongshan RD, Putuo District , Shanghai ,China, 200063
 Tel:+8621-5291 8556 Email:sales@atmicrowave.com www.atmicrowave.com