

75-110GHz Voltage Control Oscillator, High Power=+13dBm, WR-10



Product Overview

AT-VCO-75110-13 is broadband voltage controlled oscillator with 75-110GHz output frequency and +13dBm power.

The product is combined by a 10-20GHz VCO and X6 Active Frequency Multiplier. Higher Power is available by adding higher power amplifier.

More information, please visit www.atmicrowave.com

Advantages

- ✓ Wideband Tuning
- ✓ Low SSB phase noise
- ✓ Low power consumption
- ✓ Simple Power Supply

Application

- ✓ 5G Communication
- ✓ Test Equipment
- ✓ ROF (RF Over Fiber)
- ✓ Radar System

Key Features

Parameter	Min	Typical	Max
RF OUT Frequency Range		75-110GHz	
Output Power	+10	+13dBm	
Vtune Range		5-15V	
Vtune Current		10 uA	25uA
Vdd		+5V	+8V
Current		0.5A	
Temp		25C	





AT-VCO-75110-13

75-110GHz Voltage Control Oscillator

Mechanical Information

Item	Description
Vtune Port	SMA Female
RF Output Port	WR-10
Vdd Power Supply	PIN
Case Material	Copper
Finish	Gold Plated
Weight	TBD
Dimension	See outline

Absolute Maximum Ratings Table

Parameter	Value
Drain Supply	+9V
Vtune	+20V
Operating Temperature	0 to + 50C
Storage Temperature	-45 to +85C

Caution:

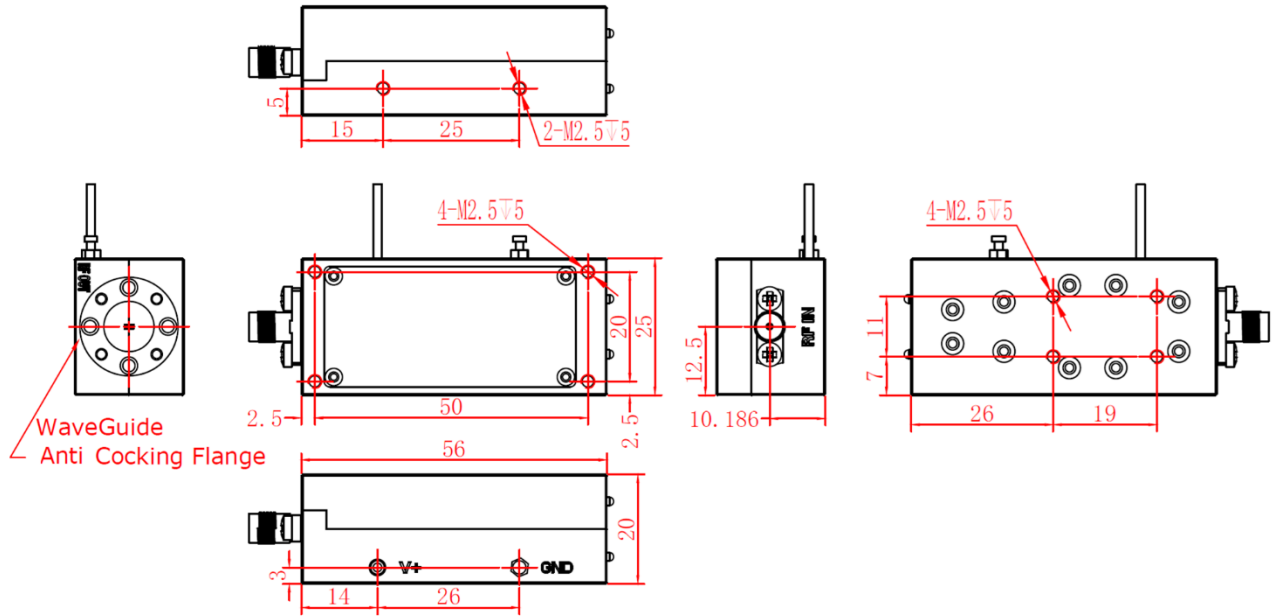
Please pay attention to the case temperature. If case temperature exceed higher than +50C, heat sink and fan are required, or the amplifier may be damaged.

Notes:

1. Datasheet may be changed according to update of MMIC, Raw materials , process, and so on.
2. This data is only for reference, not for guaranteed specifications.
3. Please contact AT Microwave team to make sure you have the most current data.



Dimension(mm)



Heatsink Required during operation.

