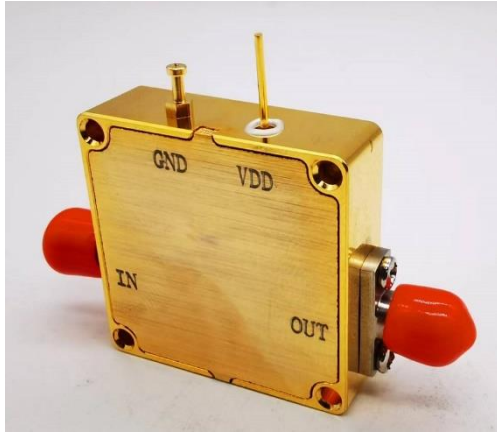


4-8GHz Voltage Control Oscillator



Product Overview

AT-VCO-0408A is a high performance voltage controlled oscillator module from 4-8GHz. The VCO provides very low phase noise and low power consumption.

Both input and output ports are SMA connector. The Vtune port accepts an analog tuning voltage from 0 to +18V.

More information, please visit www.atmicrowave.com

Advantages

- ✓ Wideband Tuning
- ✓ Low SSB phase noise
- ✓ Low power consumption
- ✓ Single Power Supply

Application

- ✓ 5G Communication
- ✓ Test Equipment
- ✓ ROF (RF Over Fiber)
- ✓ Radar System

Key Features

Parameter	Min	Typical	Max
RF OUT Frequency Range		4-8GHz	
Output Power (Note)		+5dBm	
Phase Noise @10kHz		-75dBc/Hz	
Phase Noise @100kHz		-100dBc/Hz	
Phase Noise @1MHz		-110dBc/Hz	
Vtune Range	0		+18V
Vtune Current		1 uA	10uA
Vdd		+5V	+12V
Current		50mA	
Sensitivity		200 to 300MHz/V	
Temp		25C	

Note: Customized Output power from 0 to +30dBm is available according to request.





AT-VCO-0408A

4-8GHz Voltage Control Oscillator

Mechanical Information

Item	Description
Vtune Port	SMA Female
RF Output Port	SMA Female
Vdd Power Supply	PIN
Case Material	Copper
Finish	Gold Plated
Weight	50g
Size:	See outline

Absolute Maximum Ratings Table

Parameter	Value
Drain Supply	+15V
Vtune	+22V
Operating Temperature	-40 to + 85C
Storage Temperature	-55 to +125C

Caution:

Please pay attention to the case temperature. If case temperature exceed higher than +50C, heat sink and fan are required, or the amplifier may be damaged.

Notes:

1. Datasheet may be changed according to update of MMIC, Raw materials , process, and so on.
2. This data is only for reference, not for guaranteed specifications.
3. Please contact AT Microwave team to make sure you have the most current data.

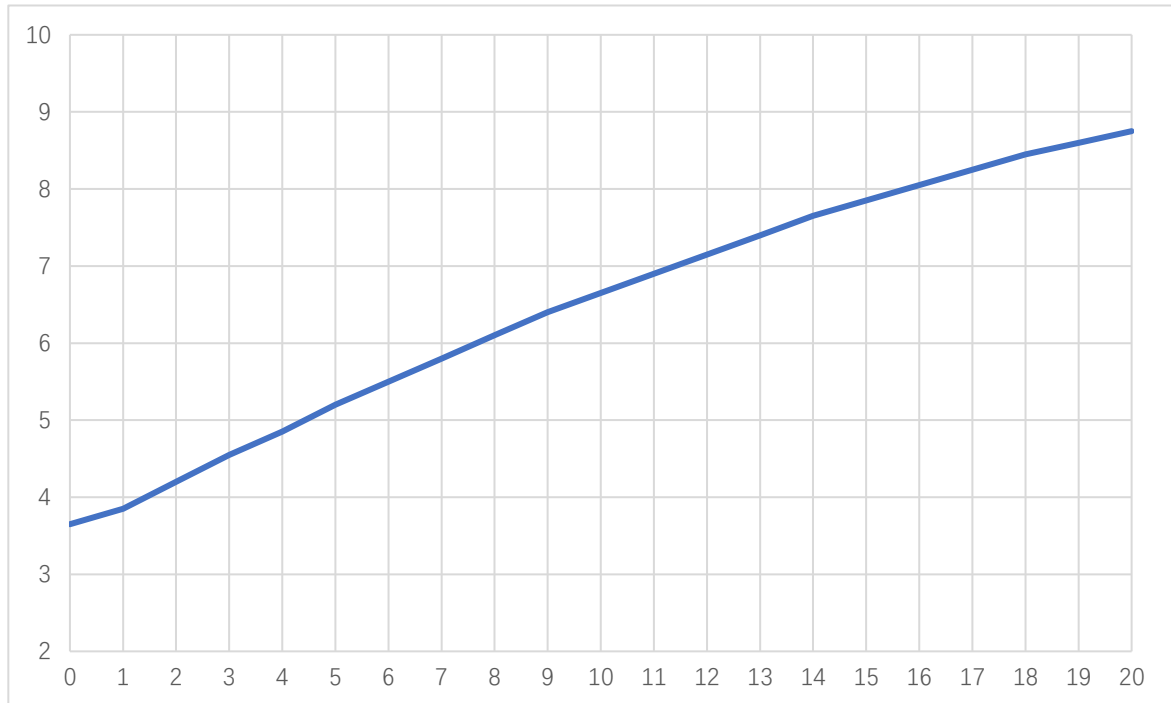




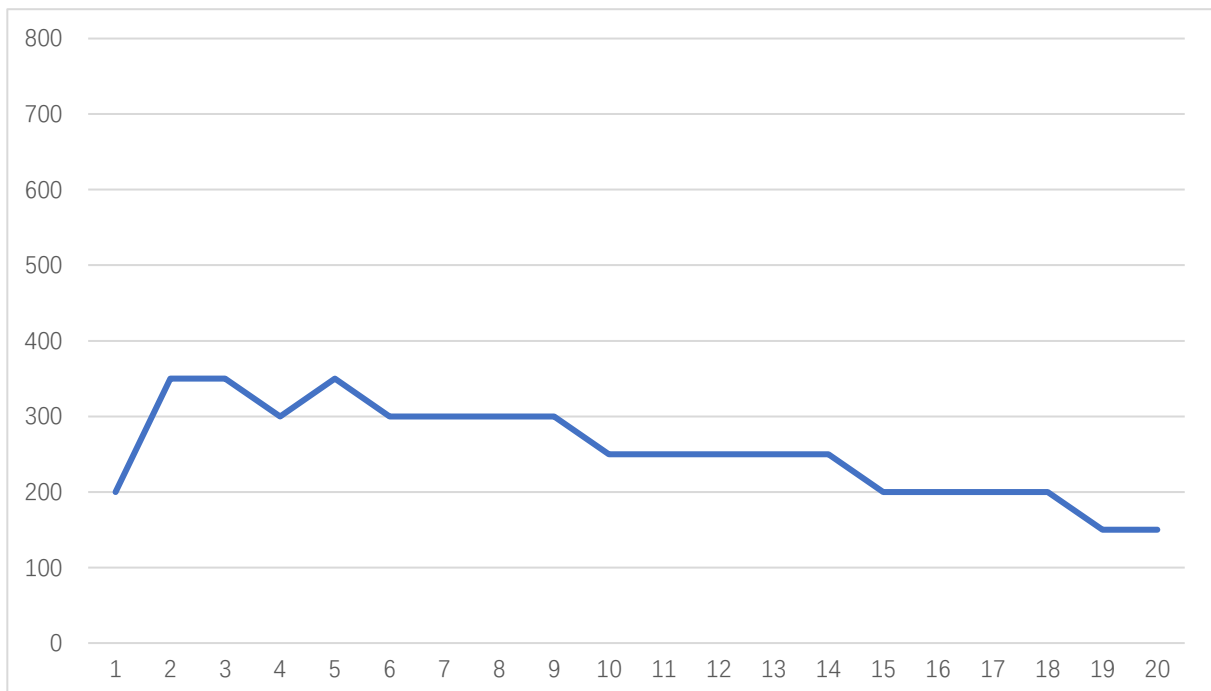
AT-VCO-0408A

4-8GHz Voltage Control Oscillator

Test Data (25C)



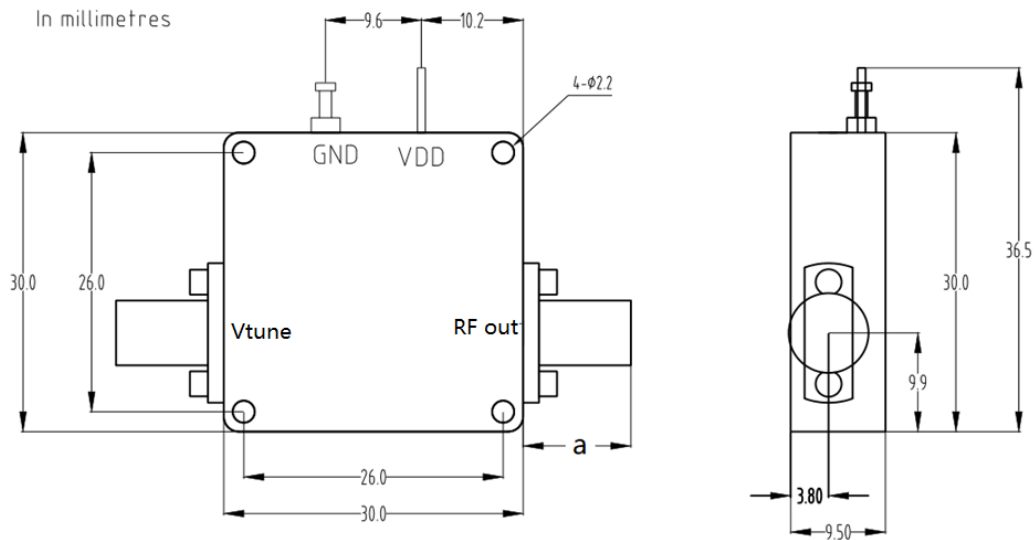
Output Frequency vs Tuning Voltage



Sensitivity vs Tuning Voltage



Dimension: (unit in mm)



	<26.5GHz	<40GHz	<50GHz	<67GHz
Connector	SMA	2.92mm	2.4mm	1.85mm
Lenth of a	9.4mm	9.5mm	10.8mm	11.3mm

Note: Female Default. Contact with us for other types.

