

50 Ohms Termination, SMA

AT-T50-SX

Feature

- SMA Termination
- Specified DC-18GHz
- Excellent Broadband VSWR



Specifications -

Specifications guaranteed from -45 to +85°C, measured in a 50Ω system

Parameter	Specs
Frequency	DC-18GHz
VSWR	1.2 Max
Power	2W
Impedance	50 Ohms
Operating Temp	-50 to +85C

Environmental

- 55 C to +125 C
- Corrosion: MIL-STD 202
- Vibration: MIL-STD 202

Materials

- Body: SU304 Polished & Passivated
- Center Contact: Beryllium Copper Gold Plated
- Insulators: PEI

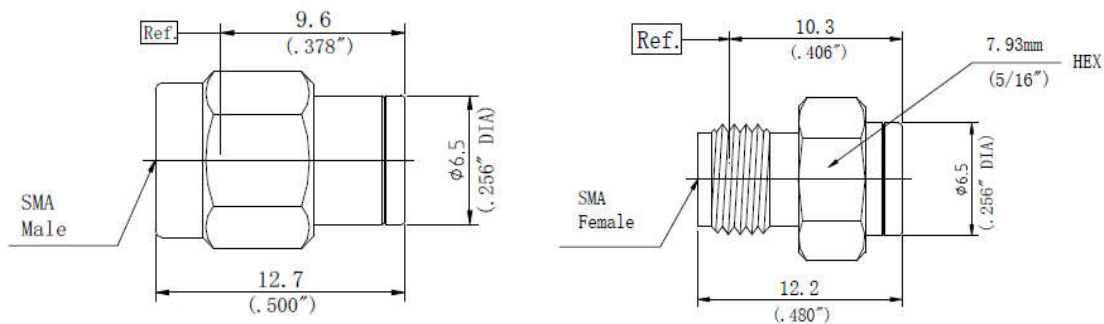
Mechanical

- 1000 Cycles Min

Order Information

Connector #1	Connector #2	Part Number
1	SMA Male	AT-T50-SM
2	SMA Female	AT-T50-SF

Dimension



AT Microwave

RM1204,NO.2911,North Zhongshan RD, Putuo District , Shanghai ,China, 200063

Tel:+8621-5291 8556 Email:sales@atmicrowave.com www.atmicrowave.com