

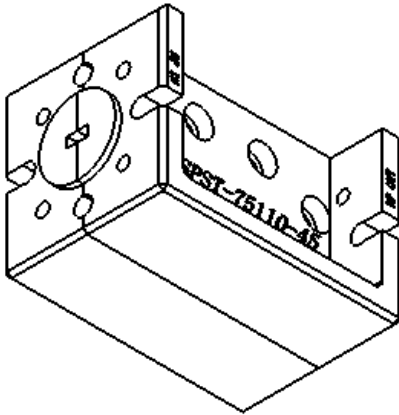
75-110GHz SPST and Attenuator

Description:

AT-SPST-75110-35 is a MMIC Based SPST (Single pole Single throw) switch covering 75-110GHz. It also can be used as an voltage controlled attenuator. This module offers a low insertion loss of -6 dB with typical isolation of -20dBc.

It also has good return loss from 75-110GHz band in both ON and OFF state. The input and output connectors are WR-10 Waveguide. Other connectors can be provided according to request.

More information, visit www.atmicrowave.com



Feature

- ✓ Frequency: 75-110GHz
- ✓ Low insertion Loss, -6 dB
- ✓ High isolation: -35dBc
- ✓ Very fast speed

Application

- ✓ Test Equipment
- ✓ ROF (RF Over Fiber)
- ✓ Radar System
- ✓ Telecom Communication

Electronical Specifications:

Parameter	Min	Typical	Max
Frequency(Note1)		75-110GHz	
Insertion Loss		-6dB	-8
Isolation		-35 dBc	
Control Voltage		-1.2 and 0 V	
Power Consumption		0mW	
RF Port		WR-10	
Bias Port		Feed Through Pin	
Dimension		30X20X20mm	



Absolute Maximum Ratings Table

Parameter	Value
Control Voltage	-2 to 0.7V
RF Input Power	+15dBm
Operating Temperature	0 to +50C
Storage Temperature	-65 to +150C

Truth Table

VT	RFC to RF1
-1.2V	ON
0	OFF

Dimension (mm)

