

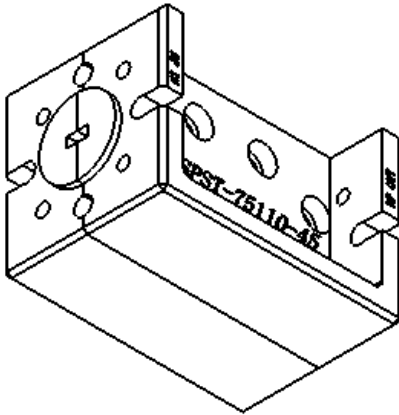
## 60-90GHz SPST and Attenuator

### Description:

AT-SPST-6090-35 is a MMIC Based SPST (Single pole Single throw) switch covering 60-90GHz. It also can be used as an voltage controlled attenuator. This module offers a low insertion loss of -4 dB with typical isolation of -20dBc.

It also has good return loss from 60-90GHz band in both ON and OFF state. The input and output connectors are WR-12 Waveguide. Other connectors can be provided according to request.

More information, visit [www.atmicrowave.com](http://www.atmicrowave.com)



### Feature

- ✓ Frequency: 60-90GHz
- ✓ Low insertion Loss, -6 dB
- ✓ High isolation: -35dBc
- ✓ Very fast speed

### Application

- ✓ Test Equipment
- ✓ ROF (RF Over Fiber)
- ✓ Radar System
- ✓ Telecom Communication

### Electronical Specifications:

Parameter	Min	Typical	Max
Frequency(Note1)		60-90GHz	
Insertion Loss		-6dB	-8
Attenuation Range as attenuator		-35 dBc	
Isolation as SPDT		-35 dBc	
Control Voltage		-1.2 and 0 V	
Power Consumption		0mW	
RF Port		WR-12	
Bias Port		Feed Through Pin	
Dimension		30X20X20mm	





# AT-SPST-6090-35

## 60-90GHz SPST Switch and Attenuator

### Absolute Maximum Ratings Table

Parameter	Value
Control Voltage	-2 to 0.7V
RF Input Power	+15dBm
Operating Temperature	0 to +50C
Storage Temperature	-65 to +150C

### Truth Table

VT	RFC to RF1
-1.2V	ON
0	OFF

### Notes:

1. Datasheet may be changed according to update of MMIC, Raw materials , process, and so on.
2. This data is only for reference, not for guaranteed specifications.
3. Please contact AT Microwave team to make sure you have the most current data.



### Dimension (mm)

Following dimension is from AT-SPDT-75110-40, just for reference.  
 Contact with us for dimension when place order.

