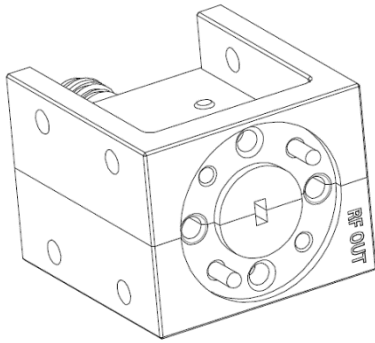


Full W Band Passive Multiplier



Description:

AT-PM3-75110 is a full W band, passive frequency multiplier. The multiplier has an input frequency of 25-36.66 GHz with a typical output -3dBm from 75-110GHz.

The multiplier also has a typical harmonic suppression. The input port is 2.92mm female, and the output is WR-10. Other port configurations are available under different requirement.

More information, please visit www.atmicrowave.com

Feature

- ✓ Frequency: 75-110GHz
- ✓ Pout: -3dBm typical
- ✓ Input: 25-36.66GHz
- ✓ Low Harmonics

Application

- ✓ W band Communication
- ✓ Test Equipment
- ✓ ROF (RF Over Fiber)
- ✓ Radar System

Electronical Specifications:

Parameter	Min	Typical	Max
Input Frequency	25GHz		36.66GHz
Input Power	+15	+18dBm	+20dBm
Multiplier Factor		X3	
Output Frequency	75GHz		110GHz
Conversion Loss		-20dB	
Pout (Pin=+18dBm)		-3dBm	
Harmonic Suppression		-15dBc	
Drain Voltage		NO	
Spec Temp		25C	





AT-PM3-75110

Passive Multiplier x3, 75-110GHz

Mechanical Information

Item	Description
Input Port	2.92mm Female
Output Port	WR-10 Waveguide with UG-387/U-M anti-cocking Flange
Case Material	Copper
Finish	Gold Plated
Weight	70g
Size:	See outline

Absolute Maximum Ratings Table

Parameter	Value
Drain Supply	+9V
RF Input Power	+23dBm
Operating Temperature	0 to +50C
Storage Temperature	-55 to +125C

Notes:

- ✓ Datasheet may be changed according to update of MMIC, Raw materials , process, and so on.
- ✓ This data is only for reference, not for guaranteed specifications.
- ✓ Please contact AT Microwave team to make sure you have the most current data.
- ✓ Always pay attention to the temperature of the case, heatsink and fan are required if case temperature exceeds over 50C.

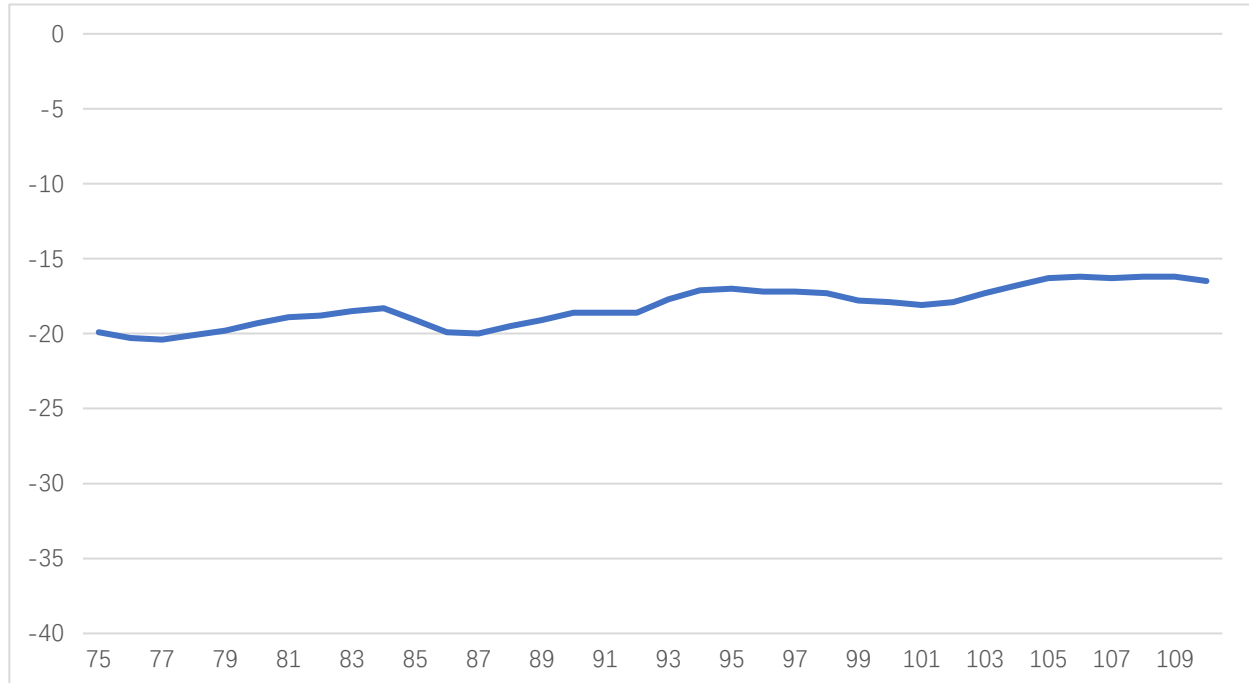




AT-PM3-75110

Passive Multiplier x3, 75-110GHz

Test Data(25C)



Conversion Loss vs Frequency



Dimension(mm)

