

## Full E Band Passive Multiplier

### Description:

AT-PM3-6090M is a full E band, passive frequency multiplier. The multiplier has an input frequency of 20-30 GHz with a typical Conversion loss of -20dB.

The multiplier also has a typical harmonic suppression. The input port is 2.92mm female, and the output is WR-12. Other port configurations are available under different requirement.

AT-AM2-2040-18 can be used as a driver for this passive module.

More information, please visit [www.atmicrowave.com](http://www.atmicrowave.com)



### Feature

- ✓ Frequency: 60-90GHz
- ✓ CL: -20dB typical
- ✓ Input: 20-30GHz
- ✓ Low Harmonics

### Application

- ✓ E band Communication
- ✓ Test Equipment
- ✓ ROF (RF Over Fiber)
- ✓ Radar System

### Electronical Specifications:

Parameter	Min	Typical	Max
Input Frequency	20GHz		30GHz
Input Power		+17dBm	+20dBm
Multiplier Factor		X3	
Output Frequency	60GHz		90GHz
Conversion Loss		-20dB	-25
Harmonic Suppression		-15dBc	
Drain Voltage		NO	
Spec Temp		25C	





# AT-PM3-6090M

Passive Multiplier x3, 60-90GHz

## Mechanical Information

Item	Description
Input Port	2.92mm Female
Output Port	WR-12
Case Material	Copper
Finish	Gold Plated
Weight (Without Heatsink)	65g
Size:	25x25x20 mm

## Absolute Maximum Ratings Table

Parameter	Value
RF Input Power	+21dBm
Operating Temperature	0 to +50C
Storage Temperature	-65 to +150C

### Notes:

- ✓ Datasheet may be changed according to update of MMIC, Raw materials , process, and so on.
- ✓ This data is only for reference, not for guaranteed specifications.
- ✓ Please contact AT Microwave team to make sure you have the most current data.
- ✓ Always pay attention to the temperature of the case, heatsink and fan are required if case temperature exceeds over 50C.



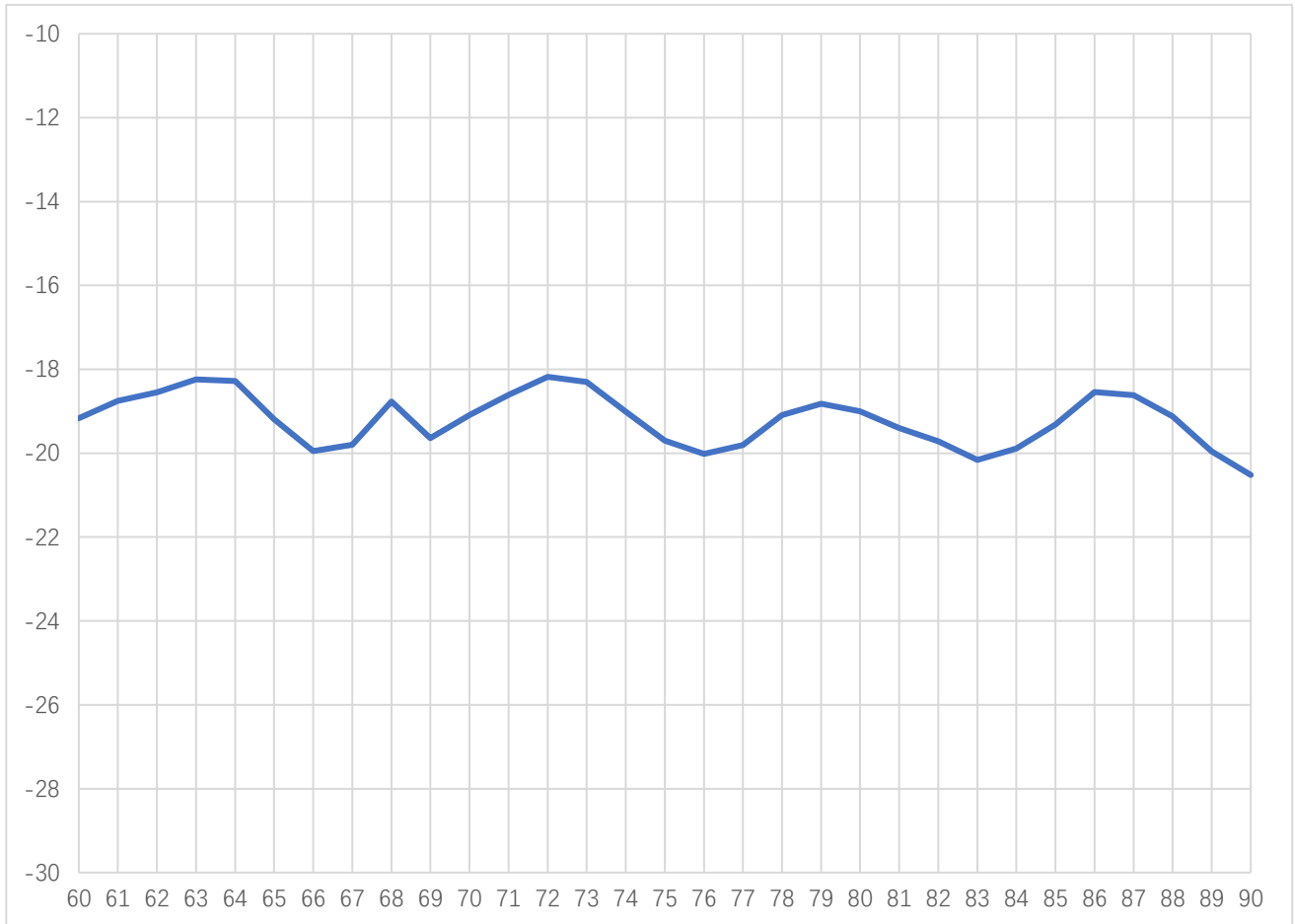


# AT-PM3-6090M

Passive Multiplier x3, 60-90GHz

## TEST DATA: (25C)

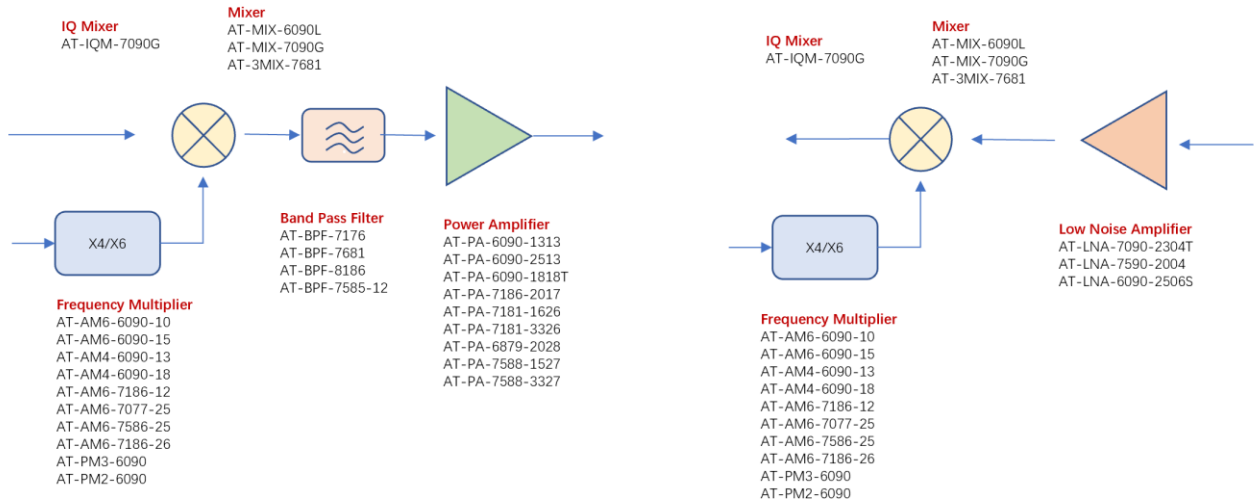
Pin=+17dBm



Conversion Loss vs Frequency



### E Band 60-90GHz



### Dimension(mm)

