

2020-08-18



Description:

AT-PM2-4067LS is a passive broadband MMIC based doubler. It features excellent conversion loss, superior isolations and harmonics suppression across a broad bandwidth.

This double offers extremely high suppression, small size, repeatability, scalable cost for high volume applications

More information, please visit www.atmicrowave.com

Feature

- ✓ Wideband coverage
- ✓ High Suppression
- ✓ High 1st /3rd Isolation
- ✓ Small Size
- ✓ Low Cost

Application

- ✓ 5G Systems
- ✓ Raday System
- ✓ Test Equipment
- ✓ ROF (RF Over Fiber)
- ✓ Communication System

Electronical Specifications:

Parameter	Min	Typical	Max
Input Frequency	20GHz		33.5GHz
Input Power		+13 dBm	+17dBm
Output Frequency	40GHz		67GHz
Conversion Loss		-15dB	-18
1 st Isolation to Input Power		40dBc	
3rd Isolation to Input Power		40dBc	
Input Return Loss		-5 dB	
Output Return Loss		-10 dB	
Bias		NO	
Spec Temp		25C	



Mechanical Information

Item	Description
Input Port	2.92mm Female
Output Port	1.85mm Female
Case Material	Copper
Finish	Nickel Plated
Weight (Without Heatsink)	16g
Size:	14x13.3x9.3mm

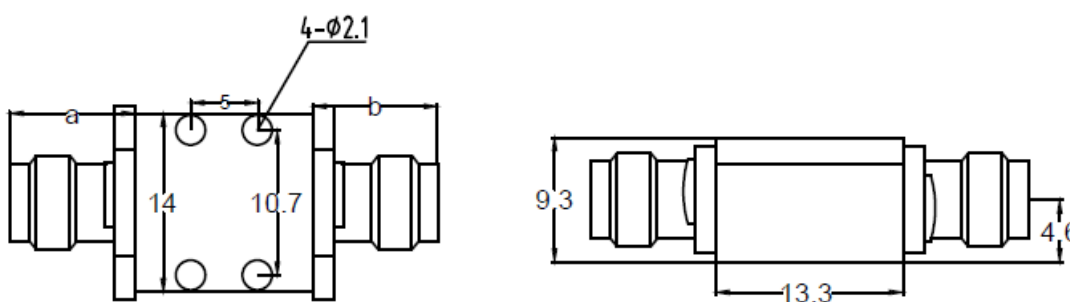
Absolute Maximum Ratings Table

Parameter	Value
Input DC Current	N/A
Output DC Current	N/A
RF Power Handling	+17dBm
Operating Temperature	-40 to +75C
Storage Temperature	-65 to +150C

NOTE: AT Microwave reserves the right to change the specification without notice.

Contact with us for the latest datasheet and information.

Dimension: (mm)



	<26.5GHz	<40GHz	<50GHz	<67GHz
Connector	SMA	2.92mm	2.4mm	1.85mm
a/b Length	9.4mm	9.5mm	10.9mm	11.3mm

Female Default. Contact with us for other types.

