

4Ways Wilkinson Power Divider/Combiner

AT-PD4-0218

REV A

Feature

2-18 GHz Broadband

Low Insertion Loss

Outstanding Phase and Amplitude Balance

Electrical Specifications -

Specifications guaranteed from -45 to +85°C, measured in a 50Ω system

Parameter	Frequency Range(GHz)	Min	Typ	Max	Unit	
Normal Power Splitting	2-18GHz		6		dB	
Normal Phase Shift			0		Degree	
Amplitude Balance			+/-0.4		dB	
Phase Balance			+/- 6		Degree	
Insertion Loss				1.5	1.8	dB
VSWR				1.5	1.8	
Isolation				16		dB
CW Peak				20		W
Peak Power				3000		W
Weight				160		g
Dimension(L/W/H)			60X69X10			mm

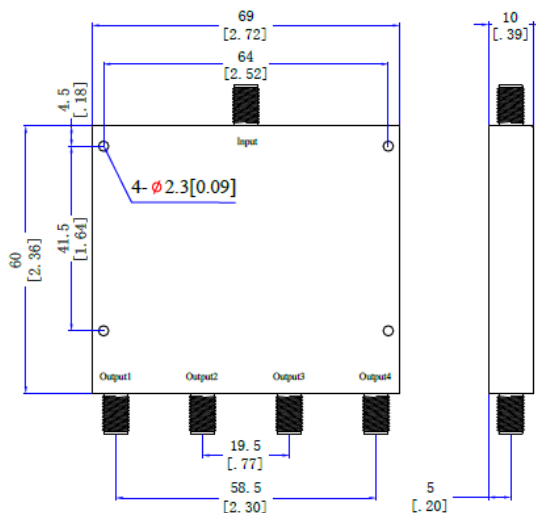
Order Information

Part Number	Description
AT-PD4-0218	4Ways 2-18GHz Power Divider With SMA Female Connectors

Consult factory for other connectors option

Dimension

Unit: mm/Degree

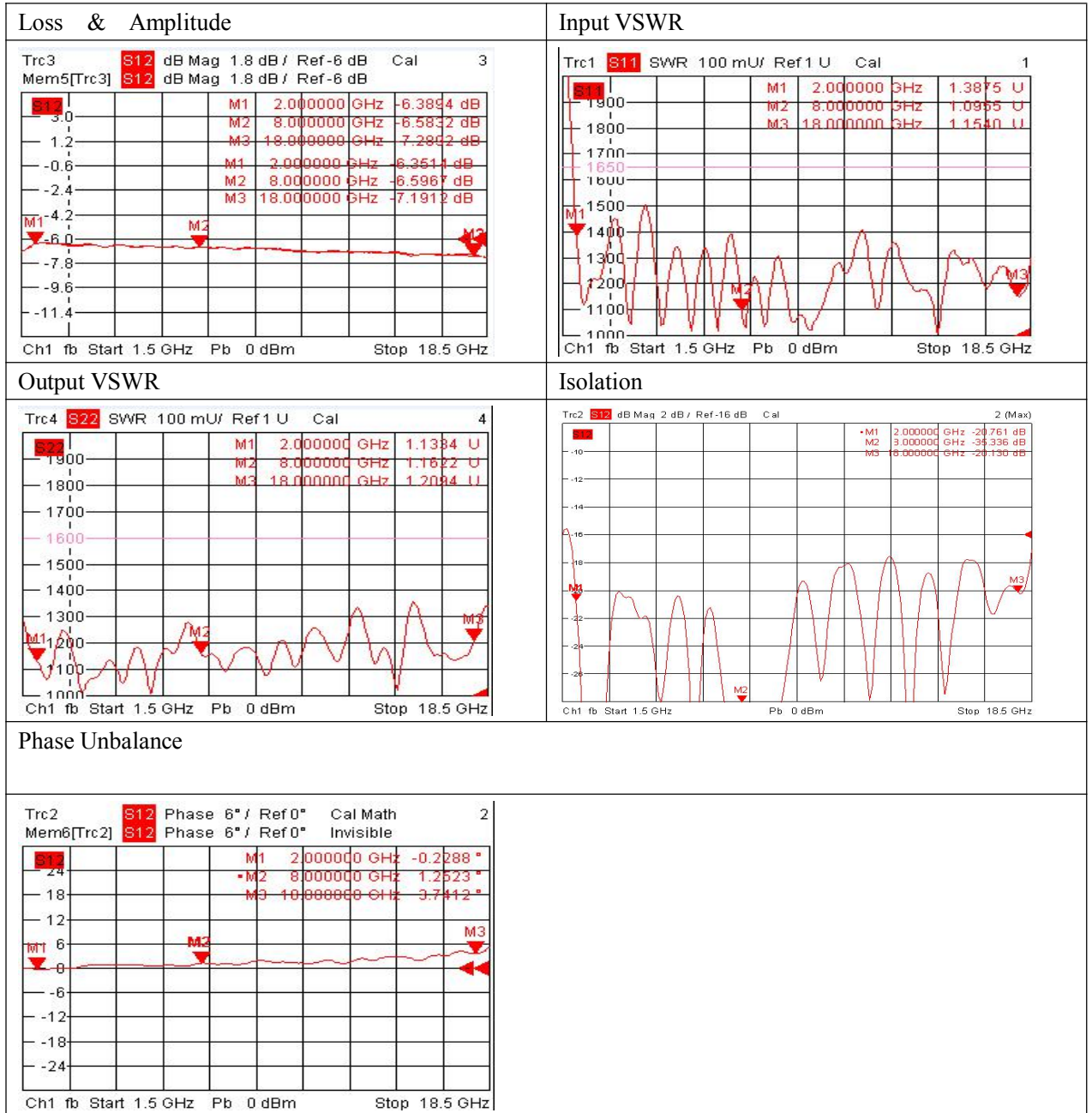


AT Microwave

RM1204,NO.2911,North Zhongshan RD, Putuo District , Shanghai ,China, 200063

Tel:+8621-5291 8556 Email:sales@atmicrowave.com www.atmicrowave.com

AT-PD4-0218



AT Microwave

RM1204,NO.2911,North Zhongshan RD, Putuo District , Shanghai ,China, 200063

Tel:+8621-5291 8556 Email:sales@atmicrowave.com www.atmicrowave.com