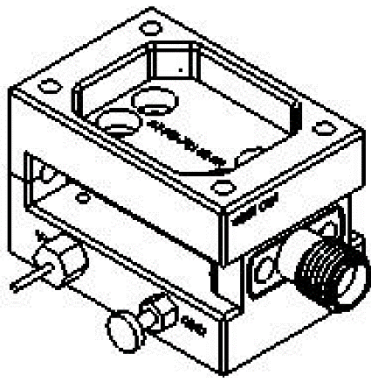


110-170GHz D Band Power Detector



Description:

AT-PD-110170-N1 is a D Band WR-06 waveguide power detector that covers frequency range from 110-170GHz.

The detector is using GaAs process technology with single +5V bias, and intended for small signal detection. The sensitivity can be up to 1000V/W at D Band. A faraday isolator can be used to improve input port VSWR.

More information, please visit www.atmicrowave.com

Feature

- ✓ Frequency: 110-170GHz
- ✓ High Sensitivity
- ✓ Max Linear -5dBm
- ✓ Envelope Detector

Application

- ✓ D Band Imaging
- ✓ FOD (Foreigner Objects Debris)
- ✓ Test Equipment
- ✓ ROF (RF Over Fiber)
- ✓ Radar System

Electronical Specifications:

Parameter	Min	Typical	Max
Frequency Range	110GHz		170GHz
Sensitivity		1000V/W	
Max Linear RF Input Power		-5dBm	
Input Power Range		-20 to -5dBm	
Output Voltage		0.8-1.9V	
Output Volage Polarity		Negative	
Drain Voltage		+5V/2mA	
Envelope Bandwidth		Around 1GHz	
Power Handling			0dBm
Spec Temp		25C	

Note: Estimated, NO guarantee. Envelope bandwidth no test due to the test limitation.





AT-PD-110170-N1

Power Detector, 110-170GHz, Negative Slope

Mechanical Information

Item	Description
Input Port	WR-06
IF Output Port	SMA Female
Case Material	Copper
Finish	Gold Plated
Weight (Without Heatsink)	100g
Size:	TBD

Absolute Maximum Ratings Table

Parameter	Value
Drain Supply	+9V
RF Input Power	0 dBm
Operating Temperature	0 to +50C
Storage Temperature	-65 to +150C



Dimension:

