



AT-PA-95116-1318GA-08

95-116GHz Power Amplifier, Psat=+18dBm

95-116Hz Power Amplifier, WR-08



Product Overview

AT-PA-95116-1318GA-08 is medium power amplifier with +18dBm output power in the frequency of 95-116GHz. The DC power requirement is +5V/0.9A. The module is with a standard WR-08 waveguide.

The power amplifier has high gain, high linearity, low input/output return loss and flat gain response.

More information, please visit www.atmicrowave.com

Advantages

- ✓ Frequency: 95-116GHz
- ✓ Psat:+18 dBm
- ✓ Small signal gain: 13dB
- ✓ Single Power Supply

Application

- ✓ W/F band Imaging
- ✓ FOD (Foreigner Objects Debris)
- ✓ Test Equipment
- ✓ ROF (RF Over Fiber)
- ✓ Radar System

Key Features

Parameter	Min	Typical	Max
Frequency		95-116GHz	
Gain	10dB	13dB	
Drain Supply		+5V	+8V
Quiescent Current/A (NO RF)		0.9A	
PSAT Current/A		1.2A	1.4A
P1Db		+15dBm	
Psat	+15Bm	+18dBm	
Input Return Loss		-10dB	
Output Return Loss		-10dB	
Temp Spec		25C	

Note: Heatsink and fan are required.

Only provide 110GHz test data due to test limit.





AT-PA-95116-1318GA-08

95-116GHz Power Amplifier, Psat=+18dBm

Mechanical Information

Item	Description
Input Port	WR-08
Output Port	WR-08
Case Material	Copper
Finish	Gold Plated
Weight (Without Heatsink)	221g
Size:	57.5x33x22.4mm

Absolute Maximum Ratings Table

Parameter	Value
Drain Supply	+12V
RF Input Power	+15dBm
Operating Temperature	0 to +50C
Storage Temperature	-65 to +150C

Caution:

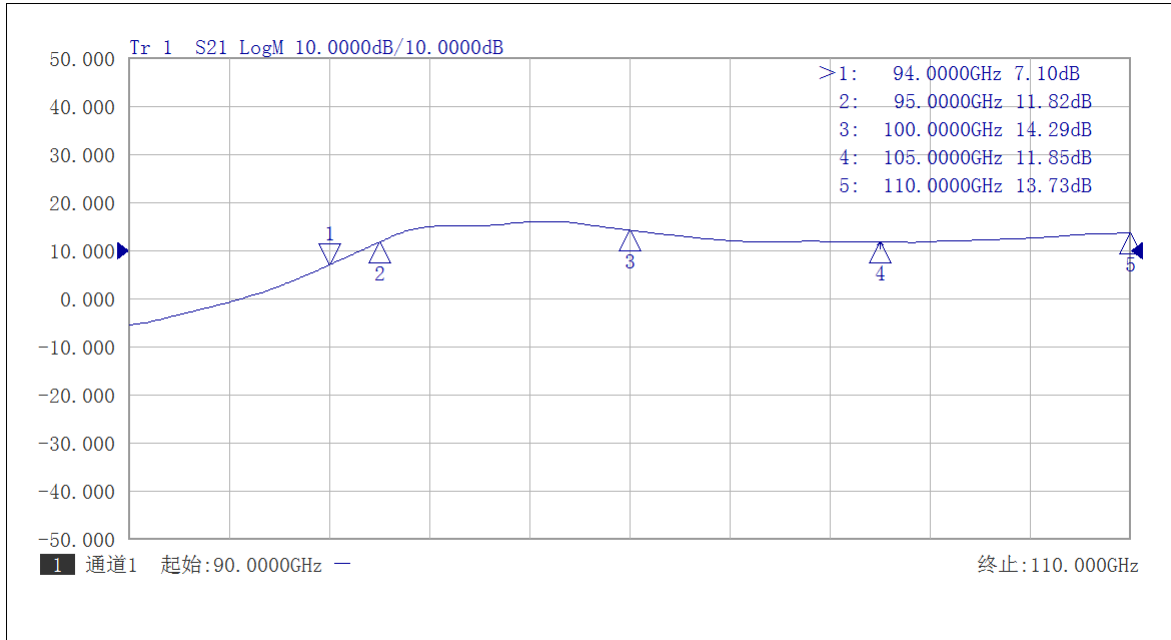
Please pay attention to the case temperature. If case temperature exceeds higher than +50C, heat sink and fan are required, or the amplifier may be damaged.

Notes:

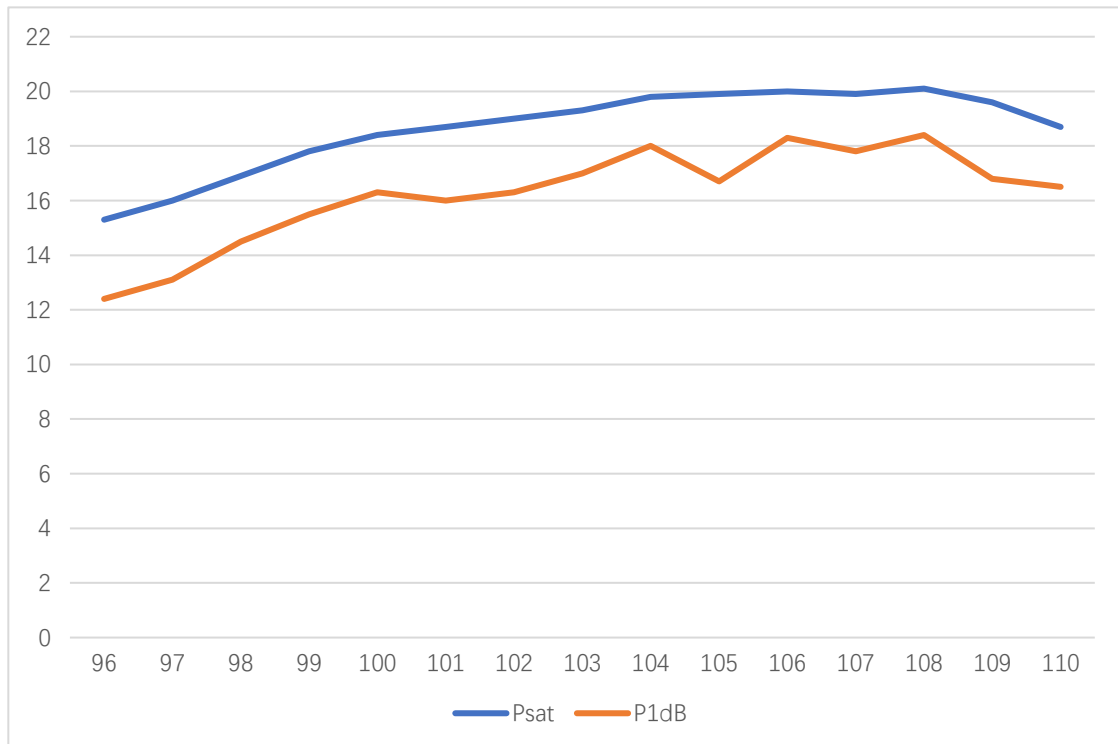
1. Datasheet may be changed according to update of MMIC, Raw materials , process, and so on.
2. This data is only for reference, not for guaranteed specifications.
3. Please contact AT Microwave team to make sure you have the most current data.



Test Data:



Gain vs Frequency



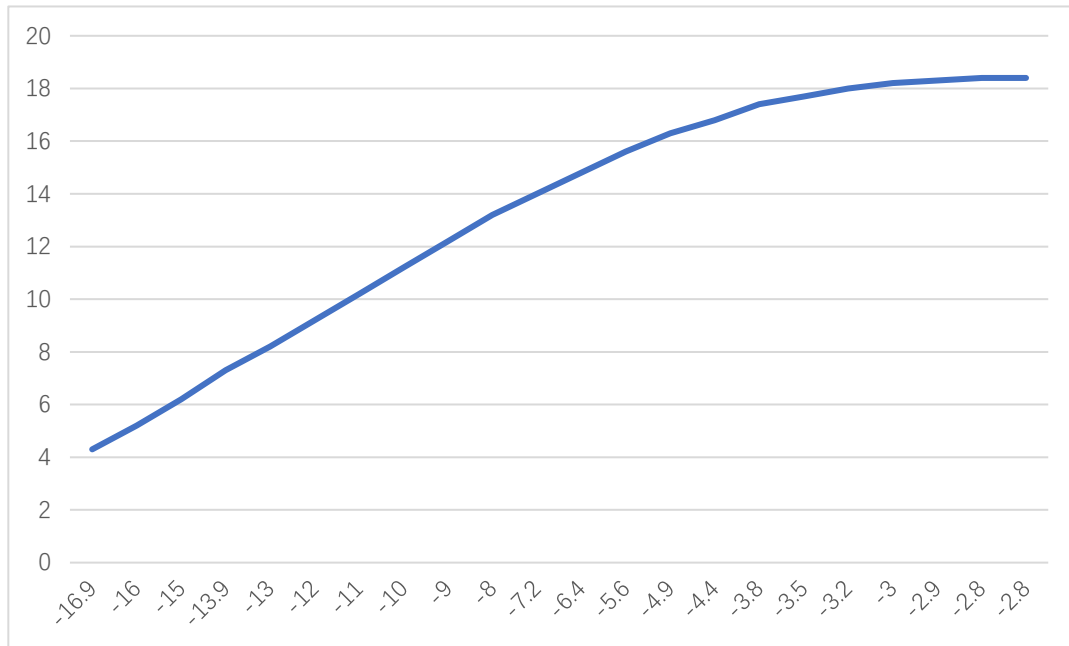
Psat and P1 vs Frequency



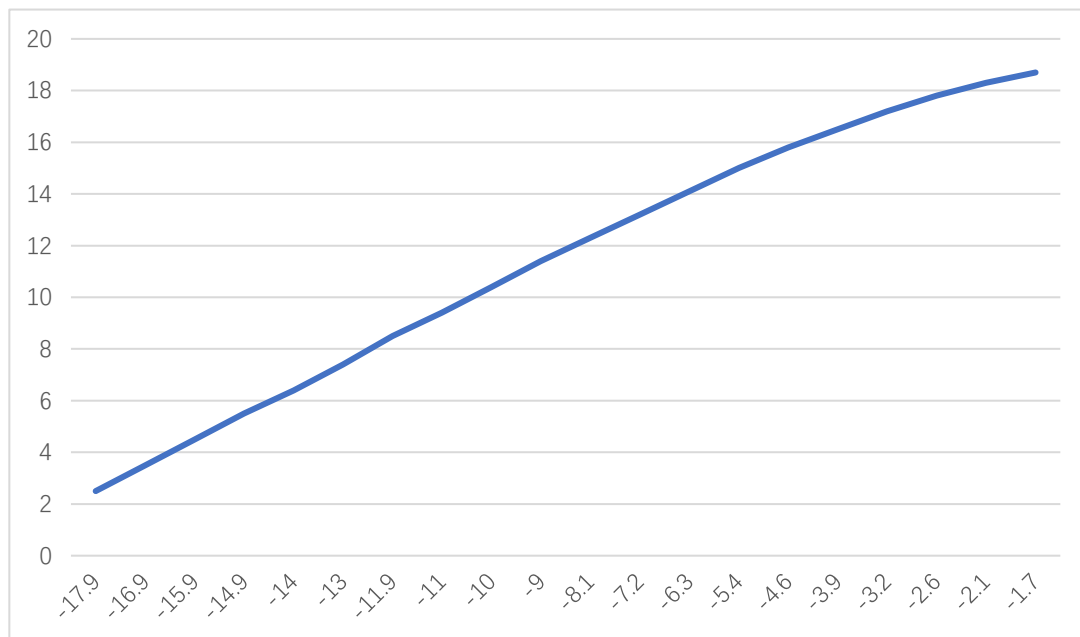


AT-PA-95116-1318GA-08

95-116GHz Power Amplifier, $P_{sat}=+18dBm$

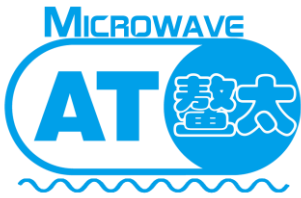


Pout vs Pin at 100GHz



Pout vs Pin at 110GHz

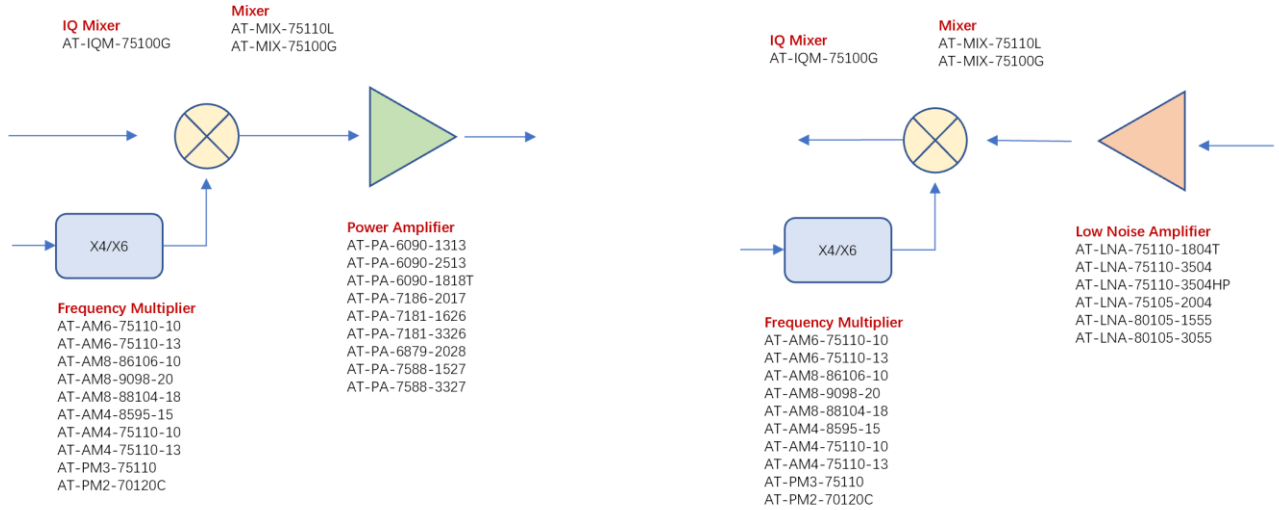




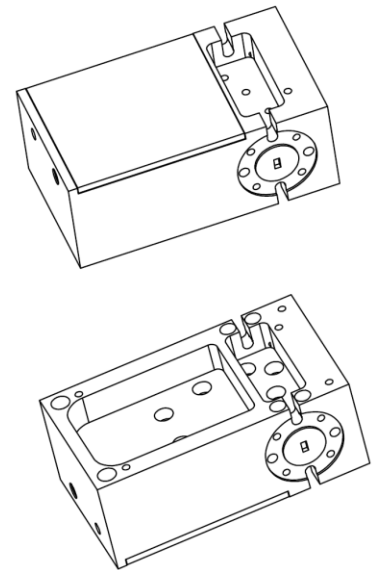
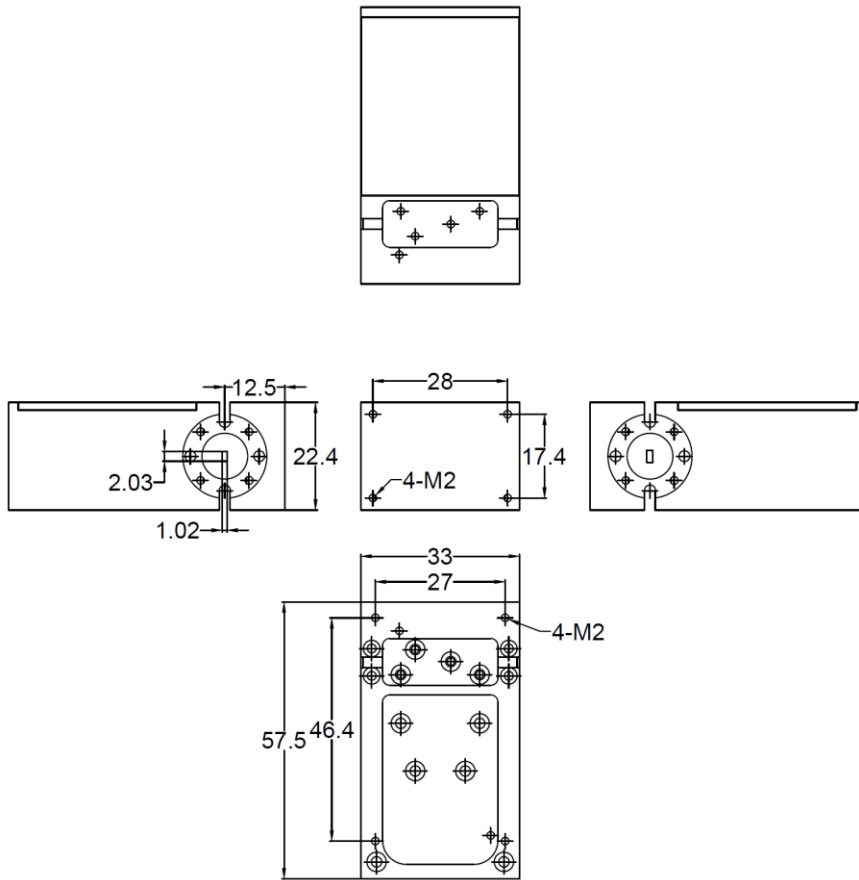
AT-PA-95116-1318GA-08

95-116GHz Power Amplifier, Psat=+18dBm

W BAND 75-110GHZ



Dimension:(unit in mm)



		签名	日期	等级	版本	重
设计						
审核						
校对						
制图						

