



AT-PA-8898-3030GN

88-98GHz Power Amplifier, Psat=+30dBm

W Band Power Amplifier, +30dBm



Product Overview

AT-PA-8898-3030GN is power amplifier with +30dBm output power in the frequency of 88-98GHz. The DC power requirement is +15V/0.6A. The module is with a standard WR-10 waveguide. GaN chips are used inside module.

The power amplifier has high gain, high linearity, low input/output return loss and flat gain response.

More information, please visit www.atmicrowave.com

Advantages

- ✓ Frequency: 88-98GHz
- ✓ Psat:+30dBm
- ✓ Small signal gain: 30dB
- ✓ Single Power Supply

Application

- ✓ W band Imaging
- ✓ FOD (Foreigner Objects Debris)
- ✓ Test Equipment
- ✓ ROF (RF Over Fiber)
- ✓ Radar System

Key Features

Parameter	Min	Typical	Max
Frequency		88-98GHz	
Gain (Small Signal Gain)	28	30dB	
Output Saturated Power	+28	+30 dBm	
Supply Voltage (V)		+15V	+18V
I _{dd} /NO RF		0.55A	
IDD/ Psat		0.65A	
Input Return Loss		-5dB	
Output Return Loss		-5dB	
Spec Temp		25C	

Shanghai AT Microwave Limited

Tel:021-6229 1233

sales@atmicrowave.com

www.atmicrowave.com





AT-PA-8898-3030GN

88-98GHz Power Amplifier, Psat=+30dBm

Mechanical Information

Item	Description
Input Port	WR-10
Output Port	WR-10
Case Material	Copper
Finish	Gold Plated
Weight (Without Heatsink)	270g
Size:	See outline

Absolute Maximum Ratings Table

Parameter	Value
Drain Supply	+20V
RF Input Power	+15dBm
Operating Temperature	0 to +50C
Storage Temperature	-65 to +150C

Note:

Output Port Must be connected to Load during operation, or the PA may be damaged due to the poor VSWR.
操作过程中，输出端不能空载，否则可能损坏 PA 模块。

Caution:

Please pay attention to the case temperature. If case temperature exceeds higher than +50C, heat sink and fan are required, or the amplifier may be damaged.

Notes:

1. Datasheet may be changed according to update of MMIC, Raw materials , process, and so on.
2. This data is only for reference, not for guaranteed specifications.
3. Please contact AT Microwave team to make sure you have the most current data.

Shanghai AT Microwave Limited

Tel:021-6229 1233

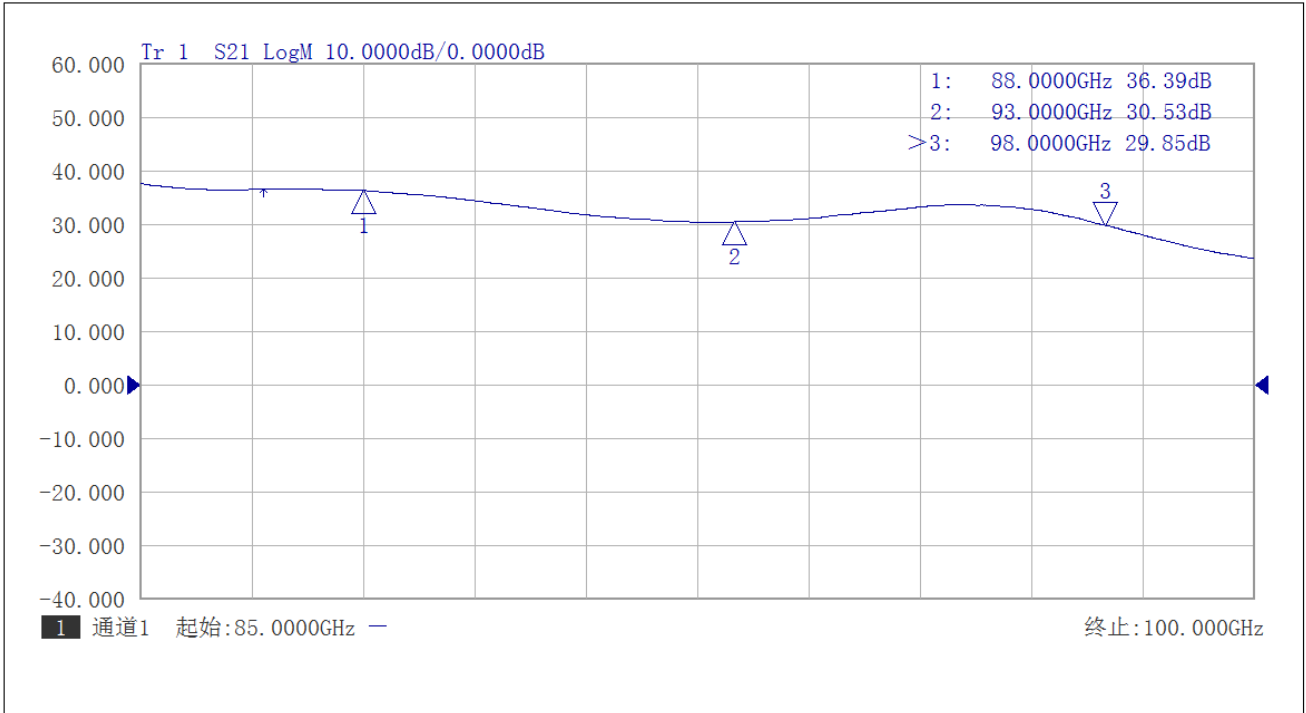
sales@atmicrowave.com

www.atmicrowave.com

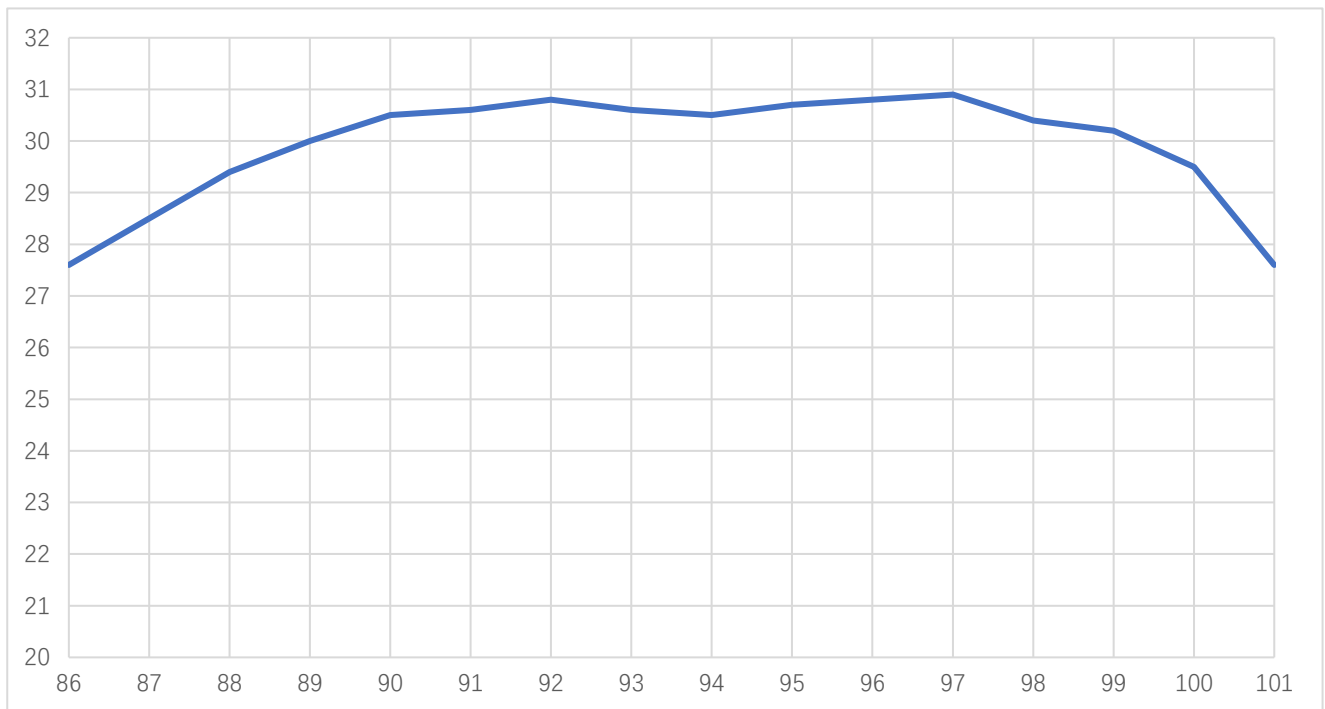


Test Data:

Vdd=+15V, Idd=0.56A, IDD=0.65A at Psat, 25C



Gain vs Frequency



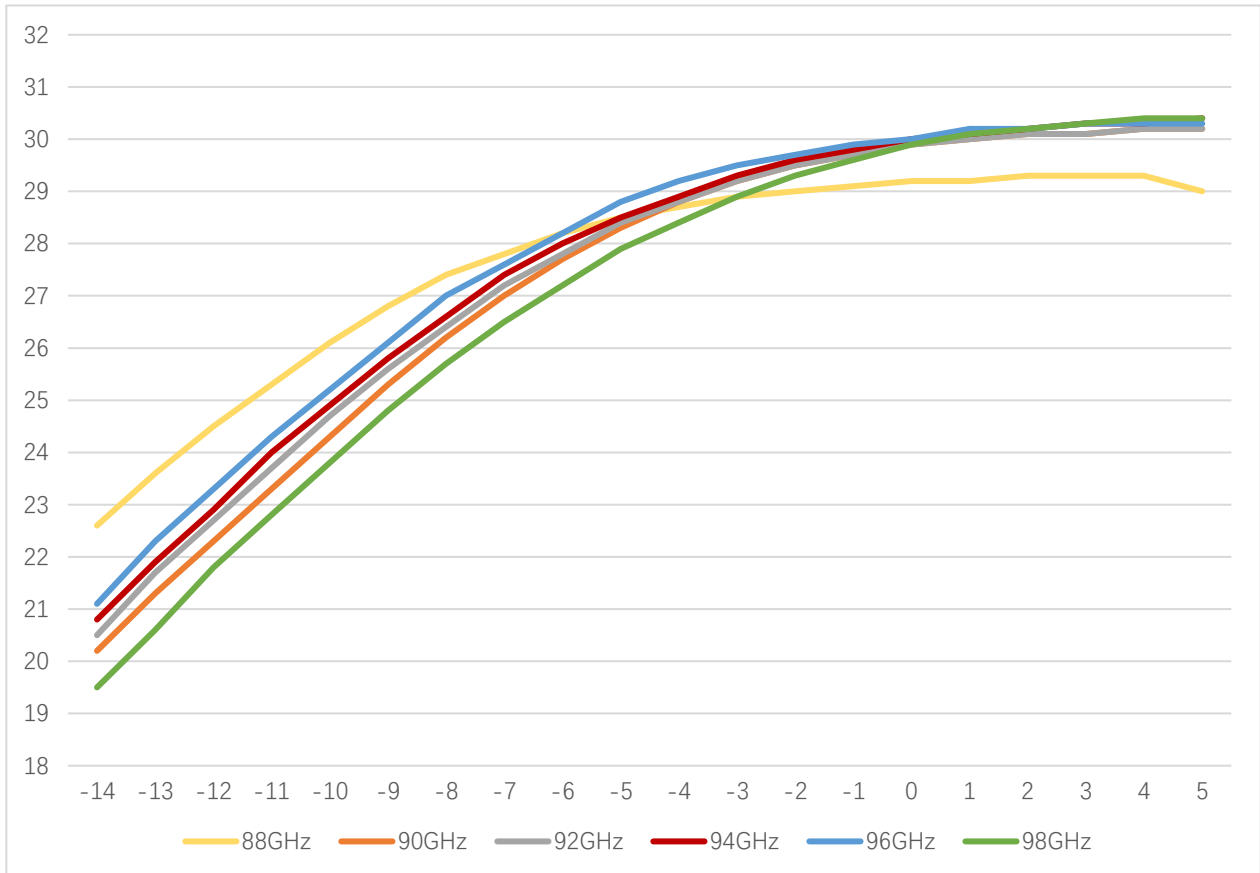
Psat vs. Frequency



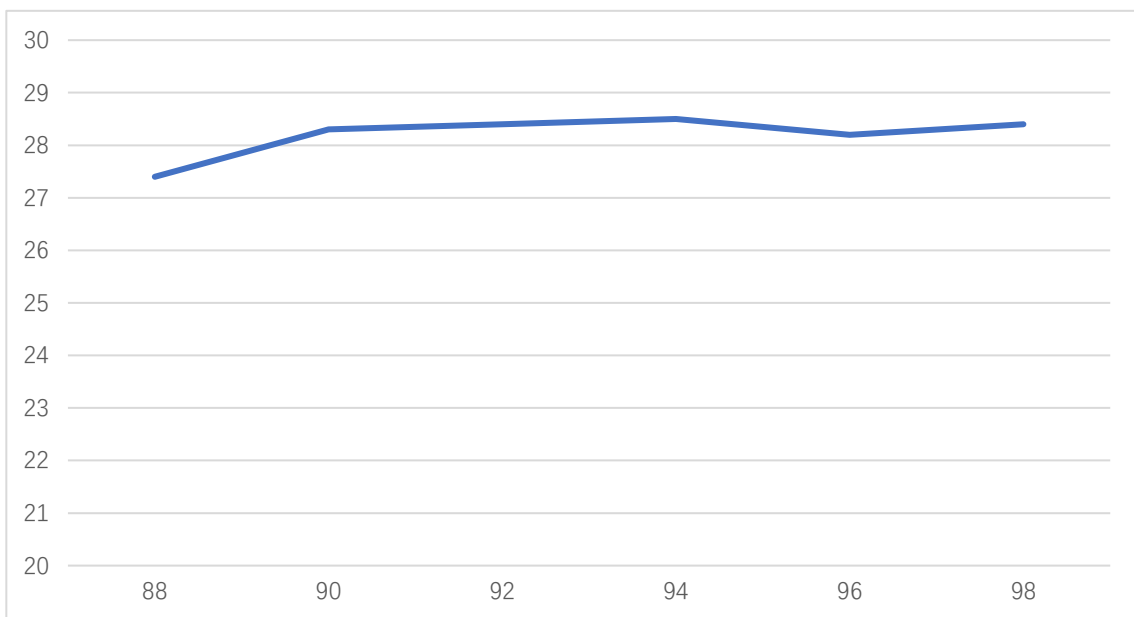


AT-PA-8898-3030GN

88-98GHz Power Amplifier, $P_{sat}=+30dBm$



Pout vs Pin at 88/90/92/94/96/98GHz



P1dB vs Frequency

Shanghai AT Microwave Limited

Tel:021-6229 1233

sales@atmicrowave.com

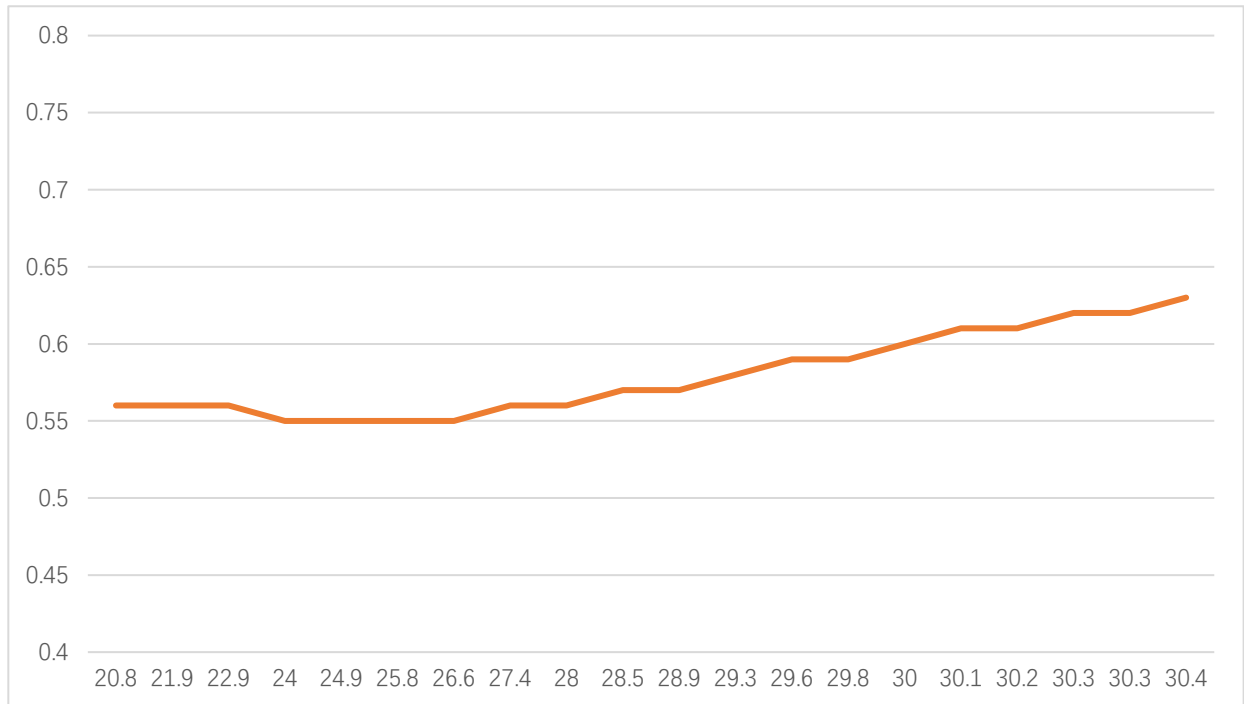
www.atmicrowave.com





AT-PA-8898-3030GN

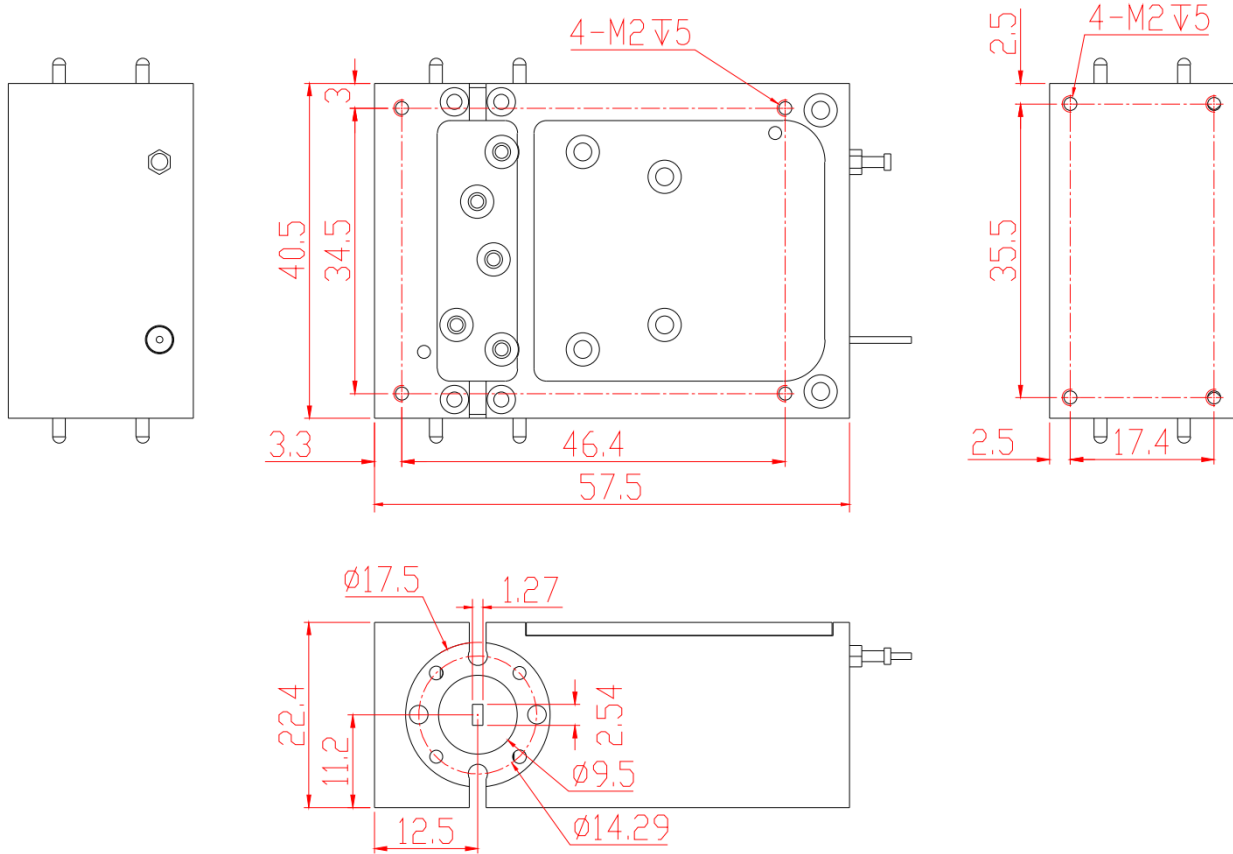
88-98GHz Power Amplifier, Psat=+30dBm



IDD vs Pout at 94GHz

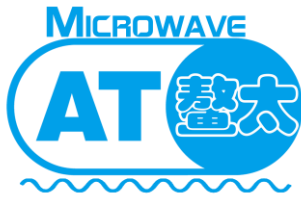


Dimension



Heat Sink Required During Operation

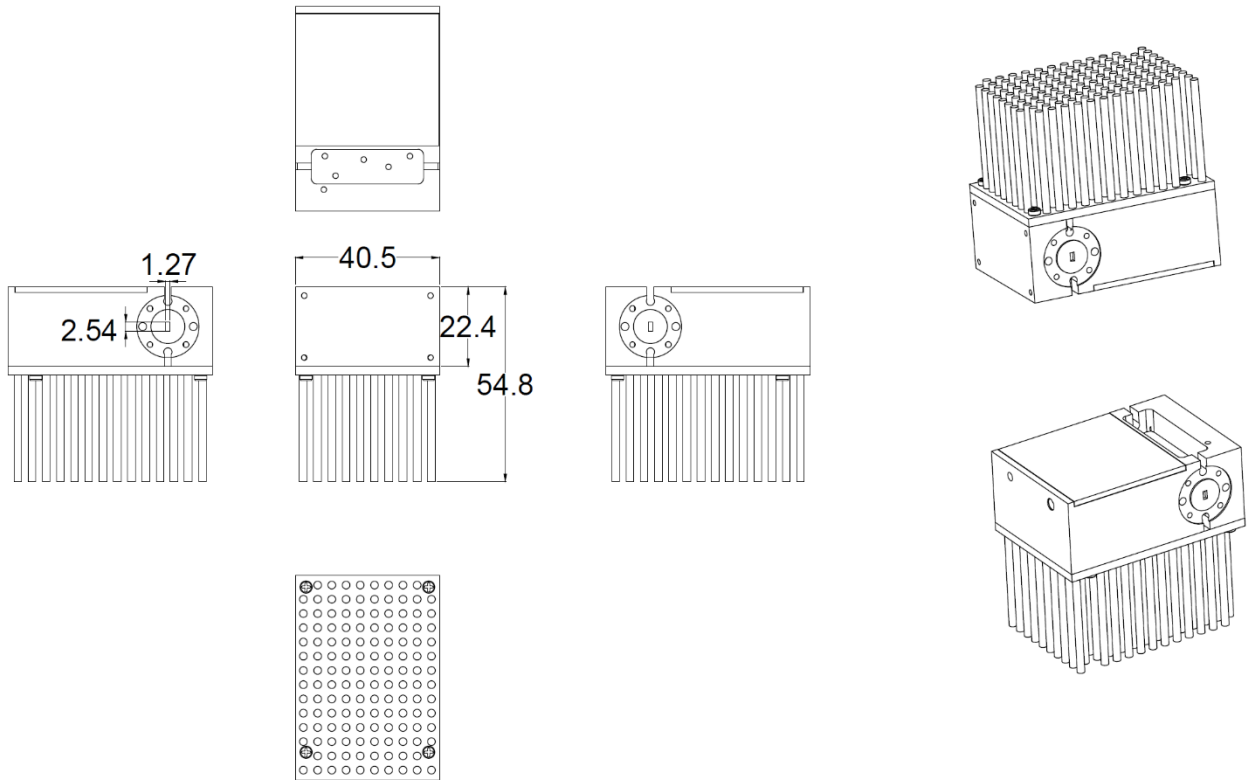




AT-PA-8898-3030GN

88-98GHz Power Amplifier, $P_{sat}=+30dBm$

Dimension with heatsink:(unit in mm)



Dimension with Heatsink

AT Microwave provides a heatsink in default if P_{out} is higher than +20dBm
Customer can remove the heatsink easily and use their own heatsink if need.

