



AT-PA-7586-3025-C10

75-86GHz Power Amplifier, Psat=+25dBm

W Band Power Amplifier, High Gain , Psat +25dBm



Product Overview

AT-PA-7586-3025-C10 is 30dB high gain power amplifier with +25dBm output power in the frequency of 75-86GHz. The DC power requirement is +5V/1.2A. The module is with a standard WR-10 waveguide. GaAs amplifier chips are used inside.

The power amplifier has high gain, high linearity, low input/output return loss and flat gain response.

More information, please visit www.atmicrowave.com

Advantages

- ✓ Frequency: 75-86GHz
- ✓ Psat:+25dBm
- ✓ Small signal gain: 30dB
- ✓ Single Power Supply

Application

- ✓ W band Imaging
- ✓ FOD (Foreigner Objects Debris)
- ✓ Test Equipment
- ✓ ROF (RF Over Fiber)
- ✓ Radar System

Key Features

Parameter	Min	Typical	Max
Frequency		75-86GHz	
Gain (Small Signal Gain)	27	30dB	
Output P1 (dBm)		+24dBm	
Output Saturated Power (dBm)		+25dBm	
Supply Voltage (V)		+5V	+6V
Quiescent Current/A (No RF)		1.0A	
Psat Current/A		1.3A	
Input Return Loss		-7dB	
Output Return Loss		-7dB	
Spec Temp		25C	

Note: Heat Sink is required.

Shanghai AT Microwave Limited

Tel:021-6229 1233

Email: sales@atmicrowave.com

www.atmicrowave.com





AT-PA-7586-3025-C10

75-86GHz Power Amplifier, Psat=+25dBm

Mechanical Information

Item	Description
Input Port	WR-10
Output Port	WR-10
Case Material	Copper
Finish	Gold Plated
Weight (Without Heatsink)	270g
Size:	57.5x40.5x22.4 mm

Absolute Maximum Ratings Table

Parameter	Value
Drain Supply	+7V
RF Input Power	+6dBm
Operating Temperature	0 to +50C
Storage Temperature	-65 to +150C

Caution:

Please pay attention to the case temperature. If case temperature exceeds higher than +50C, heat sink and fan are required, or the amplifier may be damaged.

Notes:

1. Datasheet may be changed according to update of MMIC, Raw materials , process, and so on.
2. This data is only for reference, not for guaranteed specifications.
3. Please contact AT Microwave team to make sure you have the most current data.

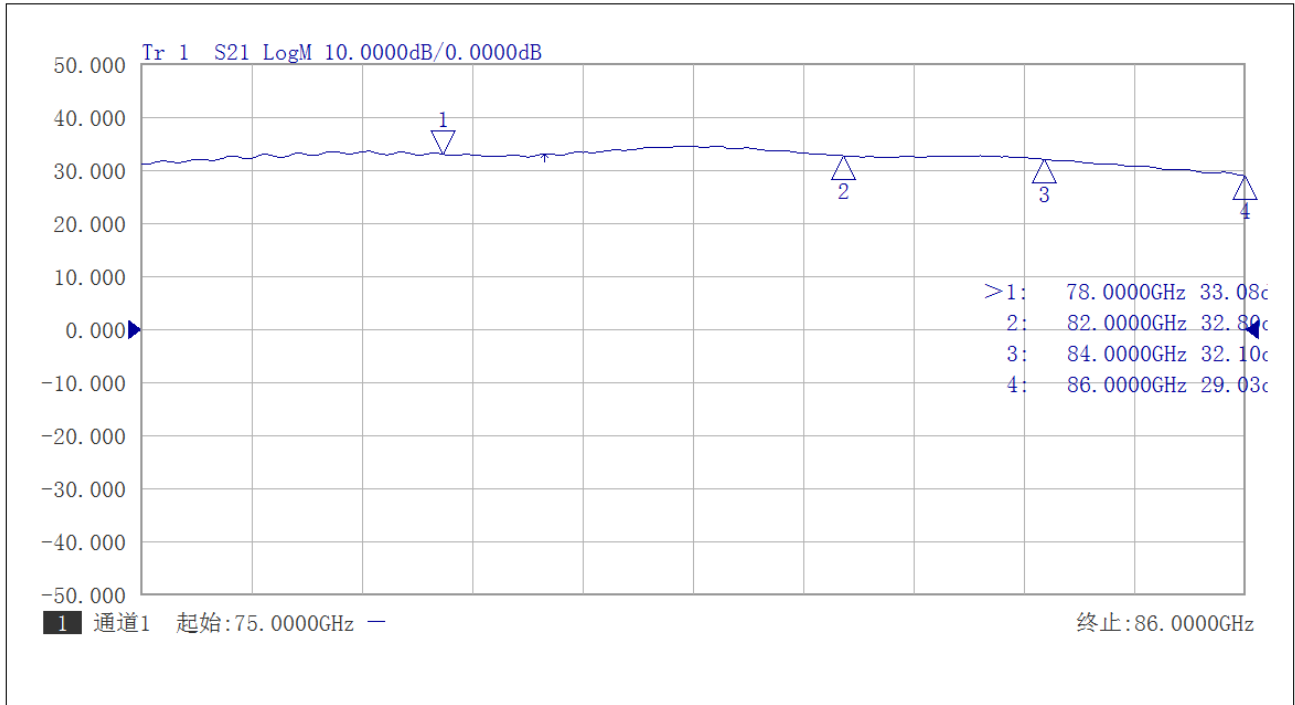




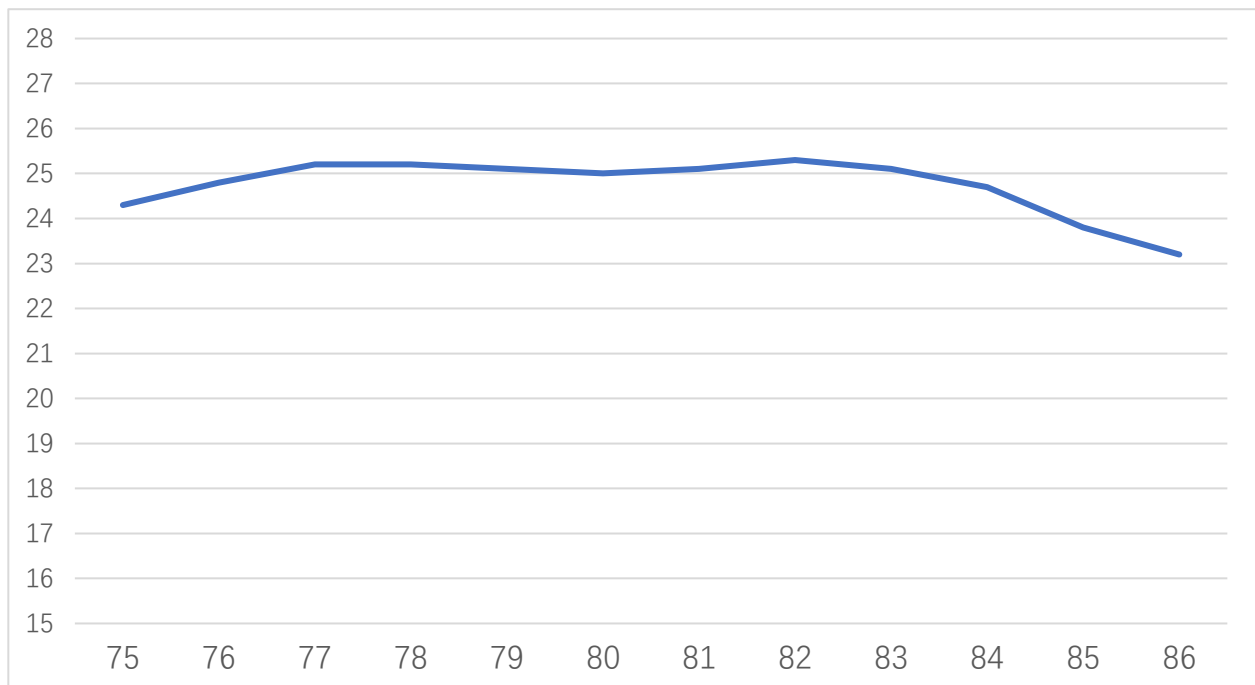
AT-PA-7586-3025-C10

75-86GHz Power Amplifier, Psat=+25dBm

Test Data:



Gain vs Frequency



Pout vs Frequency

Shanghai AT Microwave Limited

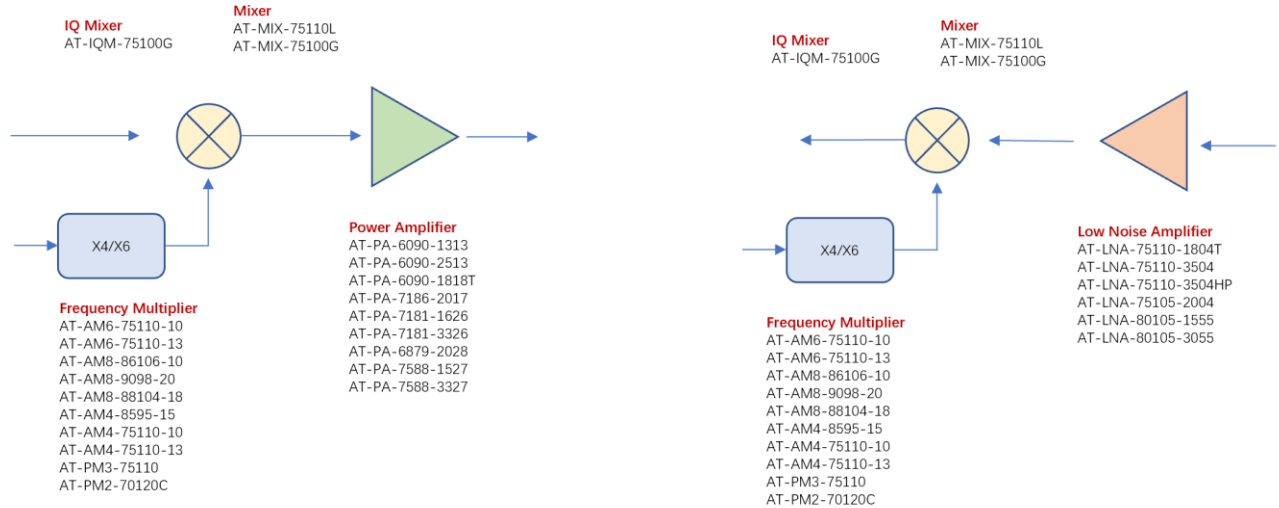
Tel:021-6229 1233

Email: sales@atmicrowave.com

www.atmicrowave.com



W BAND 75-110GHZ



Dimension: (unit in mm)

