

W Band Power Amplifier



Product Overview

AT-PA-75110-1620 is power amplifier with +20dBm output power in the frequency of 75-110GHz. The DC power requirement is +9V/475mA. The module is with a standard WR-10 waveguide.

The power amplifier has high gain, high linearity, low input/output return loss and flat gain response.

More information, please visit www.atmicrowave.com

Advantages

- ✓ Frequency: 75-110GHz
- ✓ Psat:+20Bm
- ✓ Small signal gain: 16dB
- ✓ Single Power Supply

Application

- ✓ W band Imaging
- ✓ FOD (Foreigner Objects Debris)
- ✓ Test Equipment
- ✓ ROF (RF Over Fiber)
- ✓ Radar System

Key Features

Parameter	Min	Typical	Max
Frequency		75-110GHz	
Gain		16dB	
Drain Supply		+9V	+12V
Quiescent Current/A (NO RF)		0.38A	
PSAT Current/A		0.48A	
P1Db		+15dBm	
Psat	+18dBm	+20dBm	
Input Return Loss		-7dB	
Output Return Loss		-7dB	
Temp Spec		25C	

Note: Heatsink and fan are required.





AT-PA-75110-1620N

75-110GHz Power Amplifier, Psat=+20dBm

Mechanical Information

Item	Description
Input Port	WR-10
Output Port	WR-10
Case Material	Copper
Finish	Gold Plated
Weight (Without Heatsink)	201g
Size:	57.5x33x20.4mm

Absolute Maximum Ratings Table

Parameter	Value
Drain Supply	+12V
RF Input Power	+15dBm
Operating Temperature	0 to +50C
Storage Temperature	-65 to +150C

Caution:

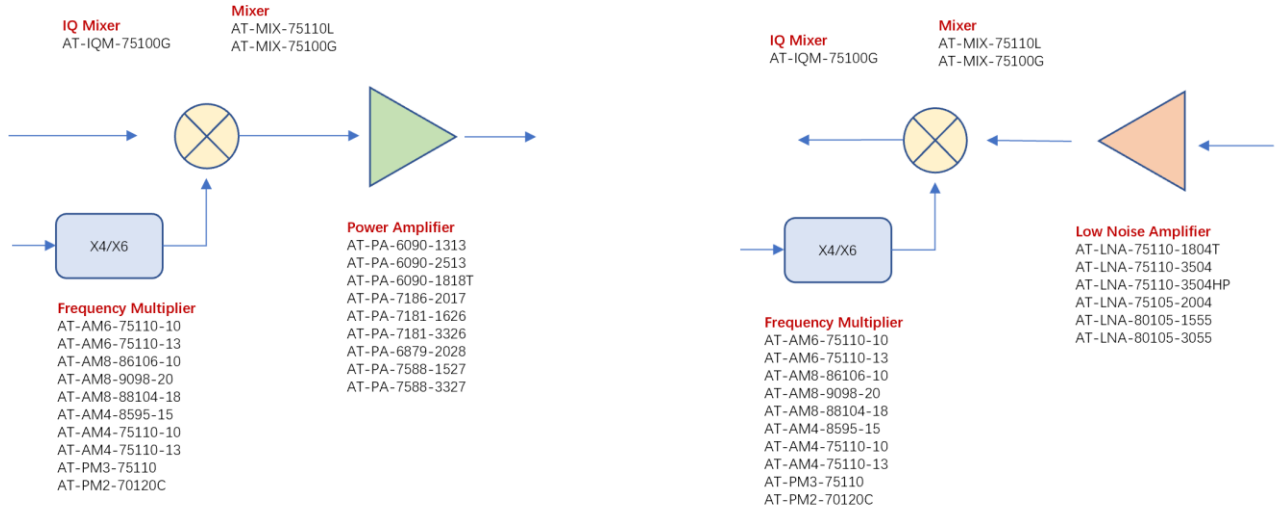
Please pay attention to the case temperature. If case temperature exceeds higher than +50C, heat sink and fan are required, or the amplifier may be damaged.

Notes:

1. Datasheet may be changed according to update of MMIC, Raw materials , process, and so on.
2. This data is only for reference, not for guaranteed specifications.
3. Please contact AT Microwave team to make sure you have the most current data.



W BAND 75-110GHZ



Dimension:(unit in mm)

