



AT-PA-6090-3518T

60-90GHz High Gain Power Amplifier

Full E Band, 60-90GHz Broadband Amplifier

Both Power Amplifier and Low Noise Amplifier



Product Overview

AT-PA-6090-3518T is a High Gain amplifier operating in the 60-90GHz frequency range with super low NF=5dB. The PA is packaged in a waveguide module using industry standard WR-12.

The amplifier can be used both as PA and Low Noise Amplifier. It has good performance for full E band, with gain=35dB, NF=5dB and Pout=+18dBm

More information, please visit www.atmicrowave.com.

Advantages

- ✓ Frequency: 60-90GHz
- ✓ Gain: 35dB
- ✓ NF: 5dB
- ✓ Pout=+18dBm
- ✓ Single Power Supply

Application

- ✓ E band Communication
- ✓ Test Equipment
- ✓ ROF (RF Over Fiber)
- ✓ Radar System

Key Features

Parameter	Min	Typical	Max
Frequency		60-90GHz	
Gain	32	35dB	
P1dB		+16dBm	
Psat		+18dBm	
NF		5dB	7dB
Drain Supply		+5V	+8V
Current		0.28A	0.35A
Input Return Loss		-8dB	
Output Return Loss		-8dB	
Spec Temp		25C	

Shanghai AT Microwave Limited

Tel:021-6229 1233

Email:sales@atmicrowave.com

www.atmicrowave.com





AT-PA-6090-3518T

60-90GHz High Gain Power Amplifier

Mechanical Information

Item	Description
Input Port	WR-12
Output Port	WR-12
Case Material	Copper
Finish	Gold Plated
Weight (Without Heatsink)	100g
Size:	45X25X20 mm

Absolute Maximum Ratings Table

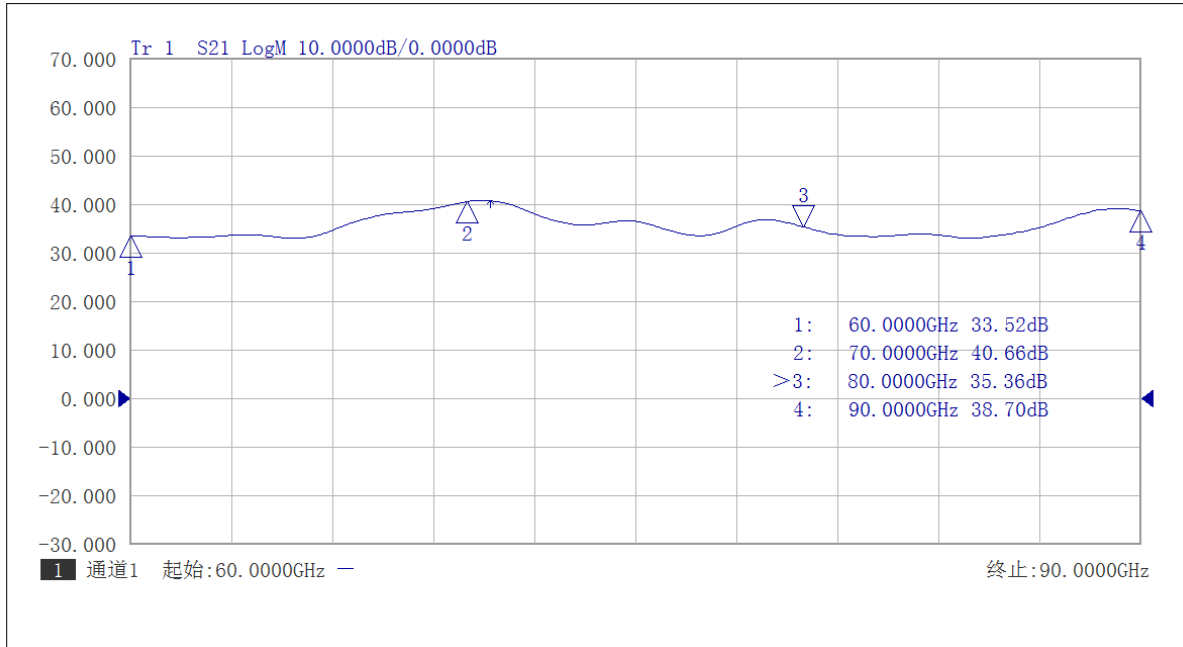
Parameter	Value
Drain Supply	+9V
RF Input Power	+10dBm
Operating Temperature	0 to +50C
Storage Temperature	-65 to +150C

Notes:

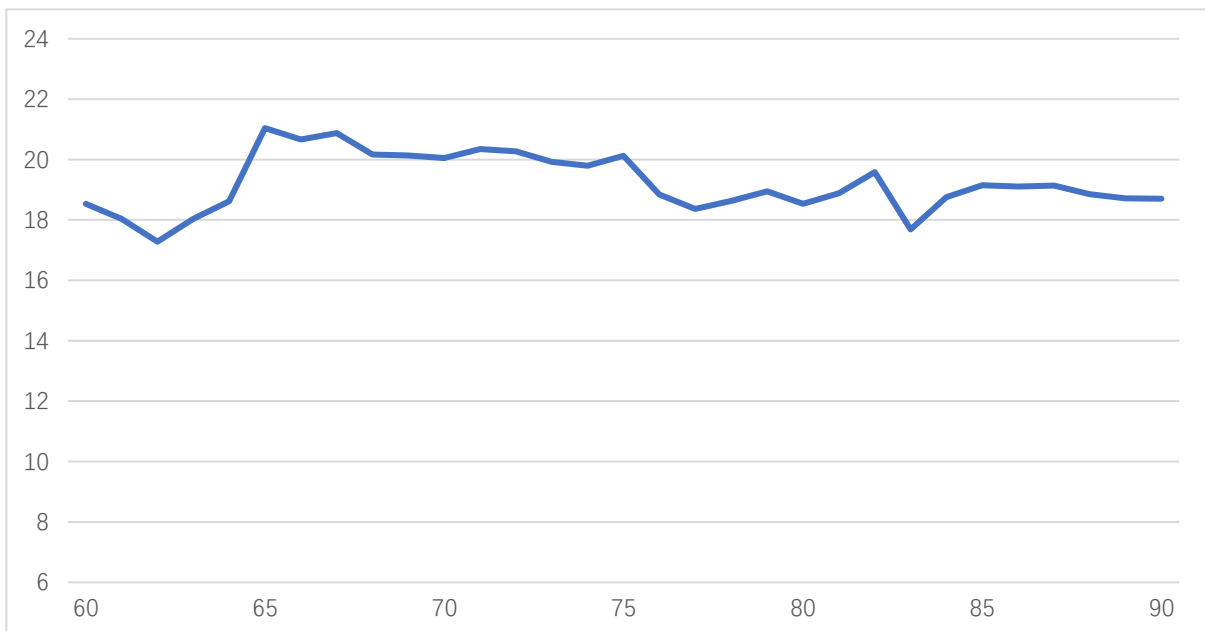
1. Datasheet may be changed according to update of MMIC, Raw materials , process, and so on.
2. This data is only for reference, not for guaranteed specifications.
3. Please contact AT Microwave team to make sure you have the most current data.



Test Data:

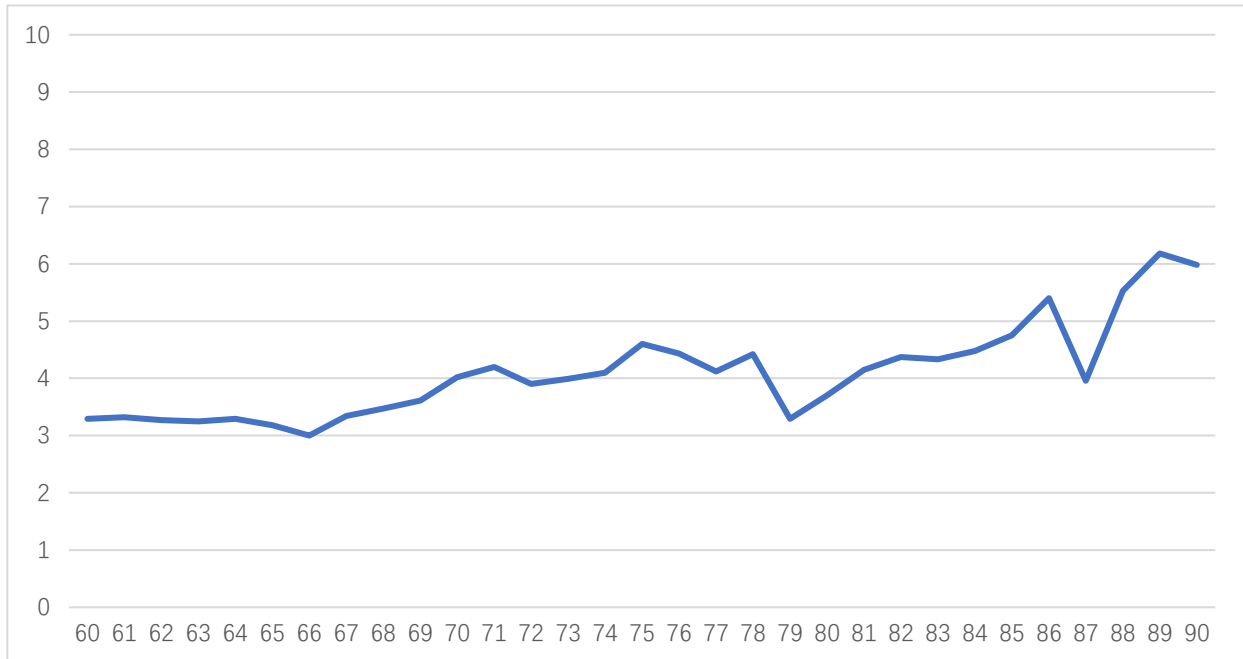


Gain vs Frequency



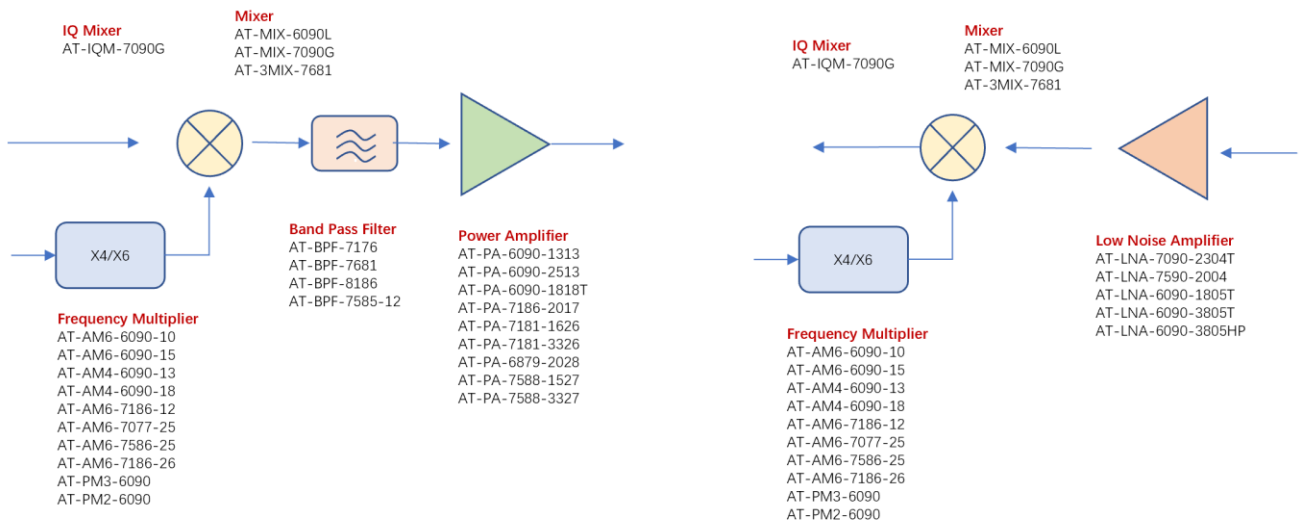
Psat vs Frequency





NF vs Frequency

E Band 60-90GHz



Dimension:

