

Full E Band Power Amplifier



Product Overview

AT-PA-6090-1818T is a full E Band power amplifier operating in the 60-90GHz frequency range with Pout=+18dBm. The PA is packaged in a waveguide module using industry standard WR-12.

GaAs pHEMT MMIC technology PA Chip is used, which ensures reliable and repeatable unit-to-unit result.

More information, please visit www.atmicrowave.com.

Advantages

- ✓ Frequency: 60-90GHz
- ✓ Gain: 18dB
- ✓ Pout=+18dBm
- ✓ Single Power Supply

Application

- ✓ E band Communication
- ✓ Test Equipment
- ✓ ROF (RF Over Fiber)
- ✓ Radar System

Key Features

Parameter	Min	Typical	Max
Frequency		60-90GHz	
Gain	15	18dB	
Drain Supply		+5V/180mA	+8V
P1dB		+16dBm	
Psat		+18dBm	
Input Return Loss		-10dB	
Output Return Loss		-10dB	
Spec Temp		25C	





AT-PA-6090-1818T

60-90GHz Broadband Power Amplifier

Mechanical Information

Item	Description
Input Port	WR-12
Output Port	WR-12
Case Material	Copper
Finish	Gold Plated
Weight (Without Heatsink)	100g
Size:	45X25X20 mm

Absolute Maximum Ratings Table

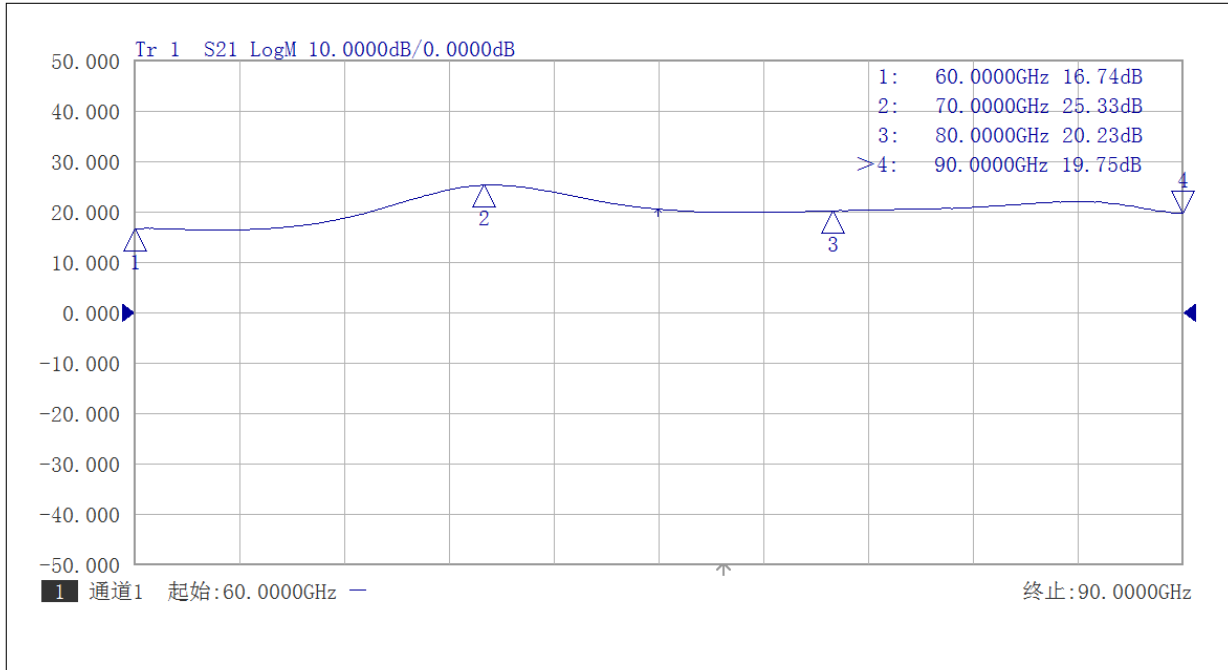
Parameter	Value
Drain Supply	+9V
RF Input Power	+10dBm
Operating Temperature	0 to +50C
Storage Temperature	-65 to +150C

Notes:

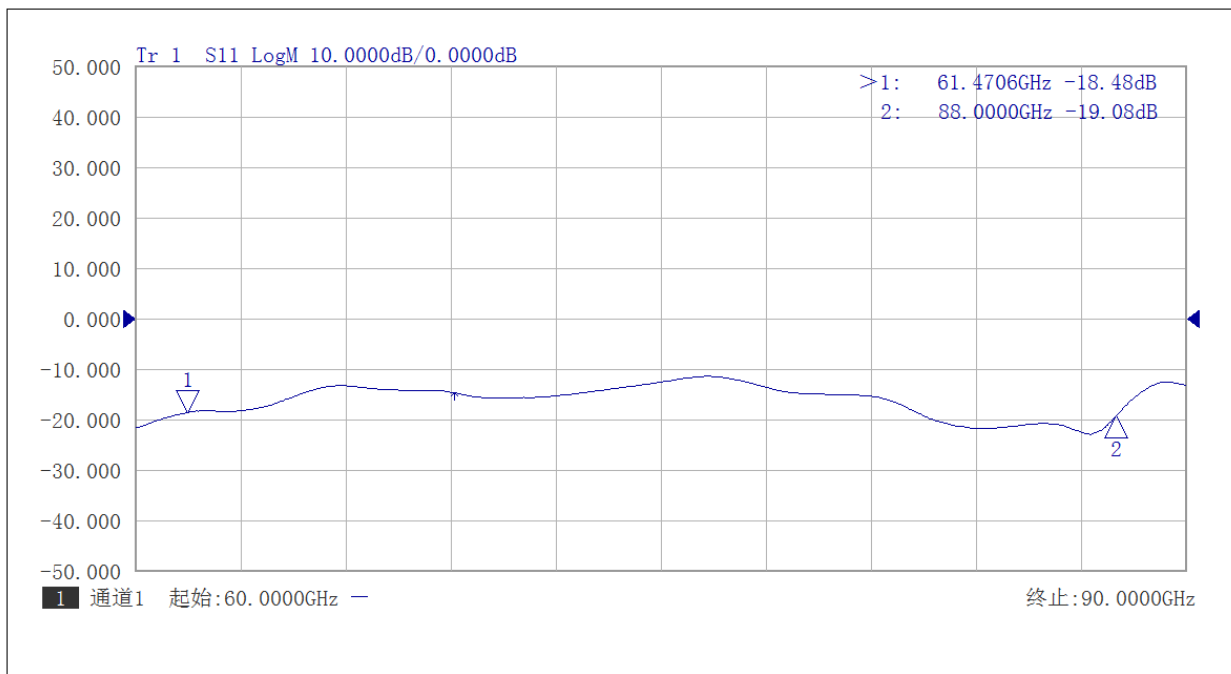
1. Datasheet may be changed according to update of MMIC, Raw materials , process, and so on.
2. This data is only for reference, not for guaranteed specifications.
3. Please contact AT Microwave team to make sure you have the most current data.



Test Data:

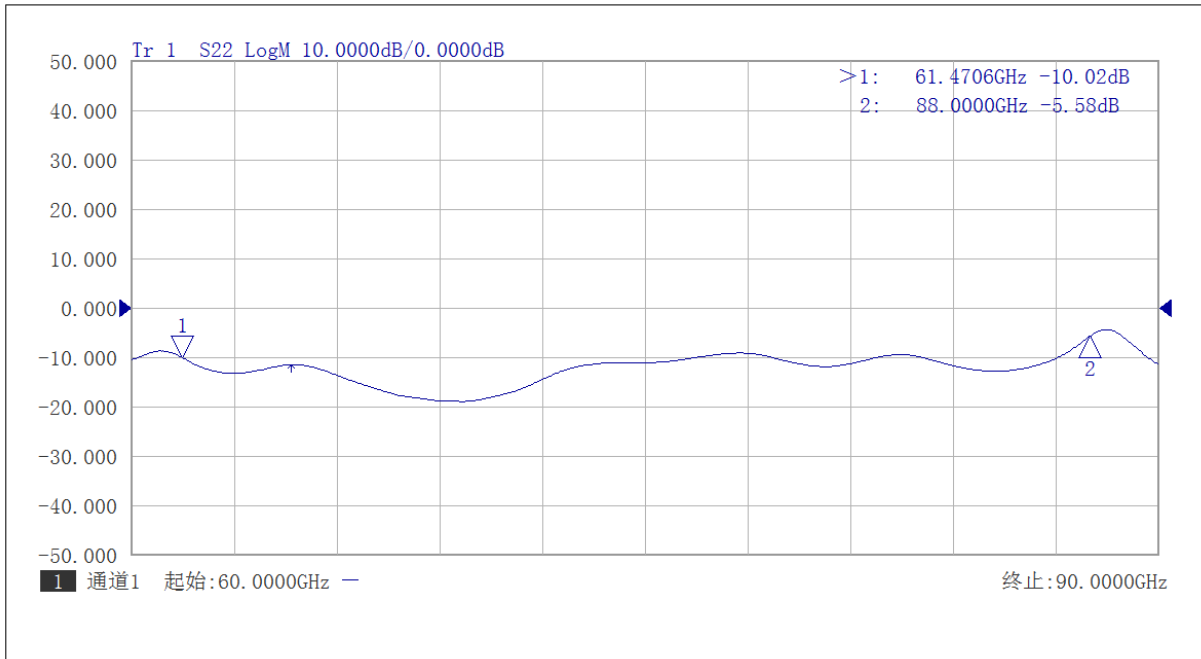


Gain vs Frequency

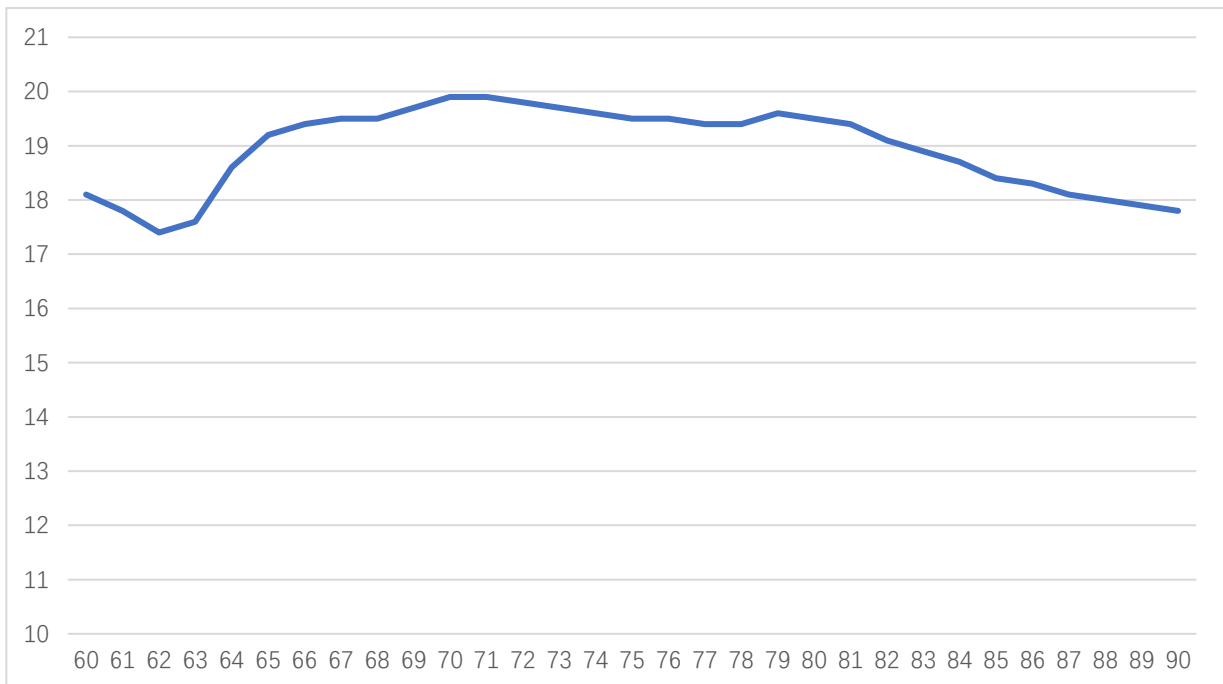


Input Return Loss vs Frequency



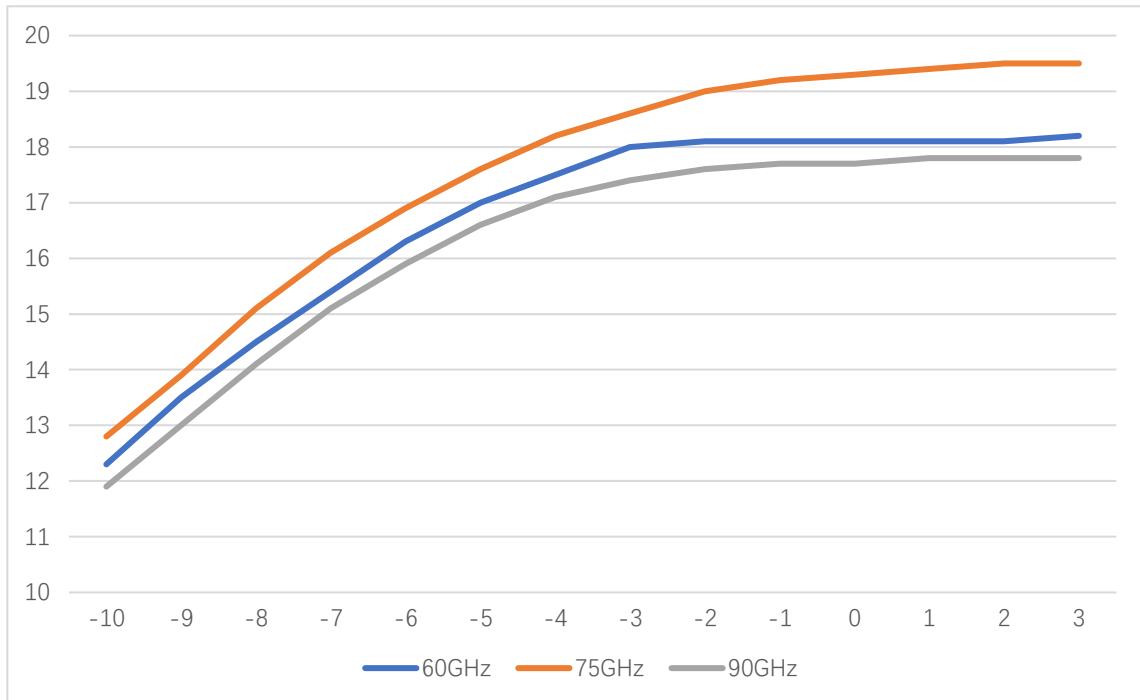


Output Return Loss vs Frequency



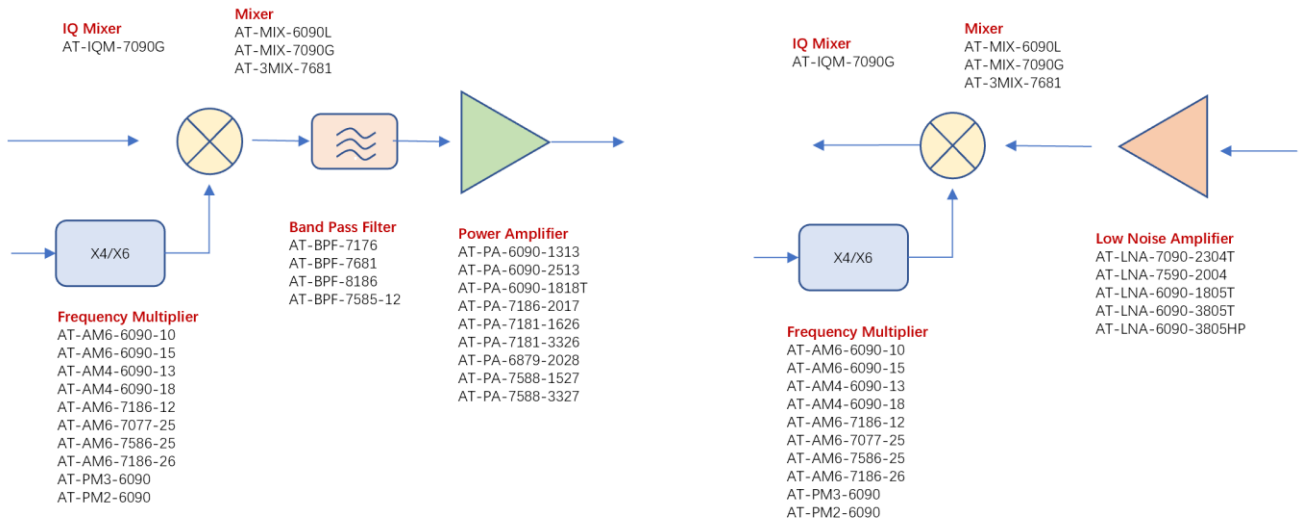
Psat vs Frequency





Pout vs Pin at 60/75/90GHz

E Band 60-90GHz



Dimension:

