



AT-PA-6090-1620

60-90GHz Power Amplifier, $P_{sat}=+20dBm$

Full E Band Power Amplifier

60-90GHz, Gain=16dB, $P_{out}=+20dBm$, WR-12



Product Overview

AT-PA-6090-1620 is power amplifier with +20dBm output power in the frequency of 60-90GHz. The DC power requirement is +9V/350mA. The module is with a standard WR-12 waveguide.

The power amplifier has high gain, high linearity, low input/output return loss and flat gain response.

More information, please visit www.atmicrowave.com

Advantages

- ✓ Frequency: 60-90GHz
- ✓ P_{sat} :+20Bm
- ✓ Small signal gain: 16dB
- ✓ Single Power Supply

Application

- ✓ E band Imaging
- ✓ FOD (ForeiGNr Objects Debris)
- ✓ Test Equipment
- ✓ ROF (RF Over Fiber)
- ✓ Radar System

Key Features

| Parameter | Min | Typical | Max |
|-----------------------------|--------|----------|------|
| Frequency | | 60-90GHz | |
| Gain | 14dB | 16dB | |
| Drain Supply | | +9V | +12V |
| Quiescent Current/A (NO RF) | | 0.35A | |
| PSAT Current/A | | 0.45A | 0.6A |
| P1dB | | +16dBm | |
| P_{sat} | +19dBm | +20dBm | |
| Input Return Loss | | -7dB | |
| Output Return Loss | | -7dB | |
| Temp Spec | | 25C | |

Note: Heatsink and fan are required.

Shanghai AT Microwave Limited

Tel:021-6209 1233

Email:sales@atmicrowave.com

www.atmicrowave.com





AT-PA-6090-1620

60-90GHz Power Amplifier, Psat=+20dBm

Mechanical Information

| Item | Description |
|---------------------------|-------------|
| Input Port | WR-12 |
| Output Port | WR-12 |
| Case Material | Copper |
| Finish | Gold Plated |
| Weight (Without Heatsink) | 201g |
| Size: | See outline |

Absolute Maximum Ratings Table

| Parameter | Value |
|-----------------------|-------------|
| Drain Supply | +12V |
| RF Input Power | +15dBm |
| Operating Temperature | 0 to +50C |
| Storage Temperature | -45 to +85C |

Notes:

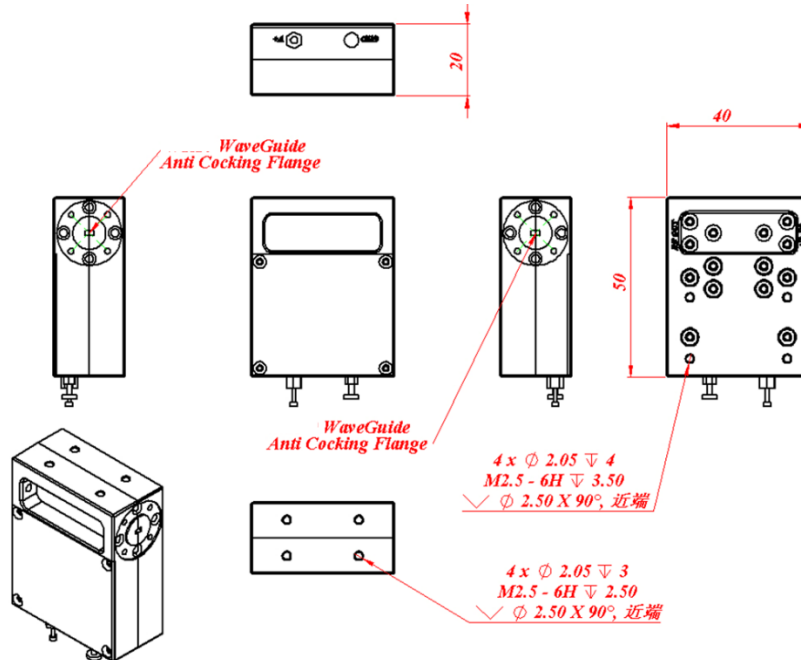
1. Datasheet may be changed according to update of MMIC, Raw materials , process, and so on.
2. This data is only for reference, not for guaranteed specifications.
3. Please contact AT Microwave team to make sure you have the most current data.

Part Number Selection Guide

| Item | Description |
|----------------|---|
| PN | Standard Module with DC Power Supply |
| PN-LCBT | L ow Cost, C ompact B ench- T op, +220V Supply with AC/DC Adapter |

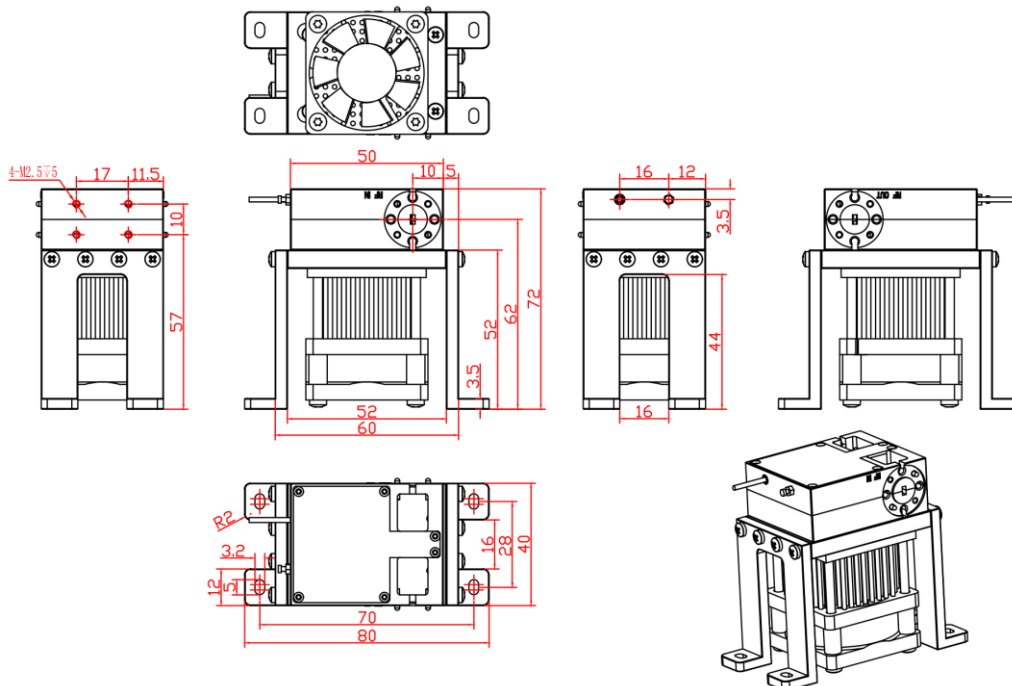


Outline without heatsink:(unit in mm)



Heatsink and Fan required during operation.

Dimension with heatsink and Fan: (unit in mm)



AT Microwave provides heatsink and Fan in default.

Customer can remove the heatsink and Fan if using own heatsink system.

