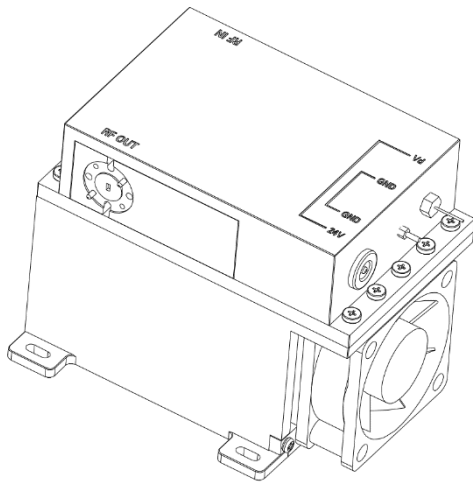


57-66GHz High Power Amplifier

Gain=37dB, Pout=+35dBm

2022-3-15



Product Overview

AT-PA-5766-3735GN is GaN Based high power amplifier with +35dBm output power in the frequency of 57-66GHz. This module can be used with AC Power supply (with AC/DC Adapter) or DC Power supply.

The power amplifier has high gain, high linearity, low input/output return loss and flat gain response.

More information, please visit www.atmicrowave.com

Advantages

- ✓ Frequency: 57-66GHz
- ✓ Psat:+35dBm
- ✓ Small signal gain: 37dB
- ✓ Single Power Supply

Application

- ✓ W Band Communication
- ✓ Test Equipment
- ✓ ROF (RF Over Fiber)
- ✓ Radar System

Key Features

Parameter	Min	Typical	Max
Frequency		57-66GHz	
Small Signal Gain	35dB	37dB	
Psat	+34dBm	+35dBm	
DC Power Supply Option	+20V	24V/1.8A	+28V
AC Power Supply Option	+90V	+220V	+240V
Power Consumption		40W	
Input Return Loss		-7dB	
Output Return Loss		NO TEST	
Spec Temp		25C	



Mechanical Information

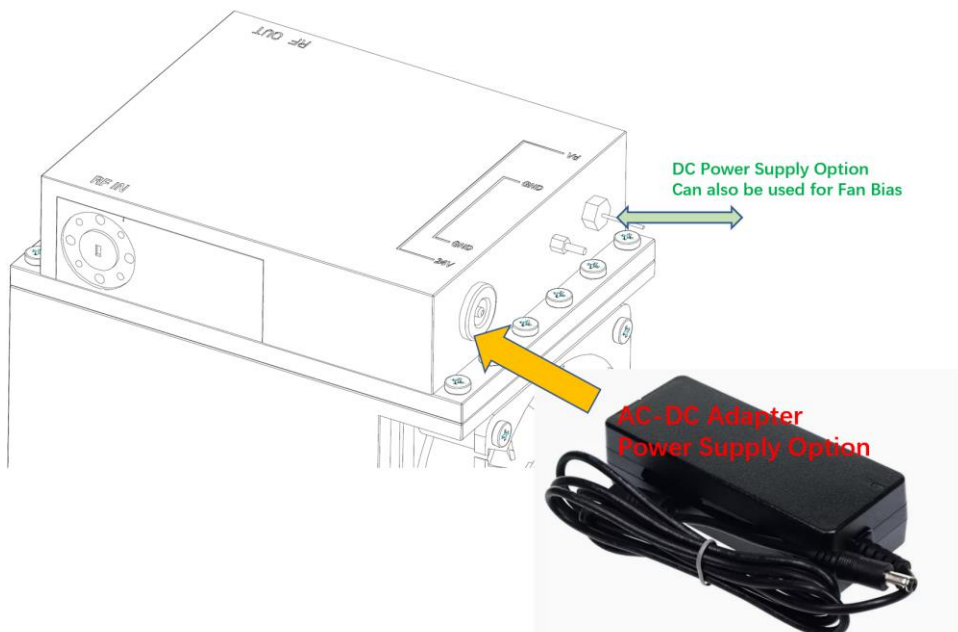
Item	Description
Input Port	WR-15
Output Port	WR-15
Case Material	Copper
Finish	Gold Plated
Weight (Without Heatsink)	TBD
Size:	See outline

Absolute Maximum Ratings Table

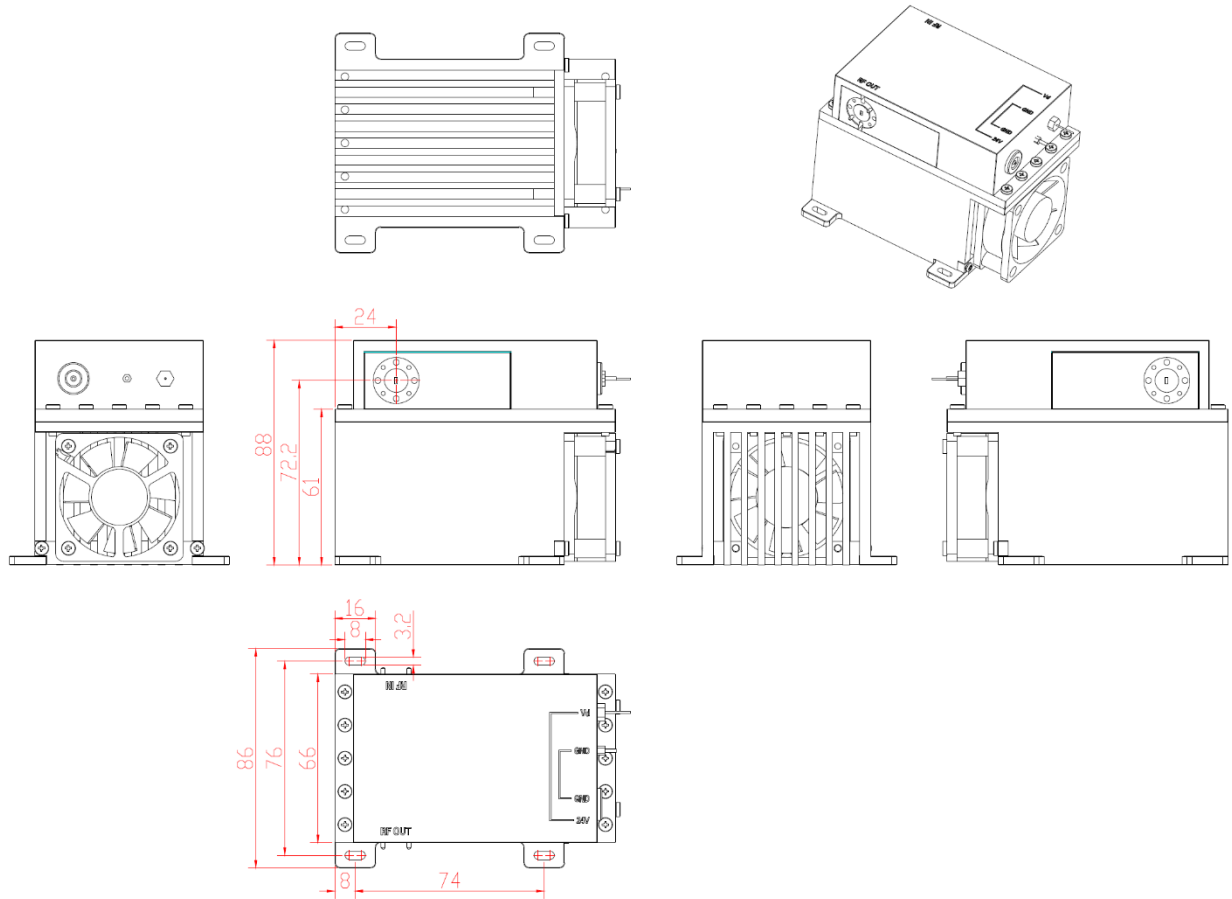
Parameter	Value
Drain Supply	+24V
RF Input Power	+10dBm
Operating Temperature	0 to +50C
Storage Temperature	-65 to +150C

Power Supply Guide.

1. AC Power supply with AC/DC Adapter; PIN VDD Output=24V, can be used for Fasn bias.
2. DC Power Supply from PIN VDD.
3. AT Microwave provide AC/DC apdater, hearsink and Fan in default.



Dimension with Heatsink and Fan In Default: (unit mm)



Outline wit heatsink and Fan in default
 Customer can remove the heatsink and Fan if using their own heatsink system.

