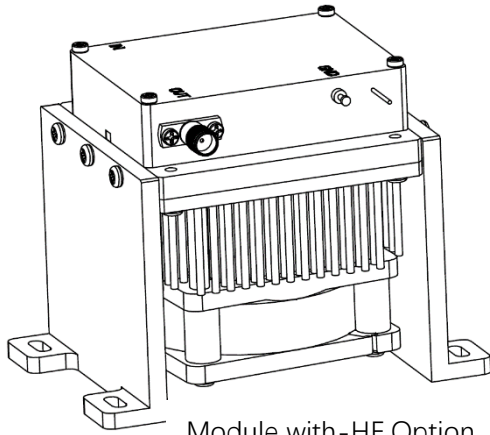


### 57-66GHz Broadband Amplifier, +26dBm 2023-5-5



Module with -HF Option

#### Product Overview

AT-PA-5766-2326VG is high gain power amplifier with +26dBm output power in the frequency of 57-66GHz. The DC power requirement is +5V/2.25A. The module is with 1.85mm connector.

The power amplifier has high gain, high linearity, low input/output return loss and flat gain response.

information, please visit [www.atmicrowave.com](http://www.atmicrowave.com)

#### Advantages

- ✓ Frequency: 57-66GHz
- ✓ Pout:+26dBm
- ✓ Small signal gain: 23dB
- ✓ Single Power Supply

#### Application

- ✓ 5G Communication
- ✓ Test Equipment
- ✓ ROF (RF Over Fiber)
- ✓ Radar System

#### Key Features

Parameter	Min	Typical	Max
Frequency		57-66GHz	
Gain	21dB	23dB	
Gain Flatness		+/-2.5dB	
P1dB	+23dBm	+24dBm	
Psat	+25dBm	+26dBm	
Drain Supply		+5V	+6V
Current/Quiescent		1.8A	
IDD Psat		2.25A	2.5A
Input Return Loss		-6dB	
Output Return Loss		-6dB	
Spec Temp		25C	





# AT-PA-5766-2326VG

57-66GHz Power Amplifier

## Mechanical Information

Item	Description
Input Port	1.85mm Female
Output Port	1.85mm Female
Case Material	Copper
Finish	Gold Plated
Weight	230g
Size:	SEE OUTLINE

## Absolute Maximum Ratings Table

Parameter	Value
Drain Supply	+7V
RF Input Power	+15 dBm
Operating Temperature	-40 to +85C
Storage Temperature	-55 to +125C

## Notes:

1. Datasheet may be changed according to update of MMIC, Raw materials , process, and so on.
2. This data is only for reference, not for guaranteed specifications.
3. Please contact AT Microwave team to make sure you have the most current data.

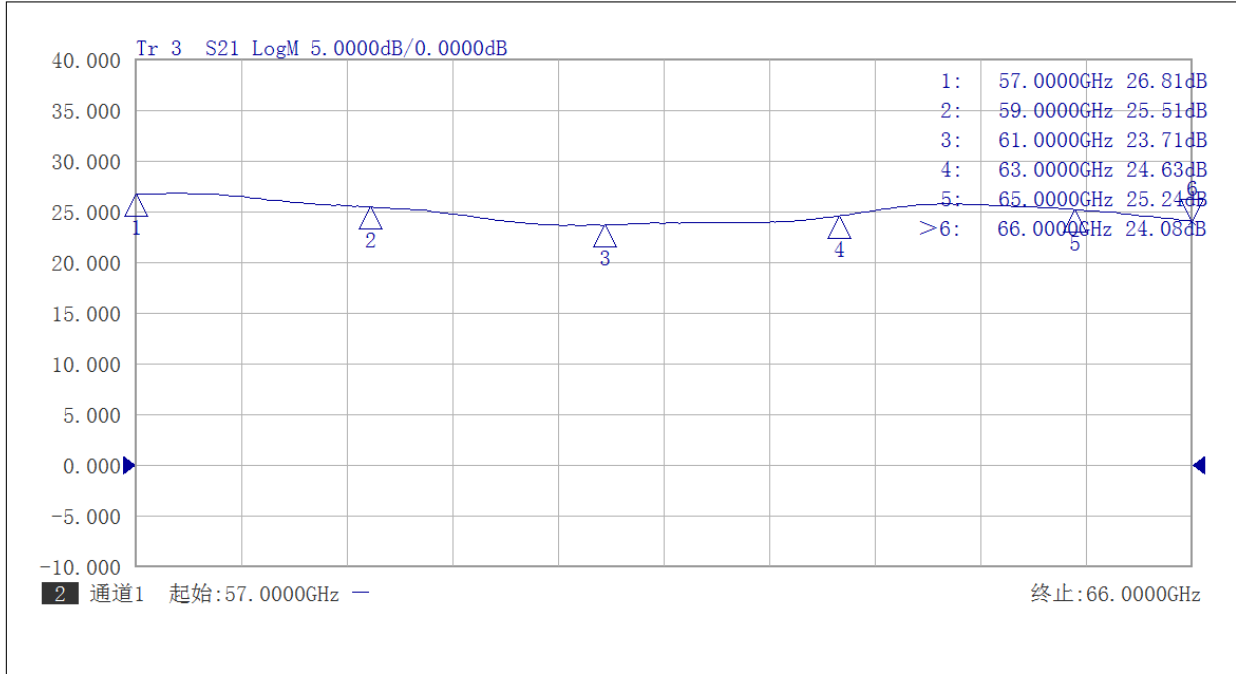
## Part Number Selection

Item	Description
AT-PA-5766-2326VG	In defaulted without heatsink and Fan. Heatsink and Fan required during operation.
AT-PA-5766-2326VG <b>-HF</b>	Including Heatsink and Fan. Fan bias is connected with PA Module's Vdd supply
AT-PA-5766-2326VG <b>-LCBT</b>	<u>L</u> ow Cost, <u>C</u> ompact <u>B</u> ench- <u>T</u> op, Heatsink included. +220V Supply with AC/DC Adapter
AT- <b>BT</b> PA-5766-2326VG	Bench-top Option AC Power Supply Directly

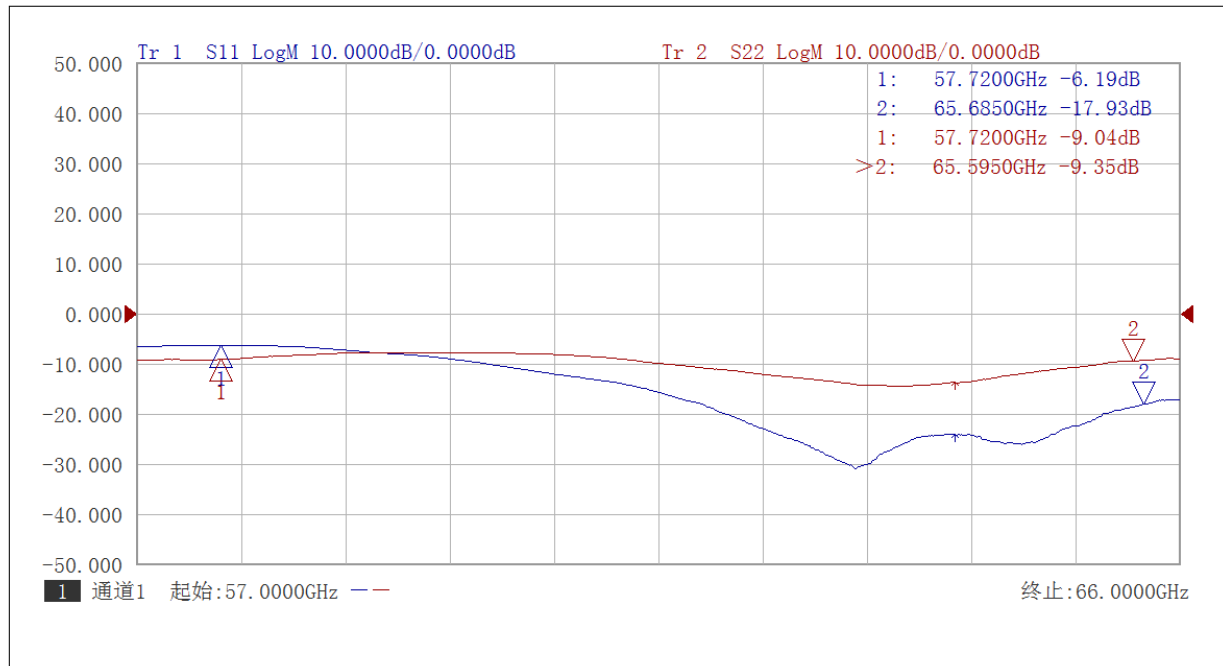


### Test Data (25C)

Please note that test curves will vary slightly from unit to unit.

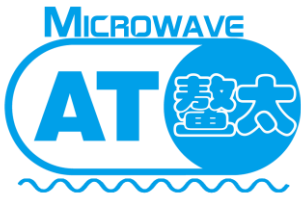


Gain vs Frequency



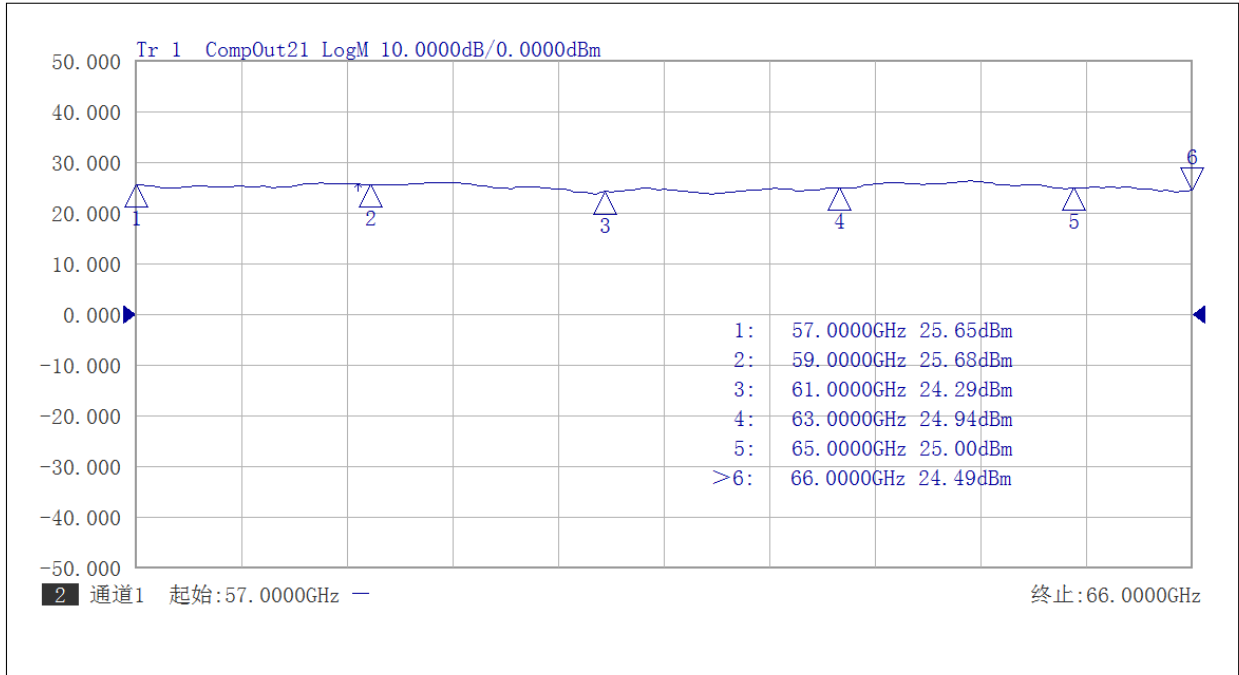
Return Loss vs Frequency



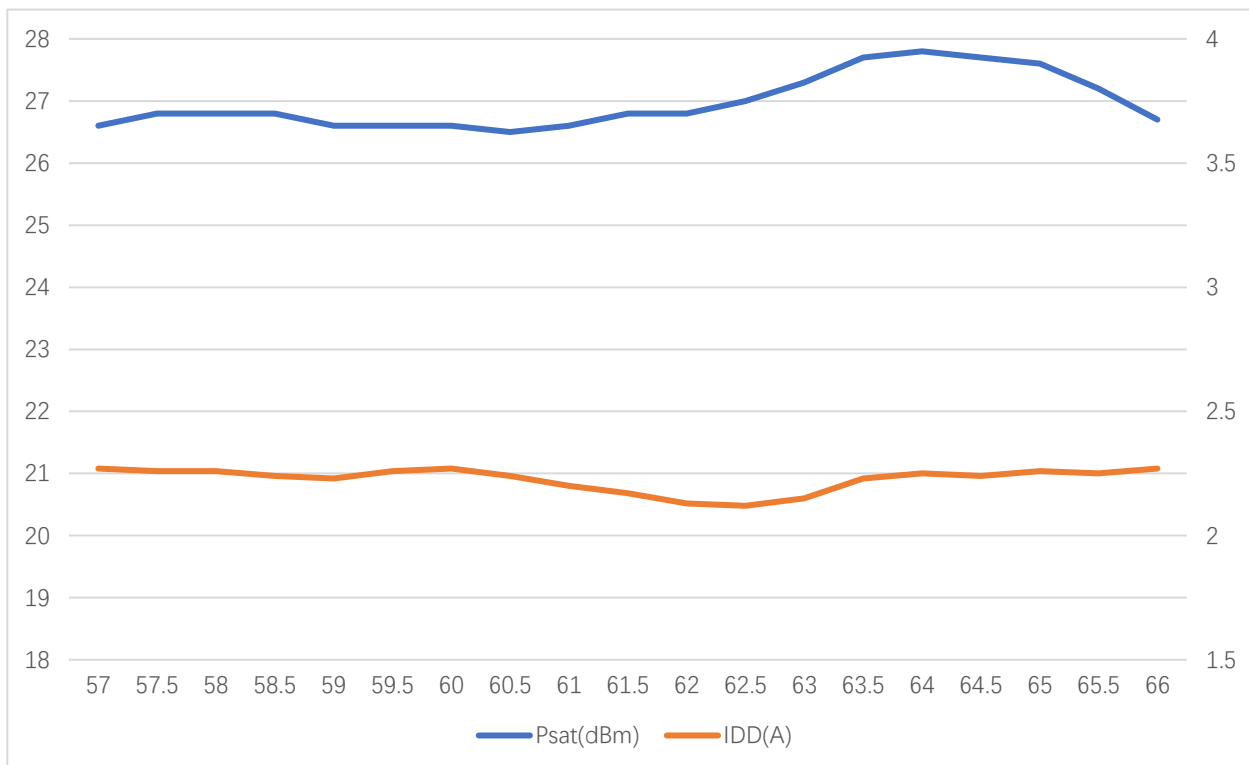


# AT-PA-5766-2326VG

57-66GHz Power Amplifier

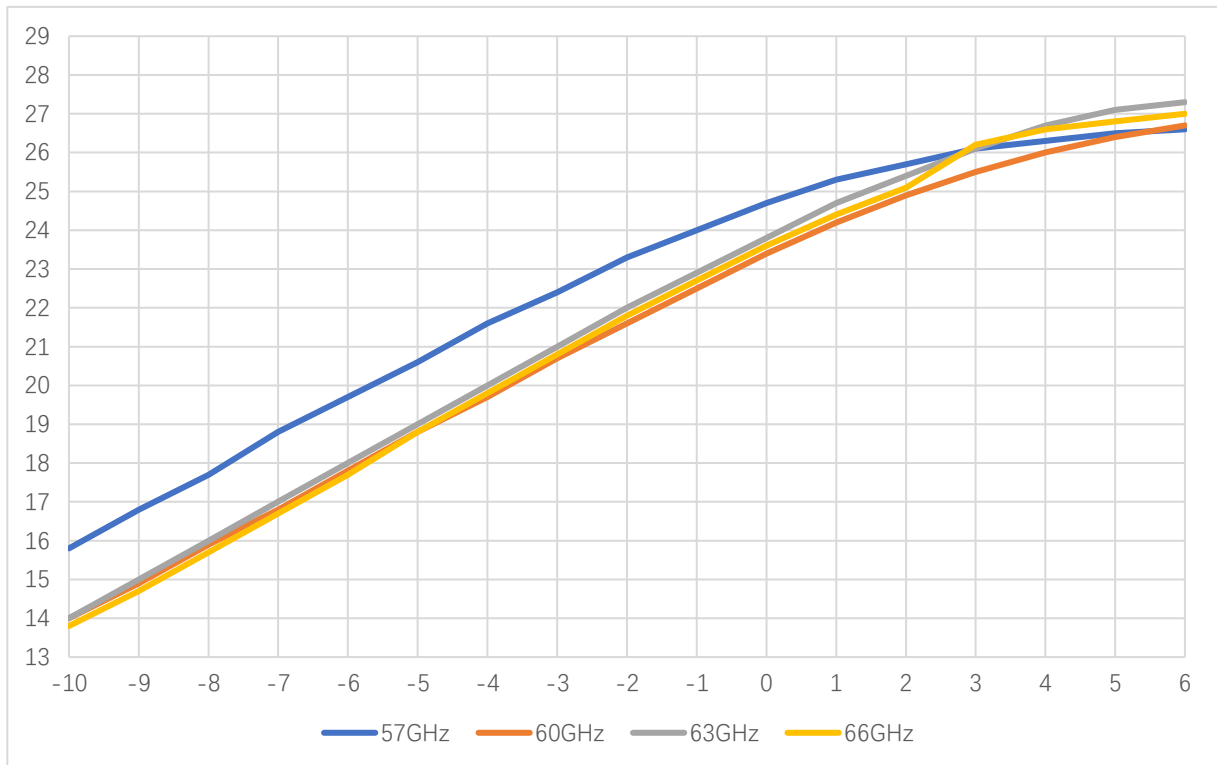


P1dB vs Frequency

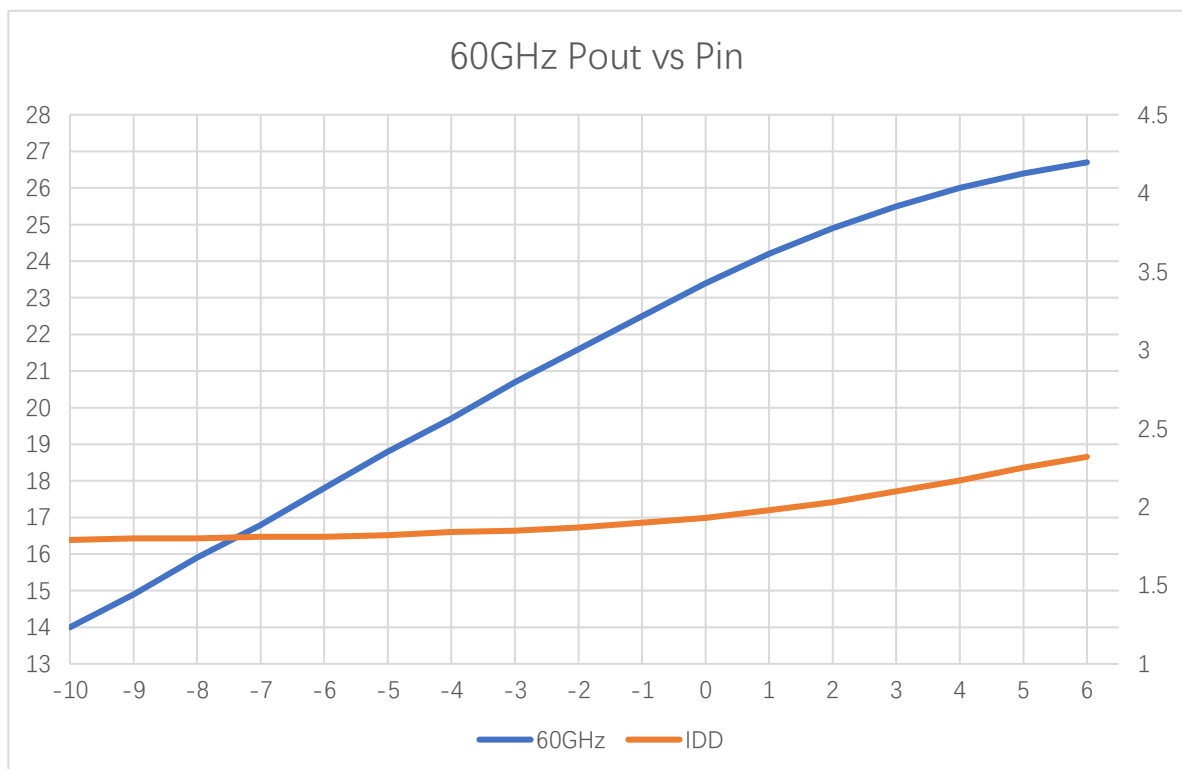


Psat and IDD vs Frequency





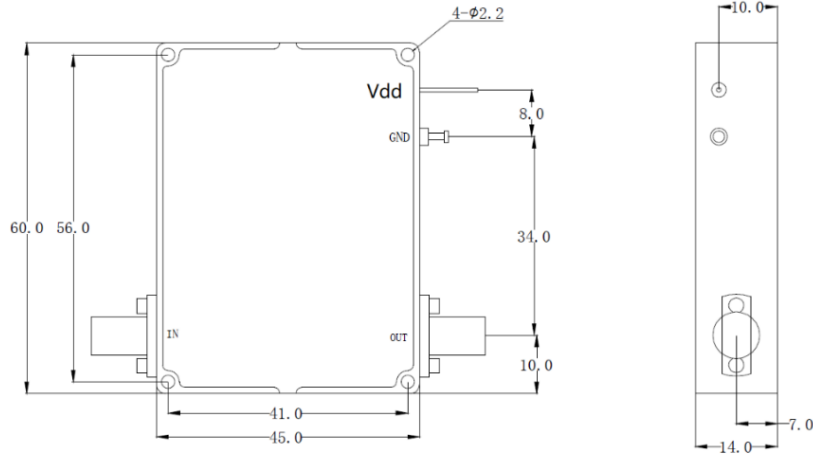
Pout vs Pin at 57/60/63/66GHz



Pout and IDD vs Pin at 60GHz



### Dimension without Heatsink: (unit mm)

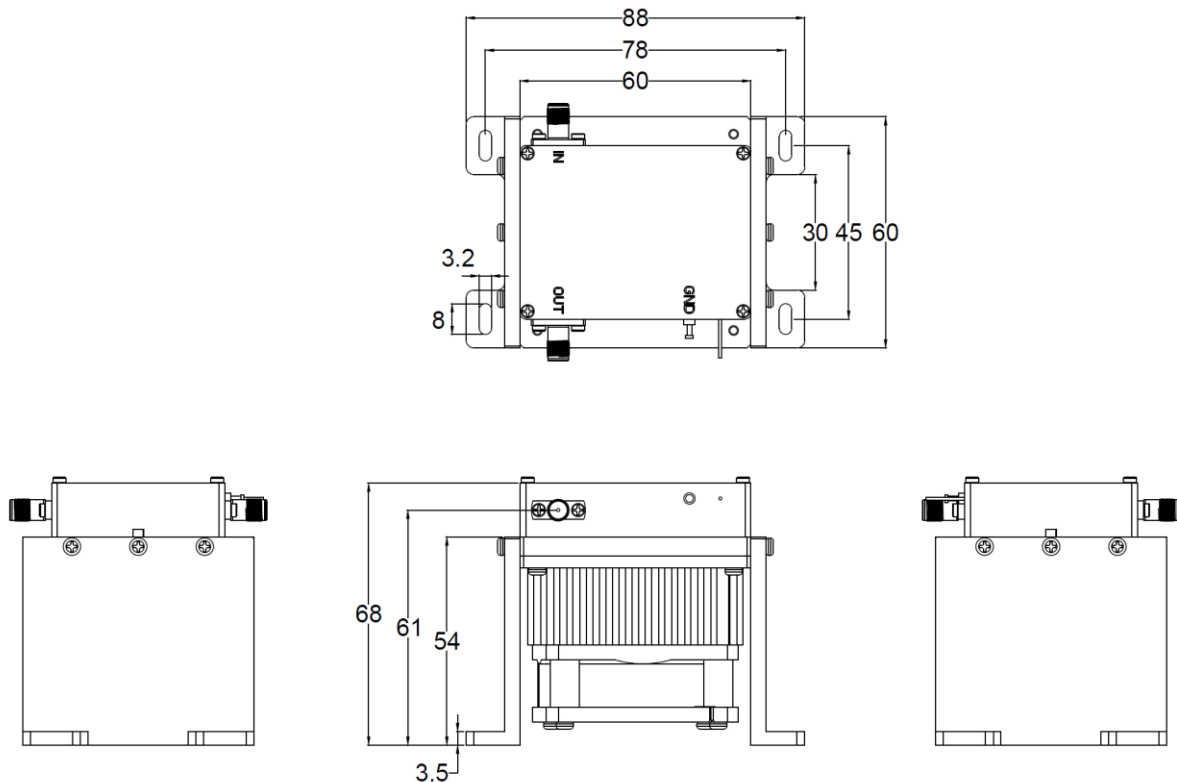


	<26.5GHz	<40GHz	<50GHz	<67GHz
Connector	SMA	2.92mm	2.4mm	1.85mm
Length of a	9.4mm	9.5mm	10.8mm	11.3mm

Note: Female Default. Contact with us for other types.

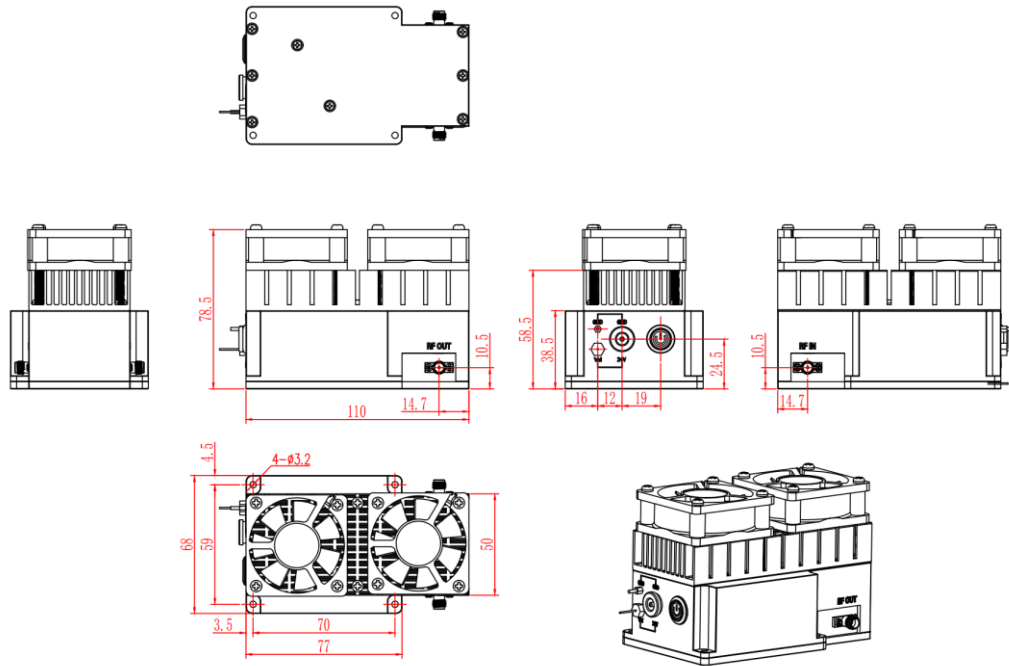
Outline without heatsink. Heat Sink Required During Operation

### -HF Option Dimension with Heatsink and Fan: (unit mm)



### -LCBT Option Dimension (unit mm)

Low Cost, Compact Bench-Top with 220V AC/DC Adapter



### -BT Bench-top Dimension (unit mm)

