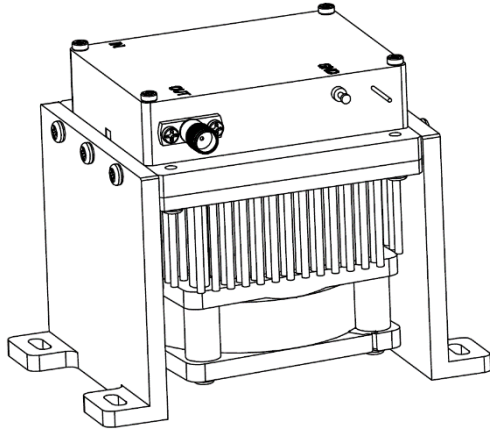


57-63GHz Broadband Amplifier, +35dBm

2022-3-7



Product Overview

AT-PA-5763-4035VGN is high gain power amplifier with +35dBm output power in the frequency of 57-63GHz. The DC power requirement is +20V/3A. The module is with 1.85mm connector.

The power amplifier has high gain, high linearity, low input/output return loss and flat gain response.

More information, please visit www.atmicrowave.com

Advantages

- ✓ Frequency: 57-63GHz
- ✓ Pout:+35dBm
- ✓ Small signal gain: 40dB
- ✓ Single Power Supply

Application

- ✓ 5G Communication
- ✓ Test Equipment
- ✓ ROF (RF Over Fiber)
- ✓ Radar System

Key Features

Parameter	Min	Typical	Max
Frequency		57-63GHz	
Gain	35dB	40dB	
P1dB		TBD	
Psat	+34dBm	+35dBm	
Drain Supply		+20V	+22V
Current/Quiscent		1.8A	
IDD Psat		3A	
Input Return Loss		-10dB	
Output Return Loss		-7dB	
Spec Temp		25C	





AT-PA-5763-4035VGN

57-63GHz Power Amplifier

Mechanical Information

Item	Description
Input Port	1.85mm Female
Output Port	1.85mm Female
Case Material	Copper
Finish	Gold Plated
Weight (Without Heatsink)	150g
Size:	See outline

Absolute Maximum Ratings Table

Parameter	Value
Drain Supply	+24V
RF Input Power	+15 dBm
Operating Temperature	-20 to +70C
Storage Temperature	-67 to +150C

Caution:

Please pay attention to the case temperature.

If case temperature exceeds +50C, heat sink and fan are required.

Bias Procedure:

Make sure GND is connected before Vdd Power ON.

Module may be damaged when Vdd Power ON without GND.

Notes:

1. Datasheet may be changed according to update of MMIC, Raw materials , process, and so on.
2. This data is only for reference, not for guaranteed specifications.
3. Please contact AT Microwave team to make sure you have the most current data.

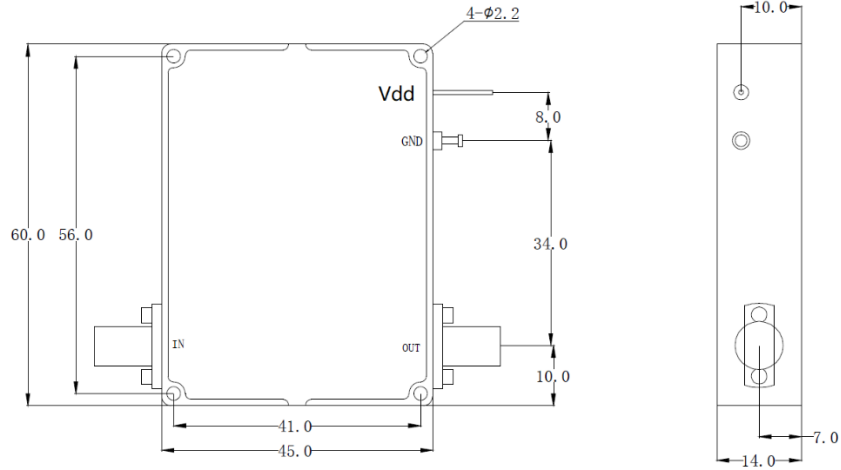
Test Data

Please note that test curves will vary slightly from unit to unit.

To be added.



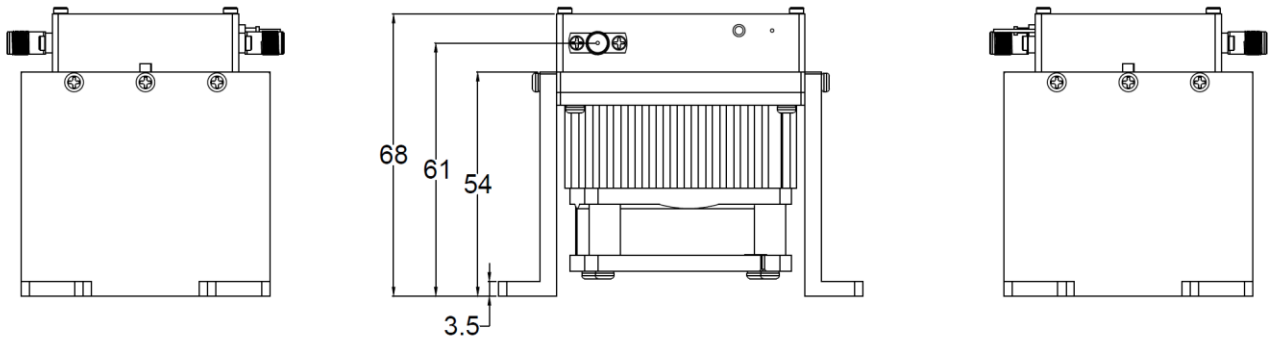
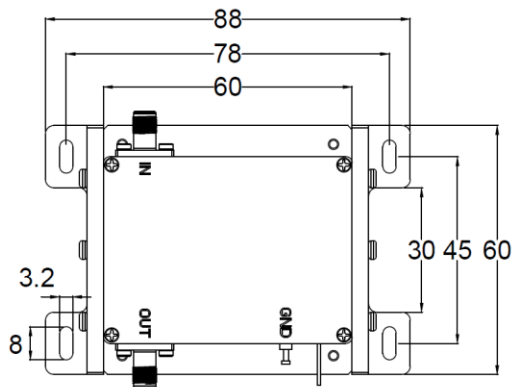
Dimension: (unit mm)



	<26.5GHz	<40GHz	<50GHz	<67GHz
Connector	SMA	2.92mm	2.4mm	1.85mm
Length of a	9.4mm	9.5mm	10.8mm	11.3mm

Note: Female Default. Contact with us for other types.

Outline without heatsink. Heat Sink Required During Operation



Outline-HF option with heatsink

