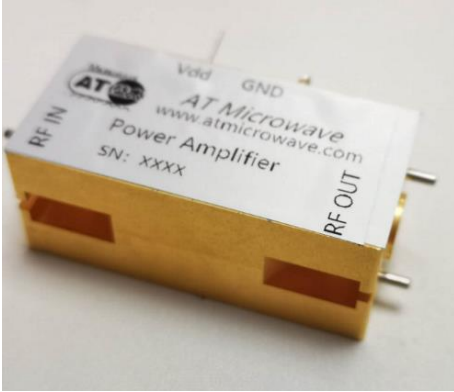


V Band High Power Amplifier



Product Overview

AT-PA-5075-1820 is high power amplifier with +20dBm output power in the frequency of 50-75GHz. The DC power requirement is +5V/400mA. The module is with a standard WR-15 waveguide.

The power amplifier has high gain, high linearity, low input/output return loss and flat gain response.

More information, please visit www.atmicrowave.com

Advantages

- ✓ Frequency: 50-75GHz
- ✓ Psat:+20dBm
- ✓ Small signal gain: 18dB
- ✓ Single Power Supply

Application

- ✓ V Band Communication
- ✓ Test Equipment
- ✓ ROF (RF Over Fiber)
- ✓ Radar System

Key Features

Parameter	Min	Typical	Max
Frequency		50-75GHz	
Gain	16	18dB	
P1Db		+18dBm	
Psat		+20dBm	
Drain Supply		+5V	+7V
Current		400 mA	
Input Return Loss		-8dB	
Output Return Loss		-10dB	
RF In/Output Connector		WR-15	
Dimension		40x25x20 mm	
Material		Brass	





AT-PA-5075-1820

50-75GHz Medium Power Amplifier

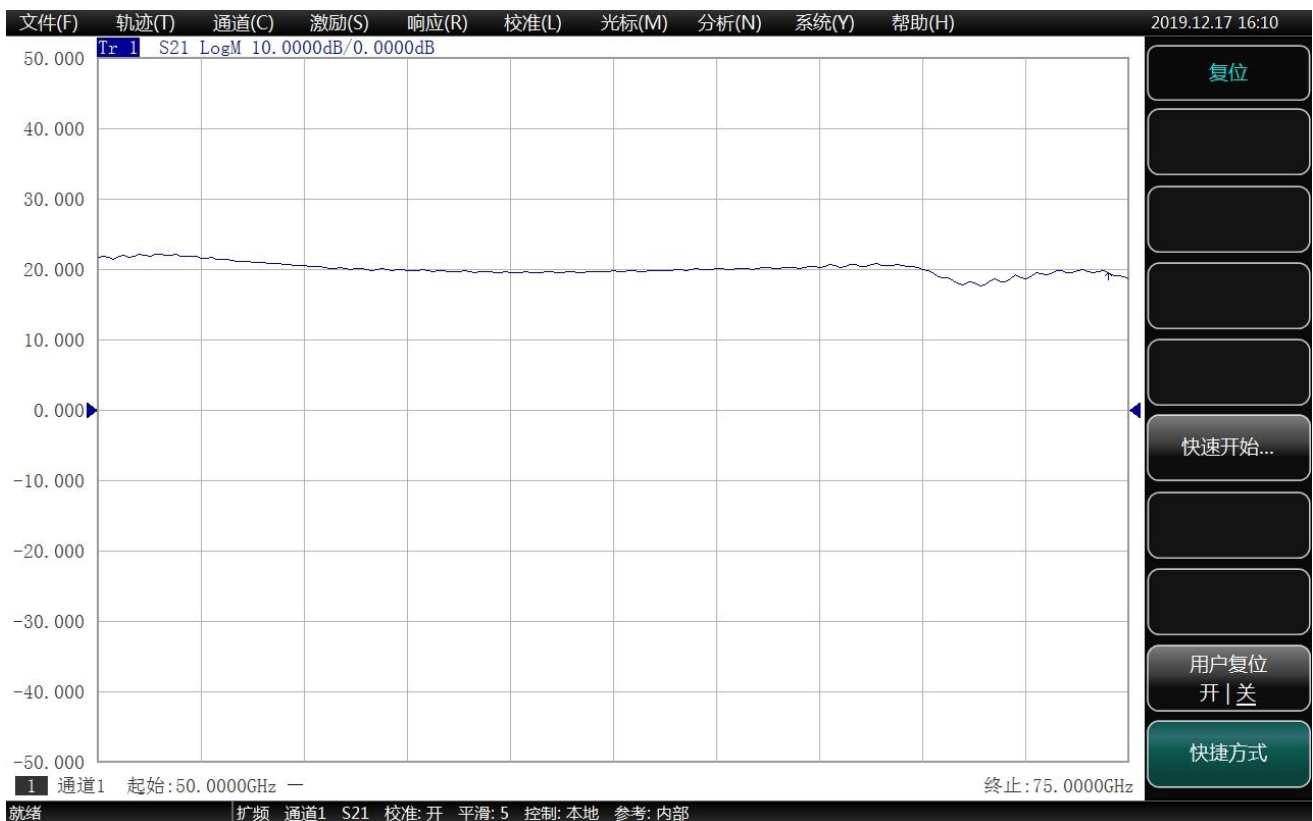
Absolute Maximum Ratings Table

Parameter	Value
Drain Supply	+8V
RF Input Power	+10dBm
Operating Temperature	0 to +50C
Storage Temperature	-65 to +150C

Caution:

Please pay attention to the case temperature. If case temperature exceed higher than +50C, heat sink and fan are required, or the amplifier may be damaged.

Dimension:



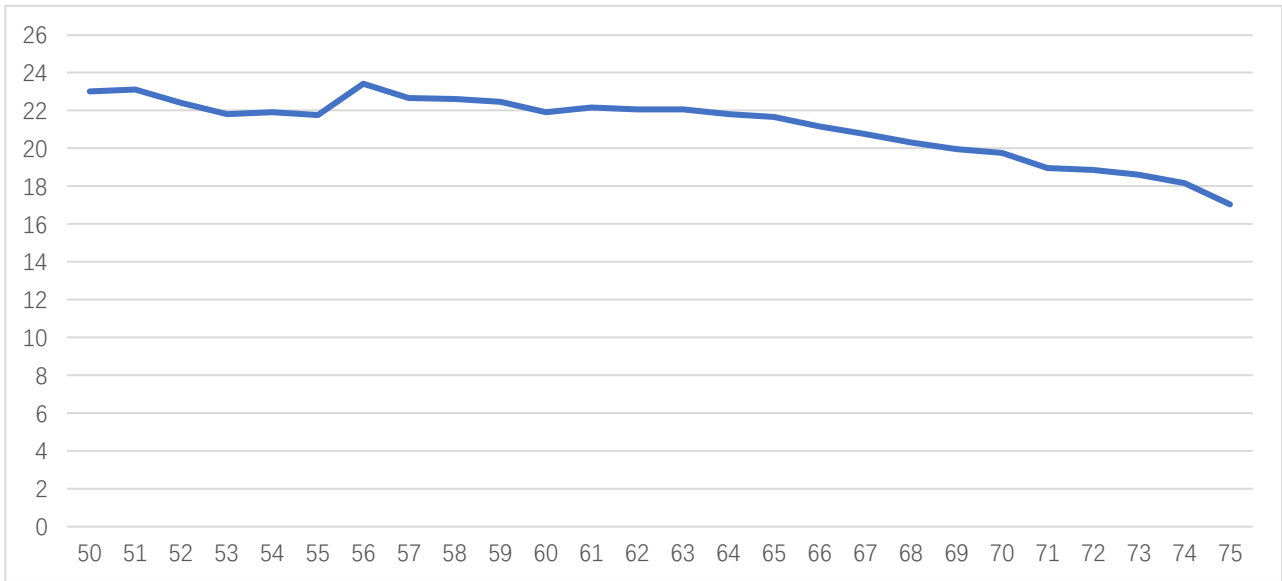
Gain vs Frequency, SN:191822-01



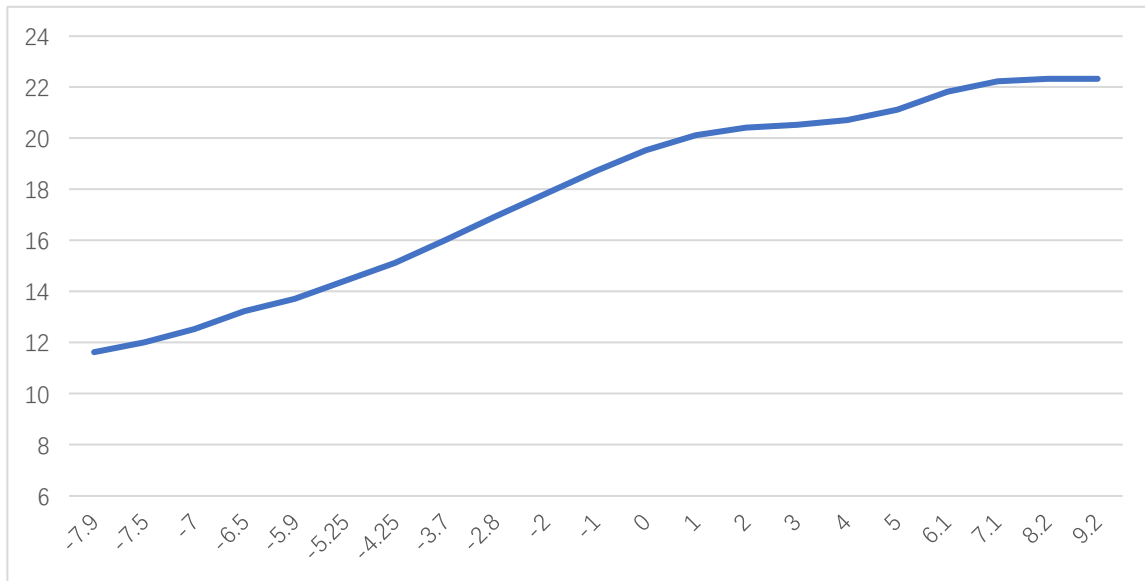


AT-PA-5075-1820

50-75GHz Medium Power Amplifier



Pout vs Frequency, SN:191822-01

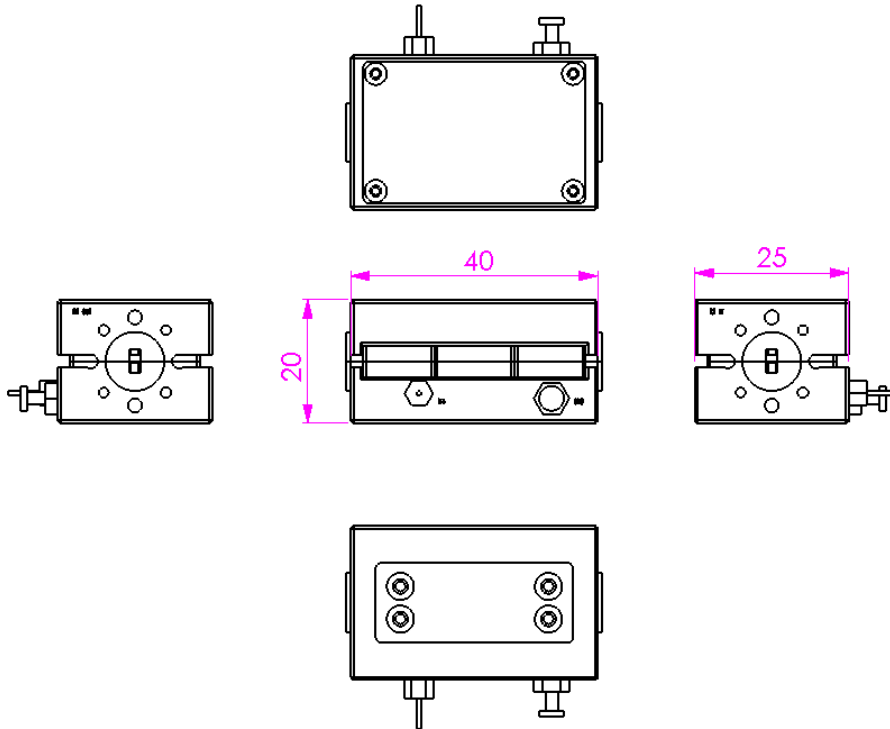


Pout vs Pin at 60GHz, SN:191822-01



Dimension: (unit in mm)

Dimension may be changed. Please contact with us for the final dimension.



Notes:

1. Datasheet may be changed according to update of MMIC, Raw materials , process, and so on.
2. This data is only for reference, not for guaranteed specifications.
3. Please contact AT Microwave team to make sure you have the most current data.

