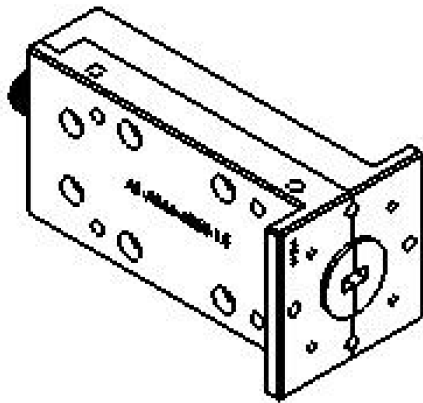


40-60GHz Broadband Amplifier

2021-9-30

Input 1.85mm Female, Output Port WR-19



Product Overview

AT-PA-4060-3520C-18F19 is high power amplifier with +20dBm output power in the frequency of 40-60GHz. The DC power requirement is +5V/500mA. The input port is 1.85mm Female, and Output Port is WR-19 waveguide.

The power amplifier has high gain, high linearity, low input/output return loss and flat gain response.

More information, please visit www.atmicrowave.com

Advantages

- ✓ Frequency: 40-60GHz
- ✓ Psat:+20dBm
- ✓ Small signal gain: 35dB
- ✓ Single Power Supply

Application

- ✓ U Band Communication
- ✓ Test Equipment
- ✓ ROF (RF Over Fiber)
- ✓ Radar System

Key Features

Parameter	Min	Typical	Max
Frequency		40-60GHz	
Gain	33dB	35dB	
Drain Supply		+5V	+8V
P1dB		+19dBm	
Psat		+20dBm	
NF		6 dB	
Id(NO RF)		500 mA	
Id(Psat)		720mA	
Input Return Loss		-10dB	
Output Return Loss		-10dB	
Spec Temp		25C	





AT-PA-4060-3520C-18F19

40-60GHz Medium Power Amplifier

Mechanical Information

Item	Description
Input Port	1.85mm Female
Output Port	WR-19
Case Material	Copper
Finish	Gold Plated
Weight (Without Heatsink)	100g
Size:	50x30x30 mm

Absolute Maximum Ratings Table

Parameter	Value
Drain Supply	+9V
RF Input Power	+5dBm
Operating Temperature	0 to +50C
Storage Temperature	-65 to +150C

Notes:

1. Datasheet may be changed according to update of MMIC, Raw materials , process, and so on.
2. This data is only for reference, not for guaranteed specifications.
3. Please contact AT Microwave team to make sure you have the most current data

Caution:

Please pay attention to the case temperature. If case temperature exceed higher than +50C, heat sink and fan are required, or the amplifier may be damaged.



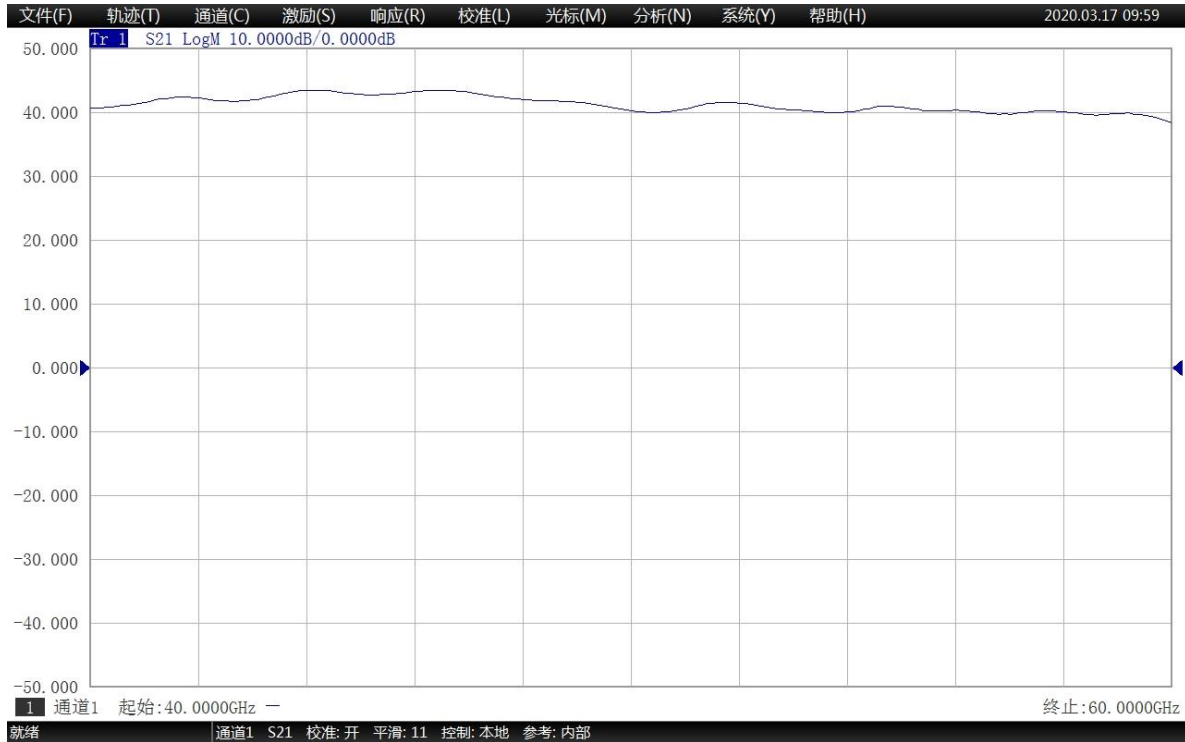


AT-PA-4060-3520C-18F19

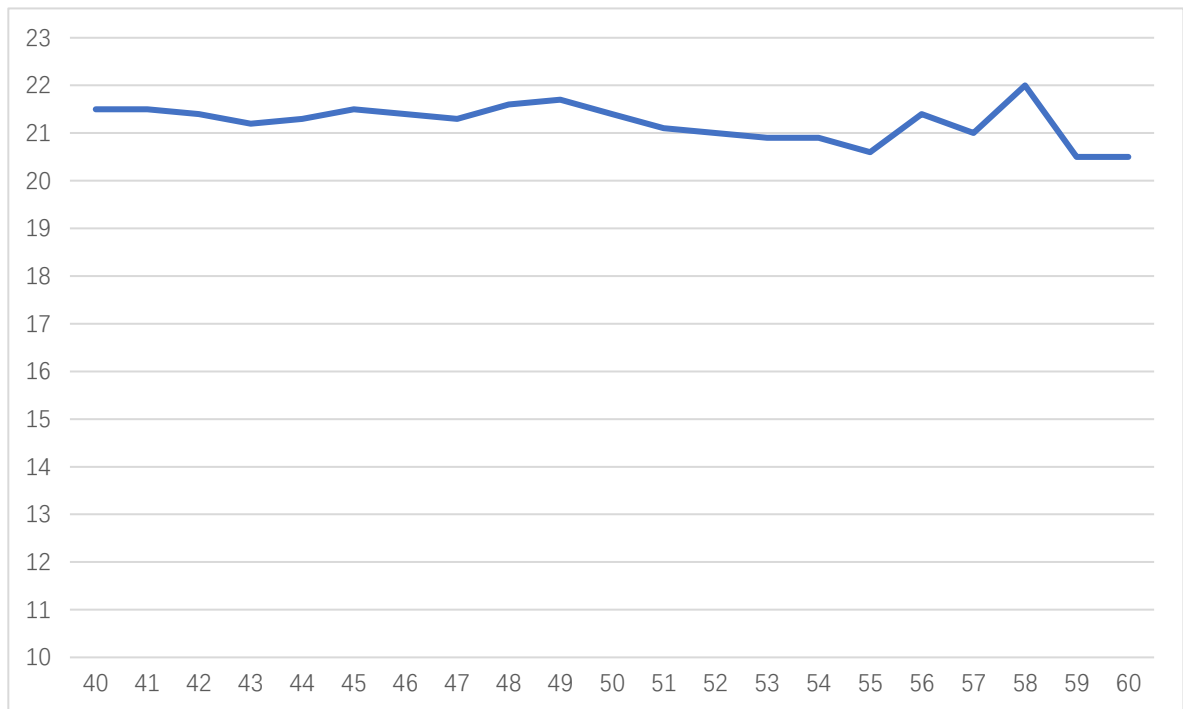
40-60GHz Medium Power Amplifier

Test Data:

Vd=+5V, Id=0.5A NO RF, Id=0.72A at Psat, 25C



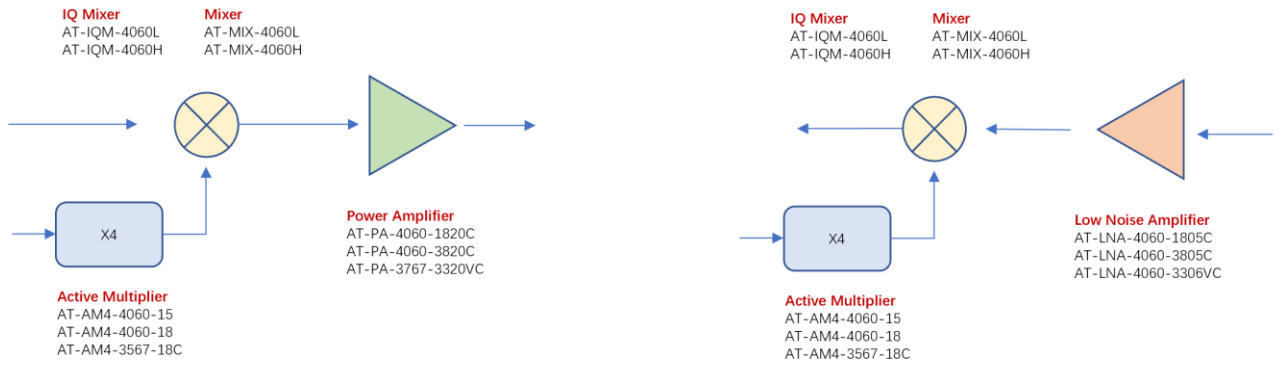
Gain vs Frequency



Pout vs Frequency



U Band 40-60GHz



Dimension: (unit in mm)

