

22-47GHz Broadband Amplifier, +23dBm

2020-11-26



Product Overview

AT-PA-2247-1823C is high gain power amplifier with +23dBm output power in the frequency of 22-47GHz. The DC power requirement is +8V/500mA. The module is with 2.4mm connector.

+5V single power supply is available according to request, with 2dB power lower than +8V supply.

More information, please visit www.atmicrowave.com

Advantages

- ✓ Frequency: 22-47GHz
- ✓ Pout:+23dBm
- ✓ Small signal gain: 18dB
- ✓ Single Power Supply

Application

- ✓ 5G Communication
- ✓ Test Equipment
- ✓ ROF (RF Over Fiber)
- ✓ Radar System

Key Features

Parameter	Min	Typical	Max
Frequency		22-47GHz	
Gain		18dB	
Gain Flatness		+/-2dB	
P1dB	+18dBm	+21dBm	
Psat	+20dBm	+23dBm	
Drain Supply	+5.5V	+6V	+8V
Current		500 mA	
Input Return Loss		-10 dB	
Output Return Loss		-10 dB	
Spec Temp		25C	





AT-PA-2247-1823C

22-47GHz Power Amplifier

Mechanical Information

Item	Description
Input Port	2.4mm Female
Output Port	2.4mm Female
Case Material	Copper
Finish	Gold Plated
Weight (Without Heatsink)	90g
Size:	30x30x9.5 mm

Absolute Maximum Ratings Table

Parameter	Value
Drain Supply	+13V
RF Input Power	+15 dBm
Operating Temperature	-20 to +70C
Storage Temperature	-65 to +150C

Caution:

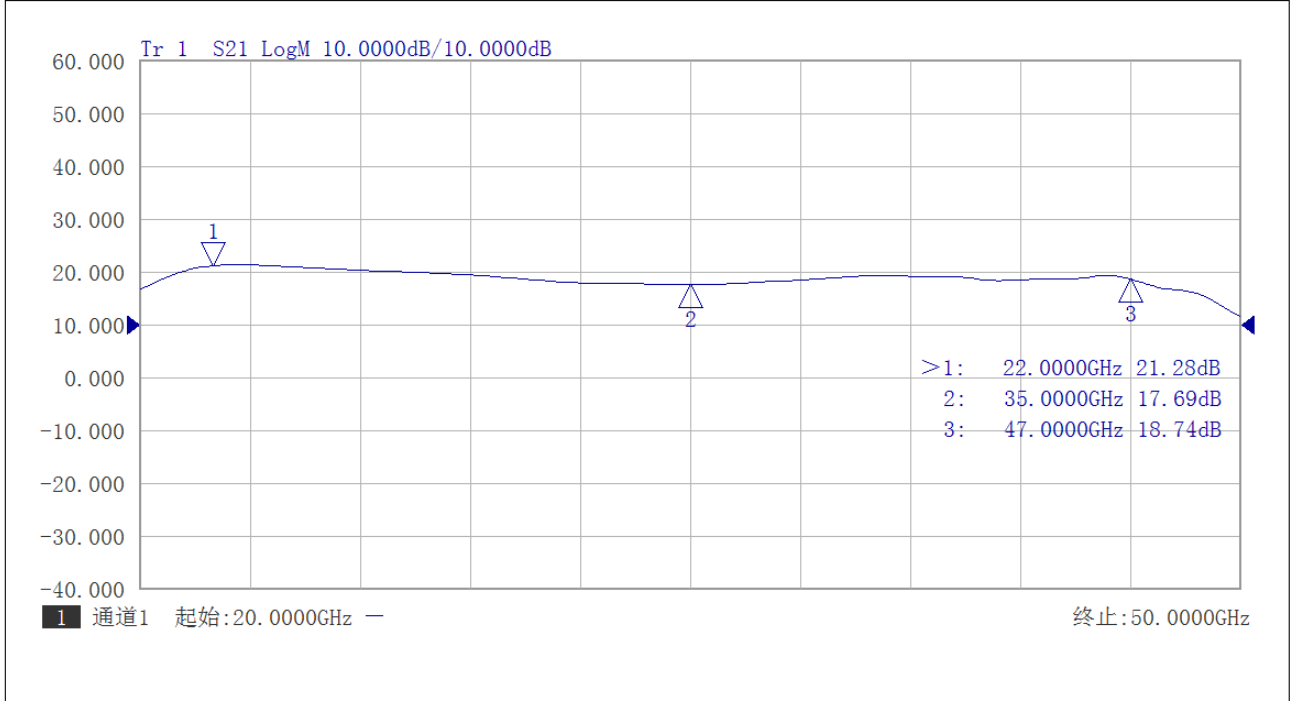
Please pay attention to the case temperature. If case temperature exceed higher than +50C, heat sink and fan are required, or the amplifier may be damaged.

Notes:

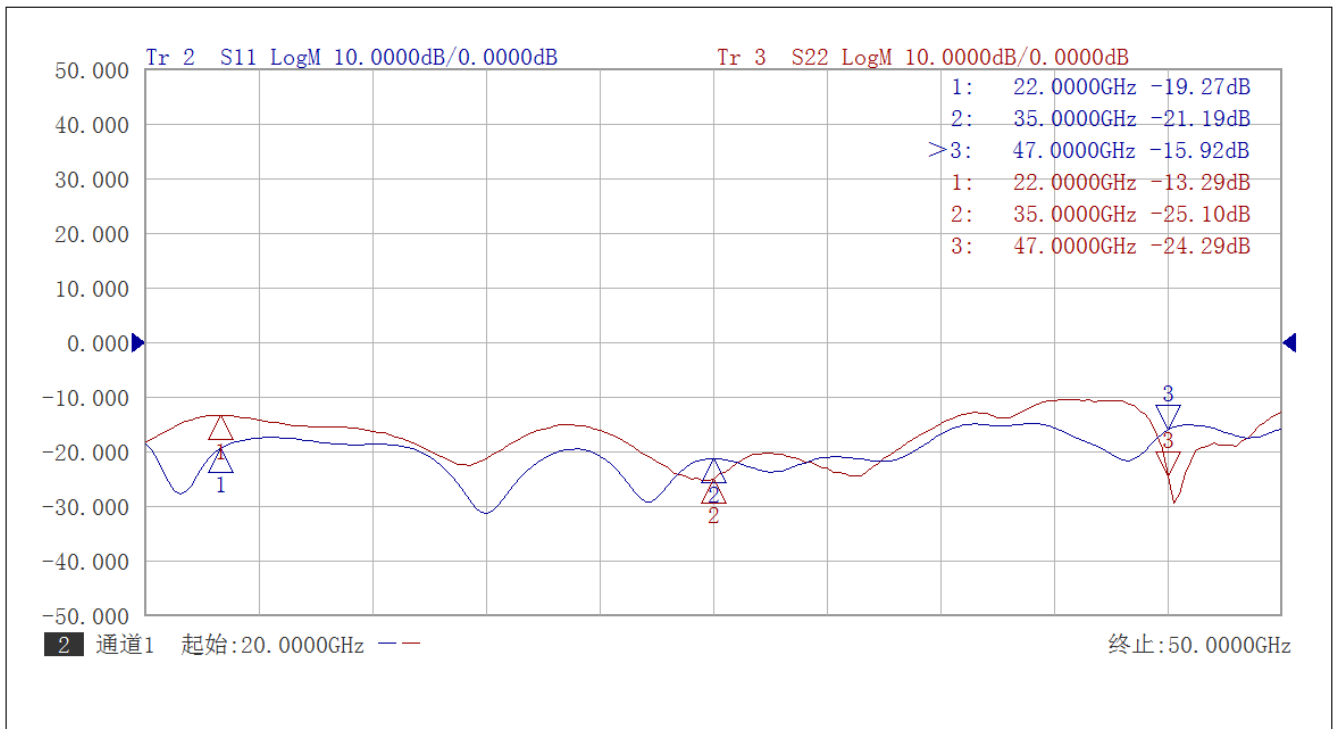
1. Datasheet may be changed according to update of MMIC, Raw materials , process, and so on.
2. This data is only for reference, not for guaranteed specifications.
3. Please contact AT Microwave team to make sure you have the most current data.



Test Data:



Gain vs Frequency



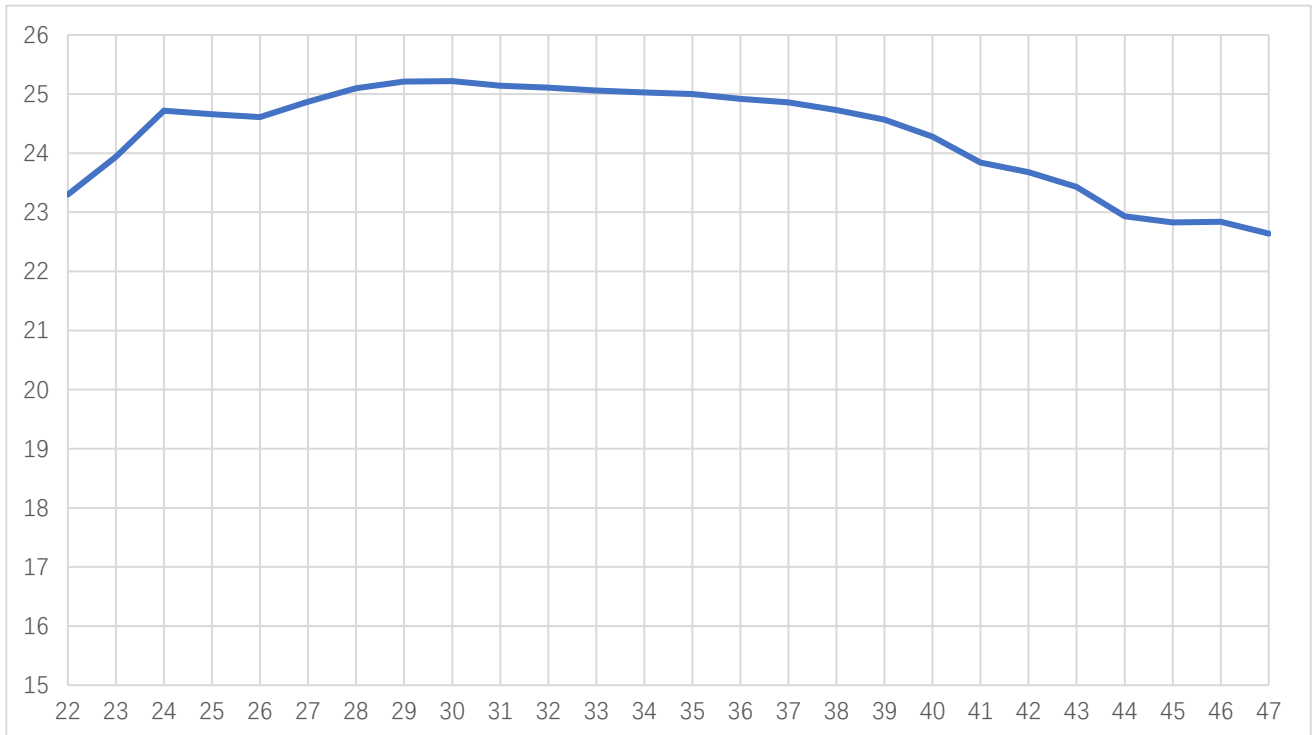
Input and Output Return Loss



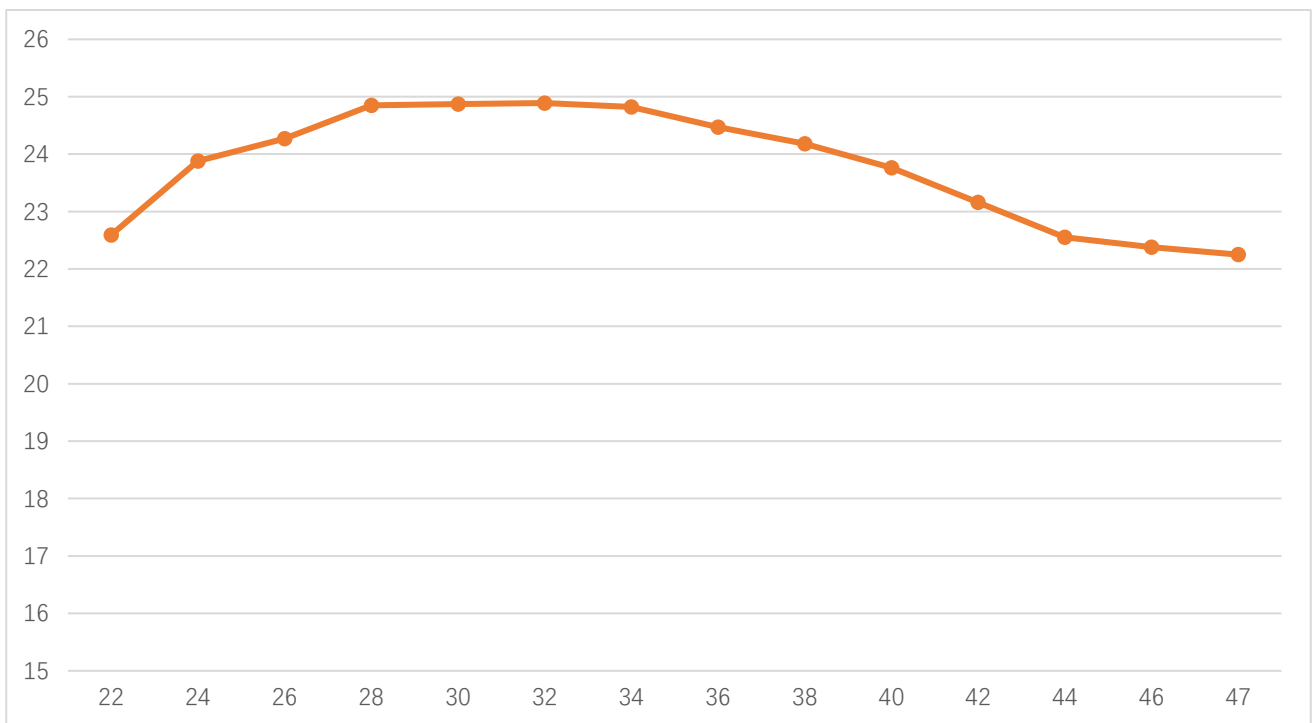


AT-PA-2247-1823C

22-47GHz Power Amplifier



Psat Vs Frequency



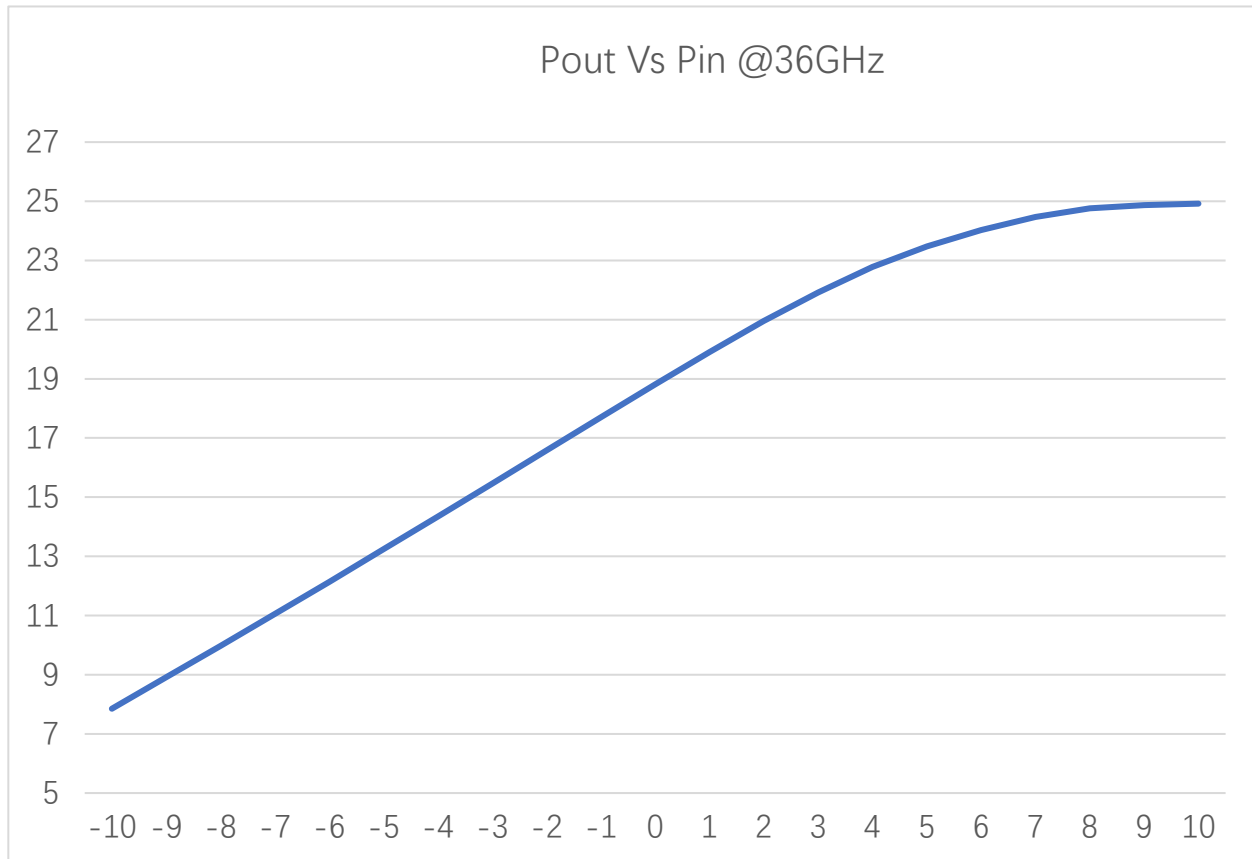
P1dB vs Frequency





AT-PA-2247-1823C

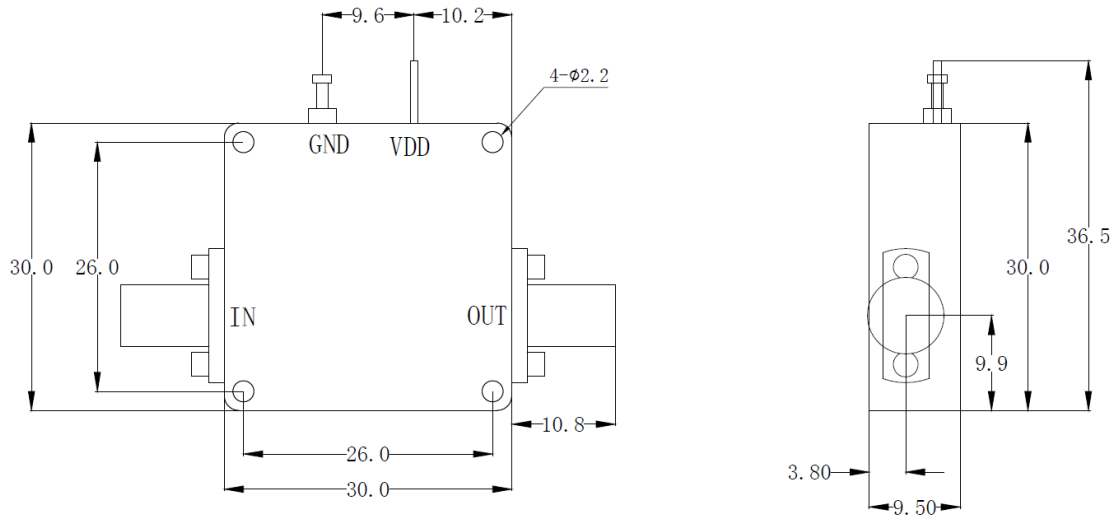
22-47GHz Power Amplifier



Pout vs Pin at 36GHz

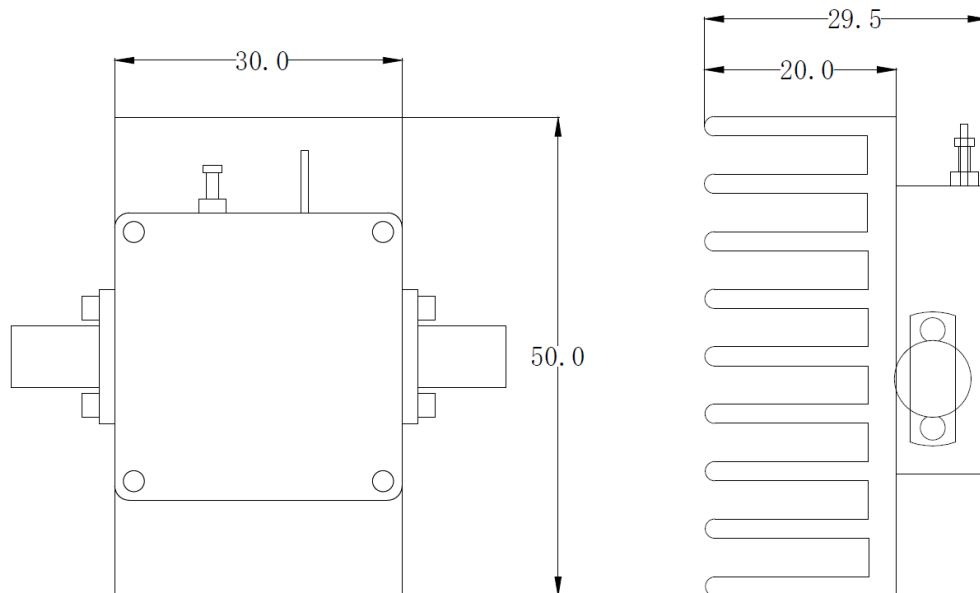


Dimension: (unit in mm)



	<26.5GHz	<40GHz	<50GHz	<67GHz
Connector	SMA	2.92mm	2.4mm	1.85mm
Lenth of a	9.4mm	9.5mm	10.8mm	11.3mm

Note: Female Default. Contact with us for other types.



Including a small heatsink without Fan if output Power higher than +20dBm.

Customers can removed it or use their own heatsink according to actual situation.

Heat Sink Required During Operation if case Temp higher than 50C

