

130-200GHz Band Power Amplifier

Gain=15dB, Pout=+15dBm, WR-05



Product Overview

AT-PA-130200-P15 is power amplifier with +15dBm output power in the frequency of 130-200GHz. The DC power requirement is +9V/0.47A. The module is with a standard WR-05 waveguide.

The power amplifier has high gain, high linearity, low input/output return loss and flat gain response.

More information, please visit www.atmicrowave.com

Advantages

- ✓ Frequency: 130-200GHz
- ✓ Psat:+15 dBm
- ✓ Small signal gain: 15dB
- ✓ Single Power Supply

Application

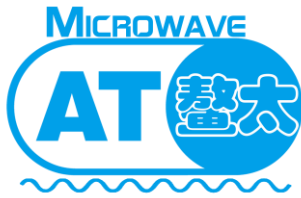
- ✓ G-band Imaging
- ✓ FOD (Foreigner Objects Debris)
- ✓ Test Equipment
- ✓ ROF (RF Over Fiber)
- ✓ Radar System

Key Features

Parameter	Min	Typical	Max
Frequency		130-200GHz	
Gain		15dB	
Drain Supply		+9V	+12V
Current(NOTE)		0.45A	
Psat	+12dBm	+15dBm	
NF		TBD	
Temp Spec		25C	

Note: Heatsink required.





AT-PA-130200-P15

130-200GHz Power Amplifier, $P_{sat}=+15dBm$

Mechanical Information

Item	Description
Input Port	WR-05
Output Port	WR-05
Case Material	Copper
Finish	Gold Plated
Weight	165g
Size:	See outline

Absolute Maximum Ratings Table

Parameter	Value
Drain Supply	+15V
RF Input Power	+12dBm
Operating Temperature	0 to +50C
Storage Temperature	-45 to +85C

Notes:

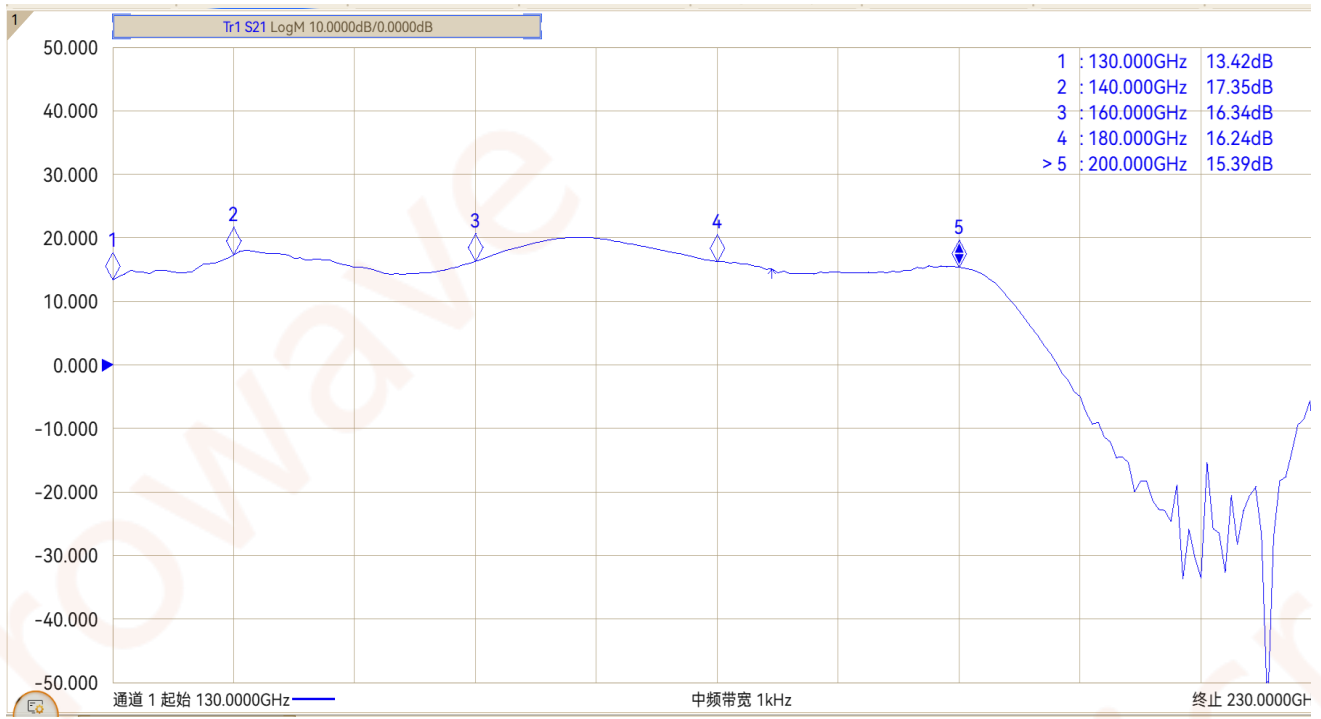
1. Datasheet may be changed according to update of MMIC, Raw materials , process, and so on.
2. This data is only for reference, not for guaranteed specifications.
3. Please contact AT Microwave team to make sure you have the most current data.

Part Number Selection Guide

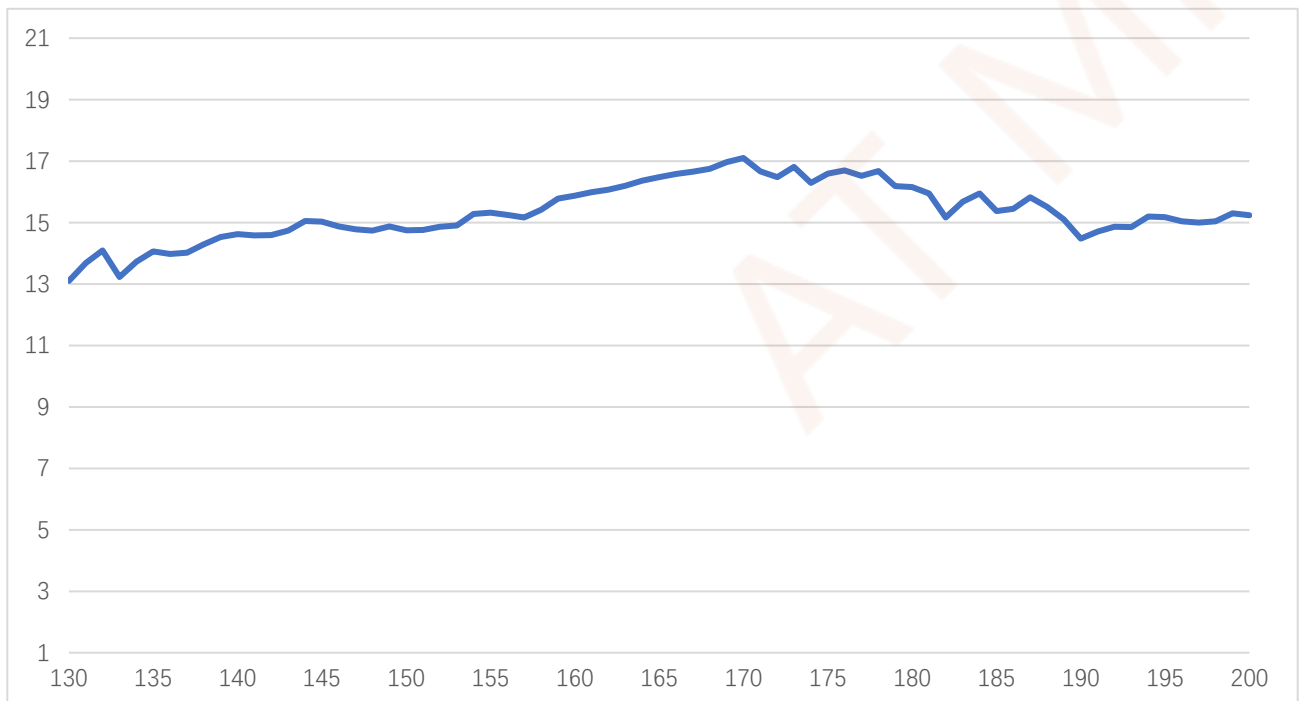
Item	Description
PN	Stand Module with DC Power Supply
PN-LCBT	L ow Cost, C ompact B ench- T op, +220V Supply with AC/DC Adapter



TEST DATA(25C)



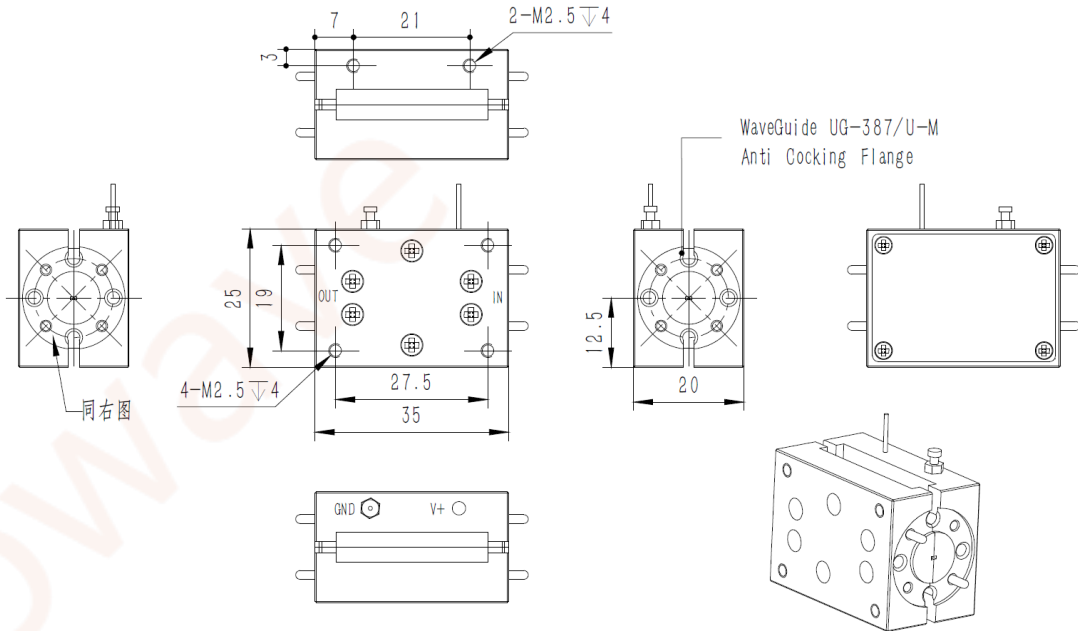
Gain vs Frequency



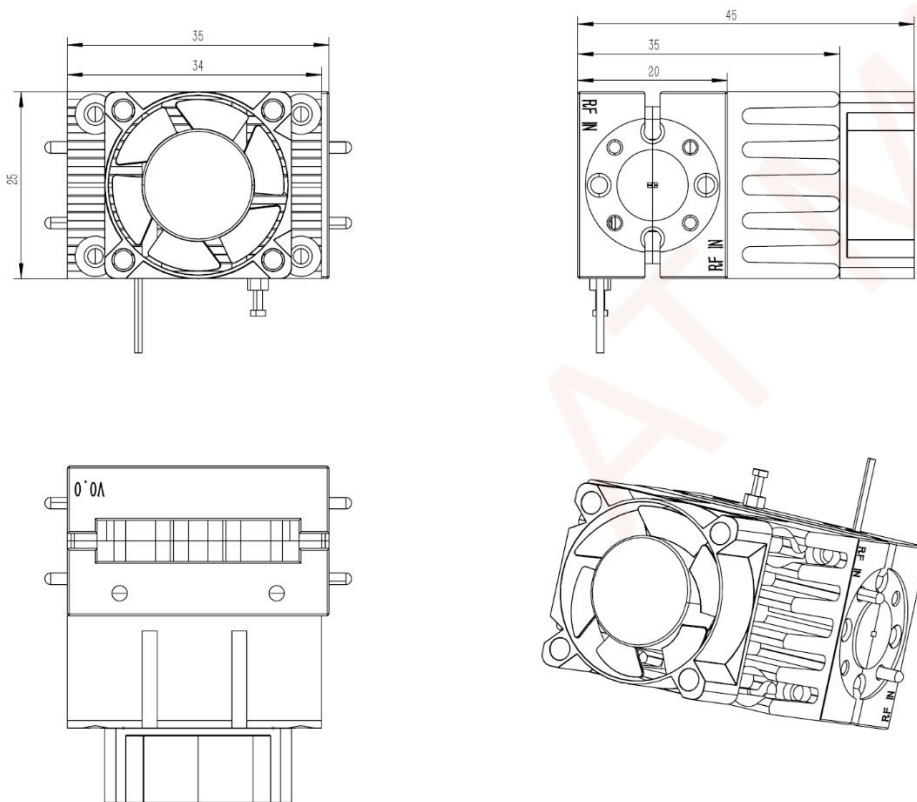
Psat vs Frequency



Dimension:(unit in mm)



Heatsink required during operation



AT Microwave provide heatsink and fan in default for this module.
Customer can remove it if using own heatsink.

