

6-20GHz Broadband Amplifier, +18dBm



Product Overview

AT-PA-0620-1318X is high gain power amplifier with +18dBm output power in the frequency of 6-20GHz. The DC power requirement is +8/130mA. The module is with SMA connector.

The power amplifier has high gain, high linearity, low input/output return loss and flat gain response.

More information, please visit www.atmicrowave.com

Advantages

- ✓ Frequency: 6-20GHz
- ✓ Pout:+18dBm
- ✓ Small signal gain: 13dB
- ✓ Single Power Supply

Application

- ✓ 5G Communication
- ✓ Test Equipment
- ✓ ROF (RF Over Fiber)
- ✓ Radar System

Key Features

Parameter	Min	Typical	Max
Frequency		6-20GHz	
Gain	10dB	13dB	
P1dB		+16dBm	
Psat		+18dBm	
Drain Supply	+5V	+8V	+12V
Current		130 mA	
Input Return Loss		-10dB	
Output Return Loss		-10dB	
Spec Tem[25C	





AT-PA-0620-1318X

6-20GHz Power Amplifier

Mechanical Information

Item	Description
Input Port	SMA Female
Output Port	SMA Female
Case Material	Copper
Finish	Gold Plated
Weight (Without Heatsink)	90g
Size:	20X20X8 mm

Absolute Maximum Ratings Table

Parameter	Value
Drain Supply	+13V
RF Input Power	+20 dBm
Operating Temperature	-20 to +70C
Storage Temperature	-65 to +130C

Caution:

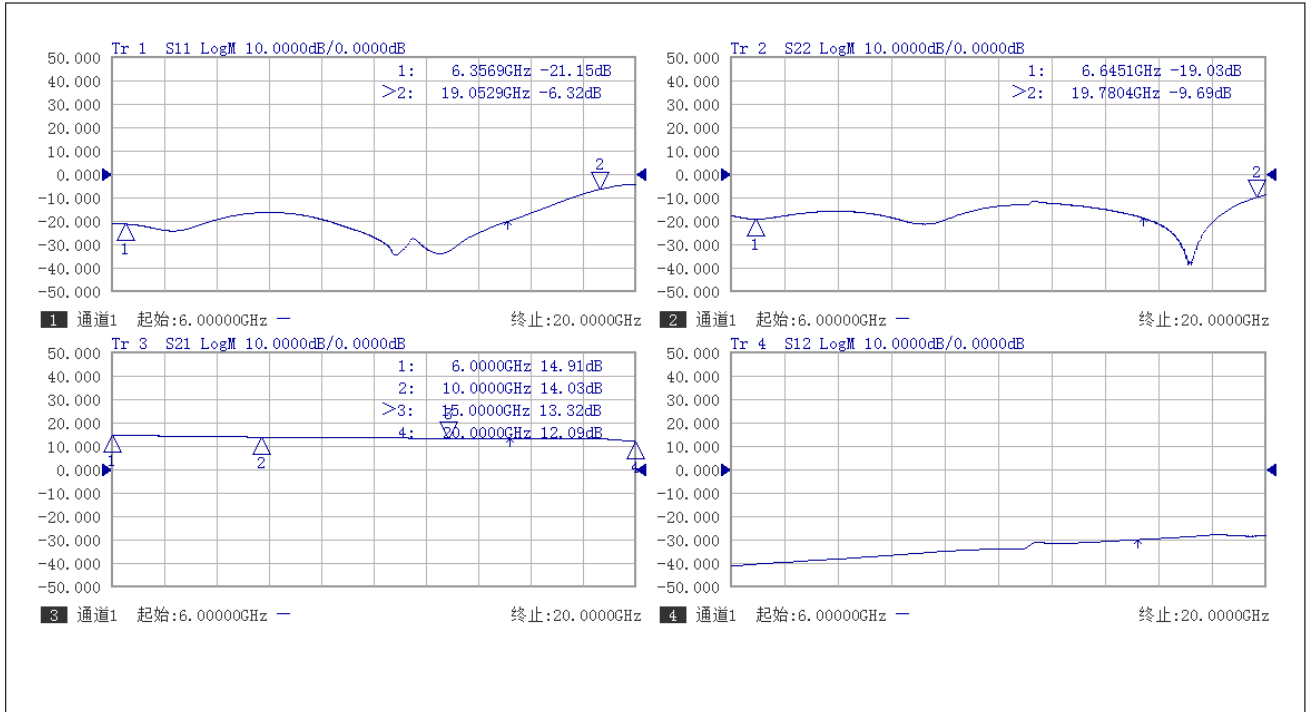
Please pay attention to the case temperature. If case temperature exceed higher than +50C, heat sink and fan are required, or the amplifier may be damaged.

Notes:

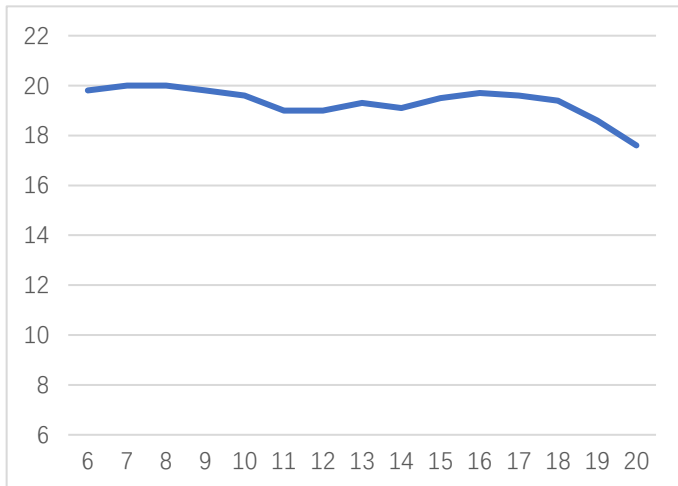
1. Datasheet may be changed according to update of MMIC, Raw materials , process, and so on.
2. This data is only for reference, not for guaranteed specifications.
3. Please contact AT Microwave team to make sure you have the most current data.



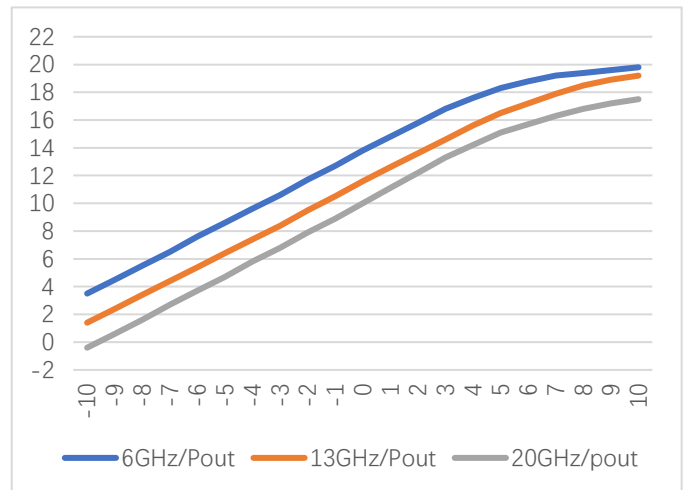
Test data



S21, S11, S22, S12 test



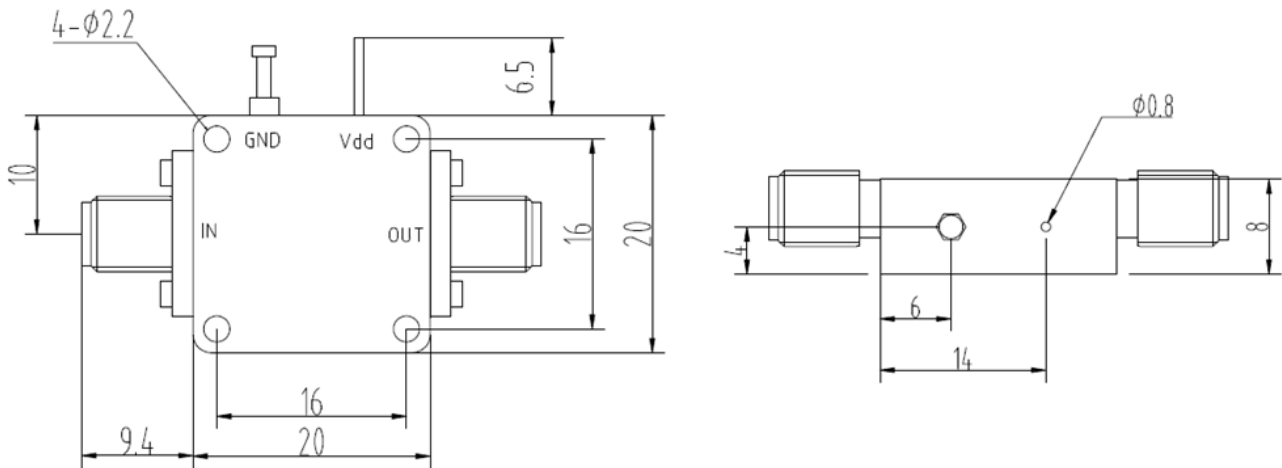
Pout vs Frequency



Pout vs Pin



Dimension: (unit in mm)



	<26.5GHz	<40GHz	<50GHz	<67GHz
Connector	SMA	2.92mm	2.4mm	1.85mm
Lenth of a	9.4mm	9.5mm	10.8mm	11.3mm

Note: Female Default. Contact with us for other types.

Heat Sink Required During Operation if case Temp higher than 50C

