

AT-LPF-04MS

2023-4-4

DC-4.5GHz Low Pass Filter, SMA



Product Overview

AT Microwave offers high performance coaxial filter from low frequency to 67GHz, including BPF-Band Pass Filter, LPF-Low Pass Filter and HPF-High Pass Filter.

These filters are based on MMIC technology with small size and fast delivery time. Both RF1 and RF2 can be used as Input or output port. Other connector is available according to request.

More information, please visit www.atmicrowave.com

Advantages

- ✓ Low Insertion Loss
- ✓ Good Return Loss
- ✓ High Stop Band Suppression
- ✓ Sharp Roll-Off

Application

- ✓ Automotive Radar Test
- ✓ FOD (Foreigner Objects Debris)
- ✓ Test Equipment
- ✓ ROF (RF Over Fiber)
- ✓ Radar System

Key Features

Parameter	Min	Typical	Max
3dB Cutoff Frequency Point		4.5GHz	
Passband Frequency		DC-4.0GHz	
Passband Insertion Loss		-0.9 dB	
Passband Return Loss	-8dB	-15 dB	
Rejection@ 7-13GHz	-50	-60dB	
Power Handling/CW			1W
Spec Temp		25C	





AT-LPF-04MS

Coaxial Low Pass Filter

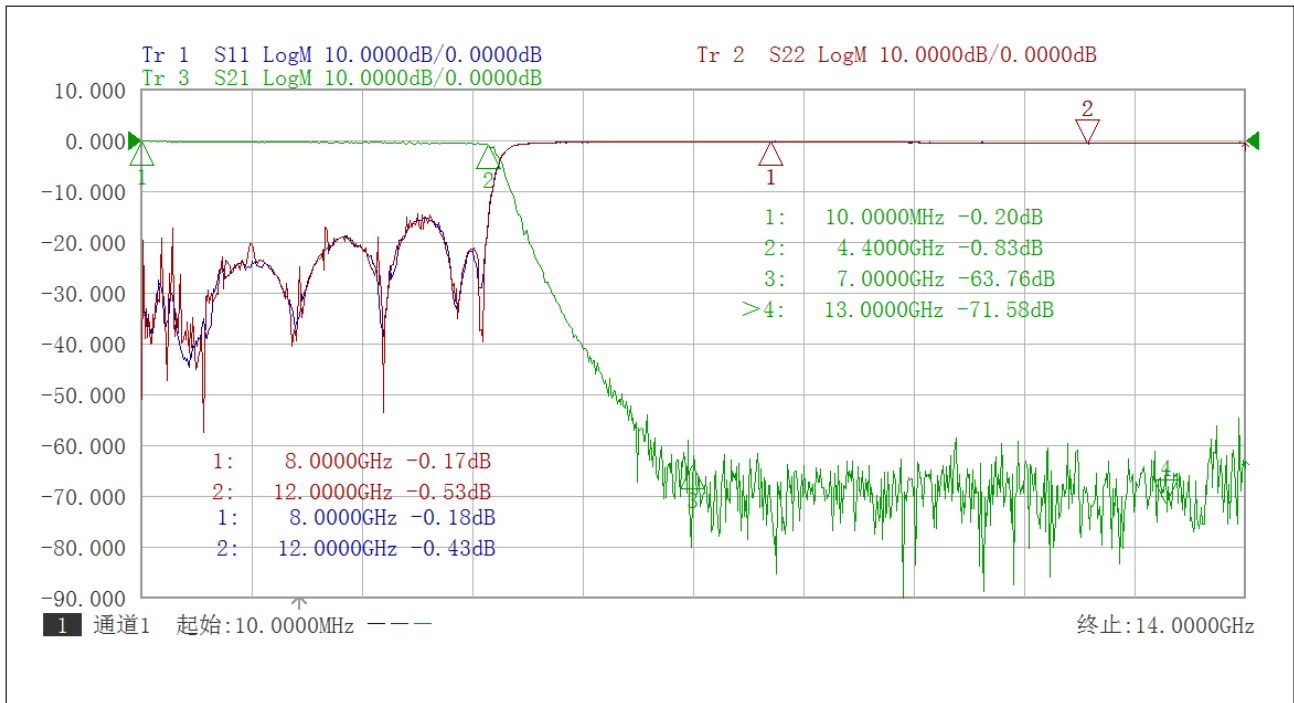
Mechanical Information

Item	Description
RF1 Port	SMA Female
RF2 Port	SMA Female
Case Material	Aluminium
Finish	Black Painted
Weight	25g
Size:	See outline

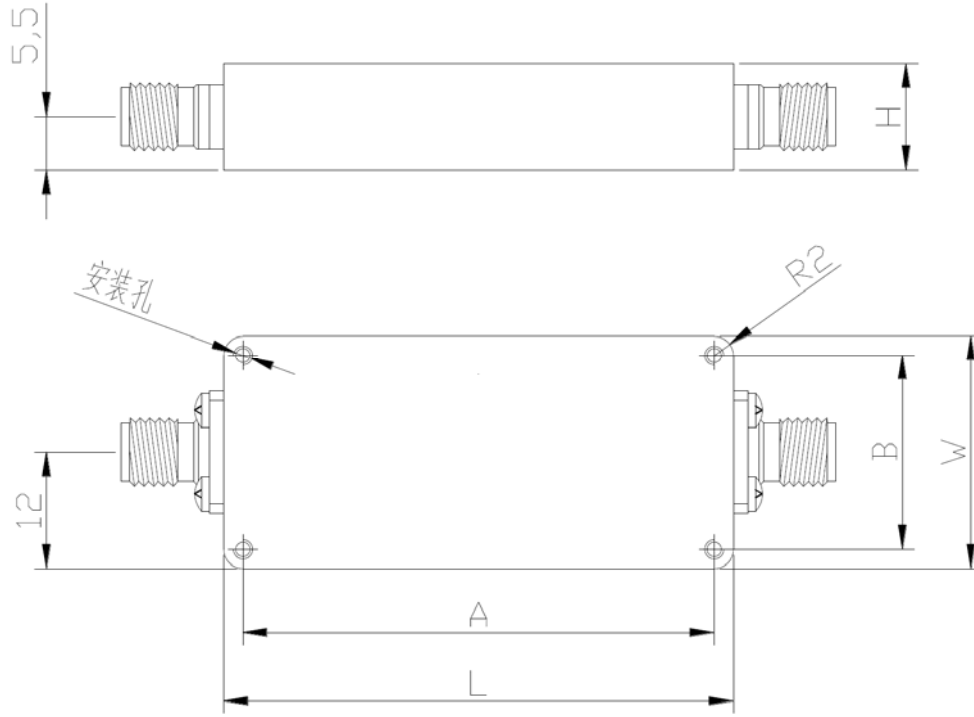
Absolute Maximum Ratings Table

Parameter	Value
RF Power	+30dBm
Operating Temperature	-40 to +85C
Storage Temperature	-55 to +125C

Test Result (25c)



Dimension (mm)



L	W	H	A	B	
53mm	24mm	11mm	49mm	20mm	4*M1.6 Through

Tolerance: = +/-0.2mm

