

E/W Band LNA, 20dB Gain, NF=4dB



Product Overview

AT-LNA-7590-2004 is a low noise amplifier operating in the 75-90 GHz frequency range. The LNA is packaged in a waveguide module using industry standard WR12. The light weight gold plated aluminum module measures 57x33x22 mm.

MMIC technology LNA Chip is used, which ensures reliable and repeatable unit-to-unit result. Higher gain amplifier can be achieved.

More information, please visit www.atmicrowave.com.

Advantages

- ✓ Frequency: 75-90GHz
- ✓ High Gain: 20dB
- ✓ NF: 4dB
- ✓ Single Supply

Application

- ✓ E Band Communication
- ✓ FOD (Foreigner Objects Debris)
- ✓ Test Equipment
- ✓ ROF (RF Over Fiber)
- ✓ Radar System

Key Features

Parameter	Min	Typical	Max
Frequency		75-90GHz	
Gain	17	20dB	
Noise Figure		4dB	6
Pin			-10dBm
Output P1dB	-1 dBm		
Drain Supply		+6V/80mA	+7V
Input Return Loss	-6	-10dB	
Output Return Loss	-6	-10dB	
Spec Temp		25C	





AT-LNA-7590-2004

75-90GHz 20dB Gain, NF 4dB Low Noise Amplifier

Mechanical Information

Item	Description
Input Port	WR-12
Output Port	WR-12
Case Material	Copper
Finish	Gold Plated
Weight (Without Heatsink)	189g
Size:	57.5x33x22.4mm

Absolute Maximum Ratings Table

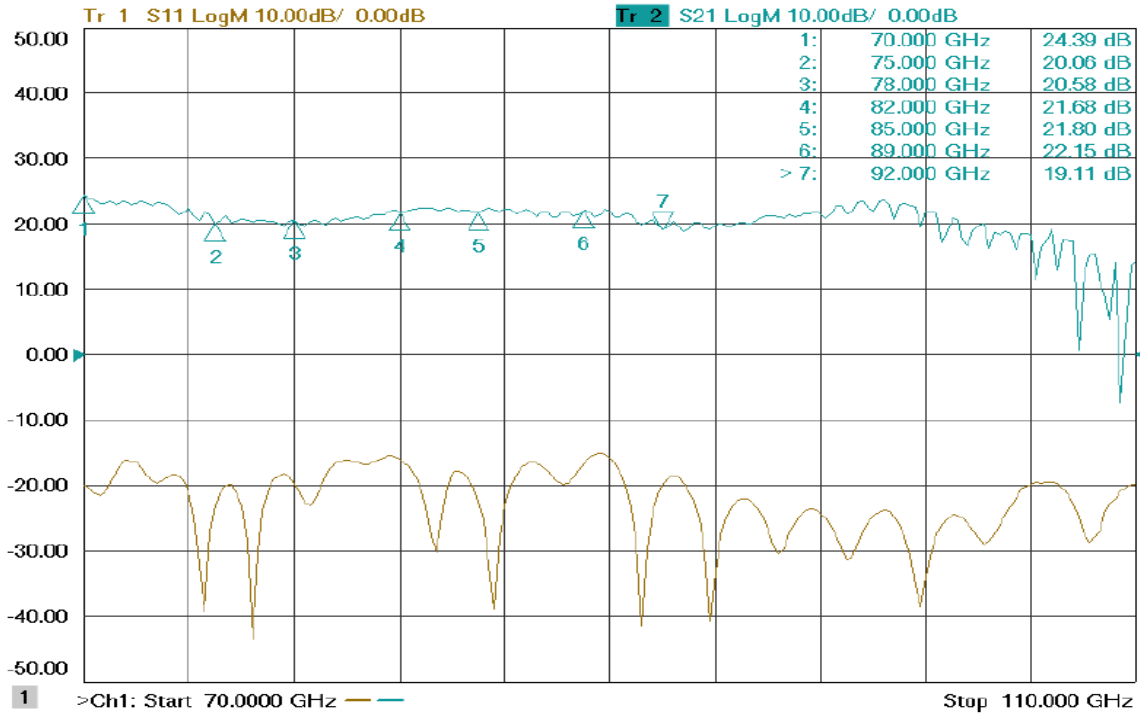
Parameter	Value
Drain Supply	+8V
RF Input Power	-5dBm
Operating Temperature	0 to +50C
Storage Temperature	-65 to +150C

Notes:

1. Datasheet may be changed according to update of MMIC, Raw materials , process, and so on.
2. This data is only for reference, not for guaranteed specifications.
3. Please contact AT Microwave team to make sure you have the most current data.

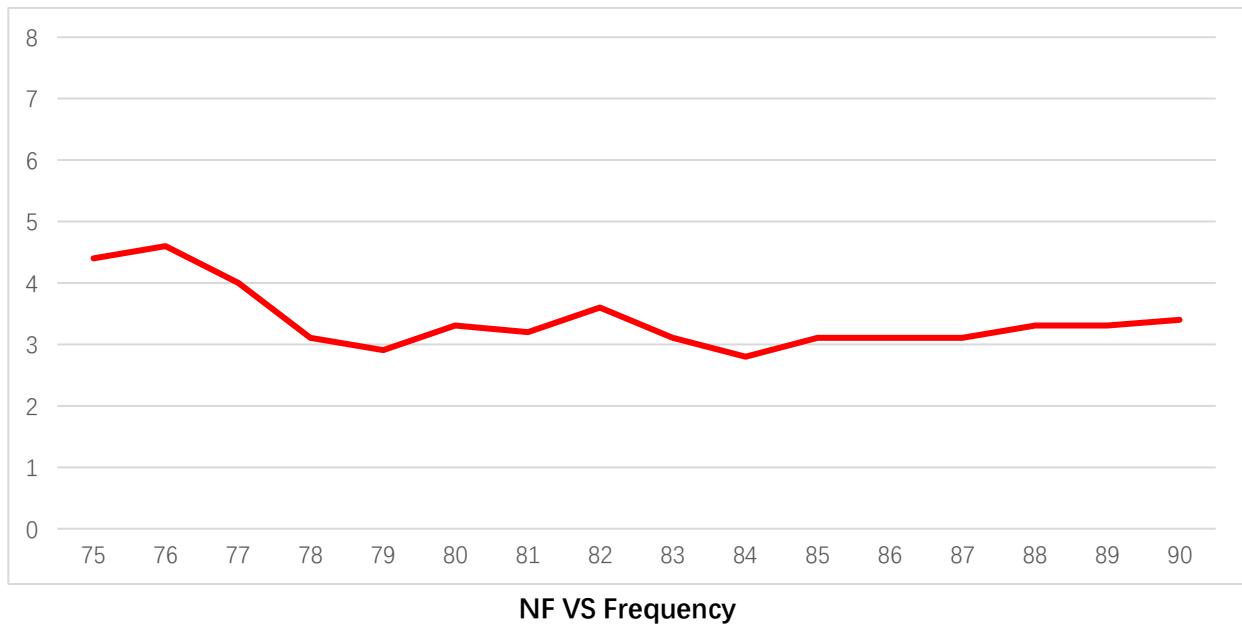


TEST DATA (25C)

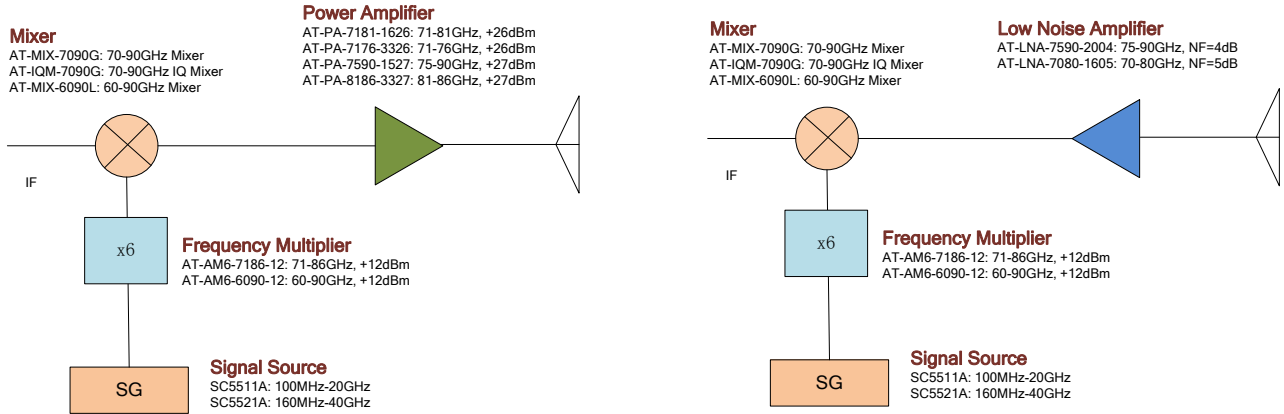


GAIN VS FREQUENCY

(Not guarantee for performance higher than 90GHz)



E Band Solution:



Dimension: (mm)

