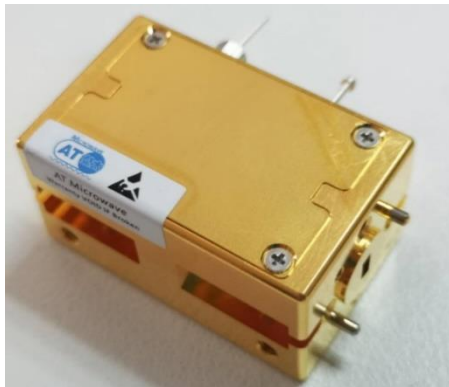


E Band Low Noise Amplifier



Product Overview

AT-LNA-7090-2305T is a low noise amplifier operating in the 70-90GHz frequency range. The LNA is packaged in a waveguide module using industry standard WR-12.

GaAs pHEMT MMIC technology LNA Chip is used, which ensures reliable and repeatable unit-to-unit result.

More information, please visit www.atmicrowave.com.

Advantages

- ✓ Frequency: 70-90GHz
- ✓ Gain: 23dB
- ✓ NF: 5dB
- ✓ Single Power Supply

Application

- ✓ E band Communication
- ✓ Test Equipment
- ✓ ROF (RF Over Fiber)
- ✓ Radar System

Key Features

Parameter	Min	Typical	Max
Frequency	70	71-86GHz	90
Gain	20	23dB	
Noise Figure		5dB	6dB
Drain Supply		+5V/80mA	+8V
P1dB		+7dBm	
Psat		+8dBm	
Input Return Loss		-8dB	
Output Return Loss		-8dB	
Spec Temp		25C	





AT-LNA-7090-2305T

70-90GHz 23dB Gain Low Noise Amplifier

Mechanical Information

Item	Description
Input Port	WR-12
Output Port	WR-12
Case Material	Copper
Finish	Gold Plated
Weight (Without Heatsink)	100g
Size:	45X25X20 mm

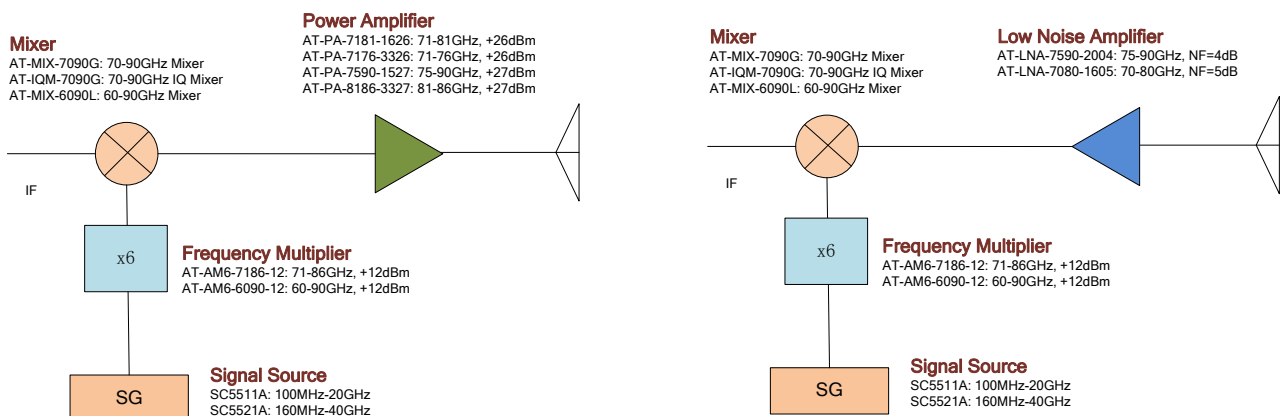
Absolute Maximum Ratings Table

Parameter	Value
Drain Supply	+8V
RF Input Power	+10dBm
Operating Temperature	0 to +50C
Storage Temperature	-65 to +150C

Notes:

1. Datasheet may be changed according to update of MMIC, Raw materials , process, and so on.
2. This data is only for reference, not for guaranteed specifications.
3. Please contact AT Microwave team to make sure you have the most current data.

E Band Solution:



Shanghai AT Microwave Limited

Tel:021-6229 1233

Email:sales@atmicrowave.com

www.atmicrowave.com





AT-LNA-7090-2305T

70-90GHz 23dB Gain Low Noise Amplifier

Dimension:

