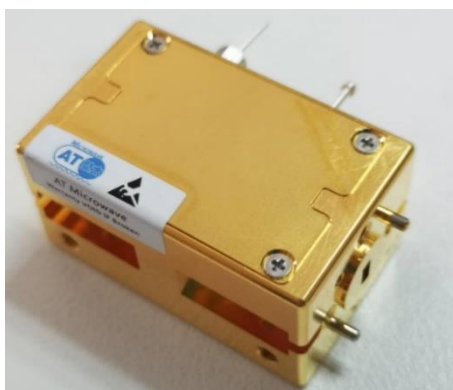


E1 Band Low Noise Amplifier, High Gain



Product Overview

AT-LNA-7080-3505 is a low noise amplifier operating in the 70-80GHz frequency range. The LNA is packaged in a waveguide module using industry standard WR-12.

GaAs pHEMT MMIC technology LNA Chip is used, which ensures reliable and repeatable unit-to-unit result.

More information, please visit www.atmicrowave.com.

Advantages

- ✓ Frequency: 70-80GHz
- ✓ Gain: 35dB
- ✓ NF: 5dB
- ✓ Single Power Supply

Application

- ✓ E band Communication
- ✓ Test Equipment
- ✓ ROF (RF Over Fiber)
- ✓ Radar System

Key Features

Parameter	Min	Typical	Max
Frequency	70	71-76GHz	80
Gain		35dB	
Noise Figure		5dB	6dB
Drain Supply		+5V/160mA	+8V
P1Db		+8dBm	
Psat		+10dBm	
Input Return Loss		-8dB	
Output Return Loss		-8dB	
Spec Temp		25C	





AT-LNA-7080-3505

70-80GHz 35dB Gain Low Noise Amplifier

Mechanical Information

Item	Description
Input Port	WR-12
Output Port	WR-12
Case Material	Copper
Finish	Gold Plated
Weight (Without Heatsink)	130g
Size:	50x25x20 mm

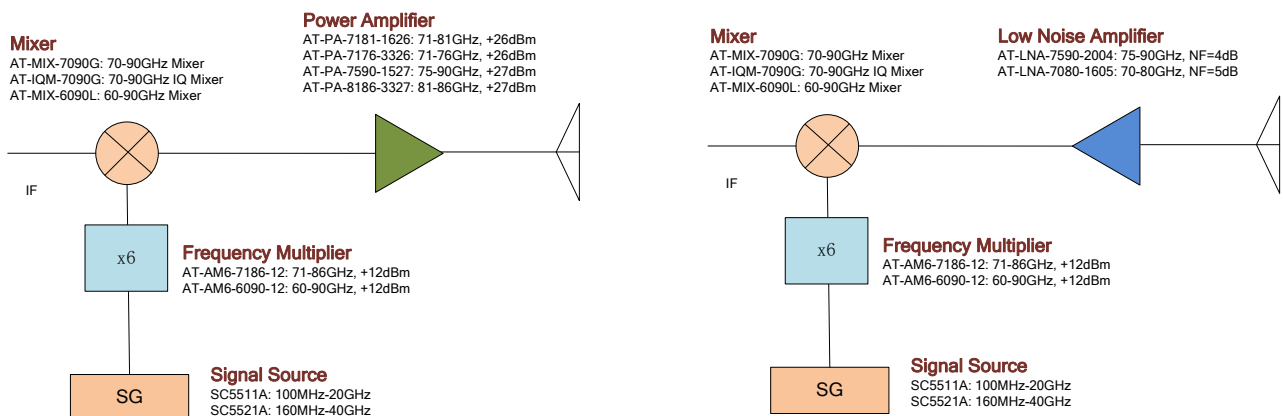
Absolute Maximum Ratings Table

Parameter	Value
Drain Supply	+9V
RF Input Power	+10dBm
Operating Temperature	0 to +50C
Storage Temperature	-65 to +150C

Notes:

1. Datasheet may be changed according to update of MMIC, Raw materials , process, and so on.
2. This data is only for reference, not for guaranteed specifications.
3. Please contact AT Microwave team to make sure you have the most current data.

E Band Solution:



Dimension:

