

Full E Band, High Gain Low Noise Amplifier



Product Overview

AT-LNA-6090-3805HP is an High Gain amplifier operating in the 60-90GHz frequency range with super low NF=5dB. The LNA is packaged in a waveguide module using industry standard WR-12.

The amplifier can be used both as LNA and PA. GaAs pHEMT MMIC technology LNA Chip is used, which ensures reliable and repeatable unit-to-unit result.

More information, please visit www.atmicrowave.com.

Advantages

- ✓ Frequency: 60-90GHz
- ✓ Gain: 38dB
- ✓ NF: 5Db
- ✓ Pout=+18dBm
- ✓ Single Power Supply

Application

- ✓ E band Communication
- ✓ Test Equipment
- ✓ ROF (RF Over Fiber)
- ✓ Radar System

Key Features

| Parameter | Min | Typical | Max |
|--------------------|-----|-----------|-----|
| Frequency | | 60-90GHz | |
| Gain | 35 | 38dB | |
| Noise Figure | | 5dB | 7dB |
| Drain Supply | | +5V/280mA | +8V |
| P1dB | | +16dBm | |
| Psat | | +18dBm | |
| Input Return Loss | | -5dB | |
| Output Return Loss | | -5dB | |
| Spec Temp | | 25C | |





AT-LNA-6090-3805HP

60-90GHz 38dB Gain Low Noise Amplifier

Mechanical Information

| Item | Description |
|---------------------------|-------------|
| Input Port | WR-12 |
| Output Port | WR-12 |
| Case Material | Copper |
| Finish | Gold Plated |
| Weight (Without Heatsink) | 100g |
| Size: | 45X25X20 mm |

Absolute Maximum Ratings Table

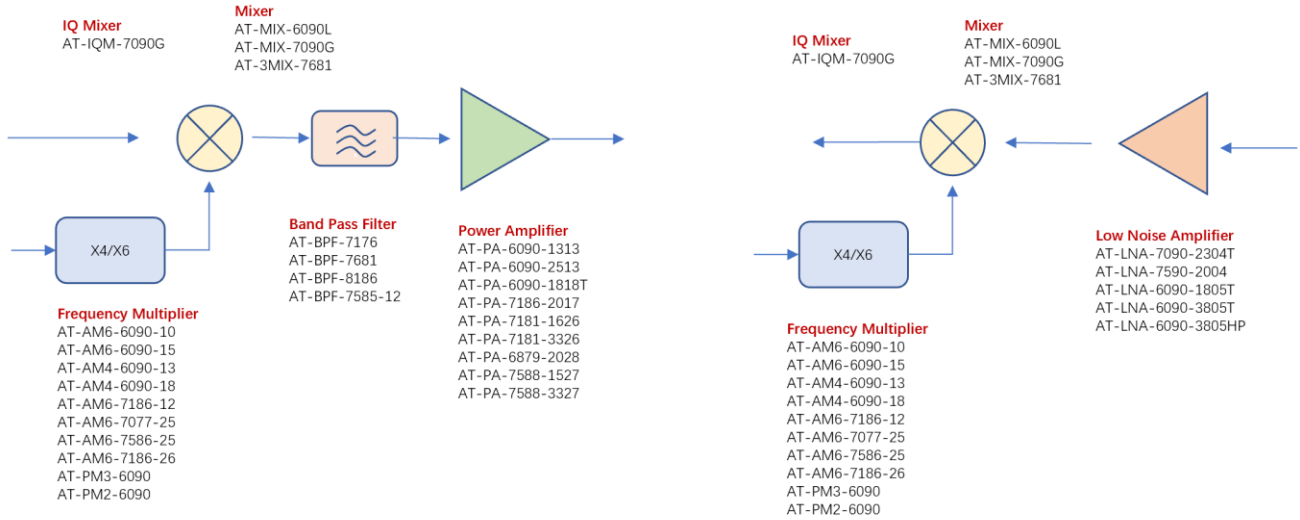
| Parameter | Value |
|-----------------------|--------------|
| Drain Supply | +9V |
| RF Input Power | +10dBm |
| Operating Temperature | 0 to +50C |
| Storage Temperature | -65 to +150C |

Notes:

1. Datasheet may be changed according to update of MMIC, Raw materials , process, and so on.
2. This data is only for reference, not for guaranteed specifications.
3. Please contact AT Microwave team to make sure you have the most current data.



E Band 60-90GHz



Dimension:

