

Full E Band Low Noise Amplifier



Product Overview

AT-LNA-6090-2506 is a low noise amplifier operating in the 60-90GHz frequency range. The LNA is packaged in a waveguide module using industry standard WR-12.

GaAs MMIC technology LNA Chip is used, which ensures reliable and repeatable unit-to-unit result. It also can be used from 55-95GHz with some degradation of performance.

More information, please visit www.atmicrowave.com.

Advantages

- ✓ Frequency: 60-90GHz
- ✓ Gain: 25dB
- ✓ NF: 6dB
- ✓ Single Power Supply

Application

- ✓ E band Communication
- ✓ Test Equipment
- ✓ ROF (RF Over Fiber)
- ✓ Radar System

Key Features

Parameter	Min	Typical	Max
Frequency		60-90GHz	
Gain		25dB	
Noise Figure		6dB	8dB
Drain Supply		+5V/300mA	+8V
P1Db		+10dBm	
Psat		+13dBm	
Input Return Loss		-10dB	
Output Return Loss		-10dB	
Spec Temp		25C	





AT-LNA-6090-2506

60-90GHz Low Noise Amplifier

Mechanical Information

Item	Description
Input Port	WR-12
Output Port	WR-12
Case Material	Copper
Finish	Gold Plated
Weight (Without Heatsink)	130g
Size:	42x28x21.95 mm

Absolute Maximum Ratings Table

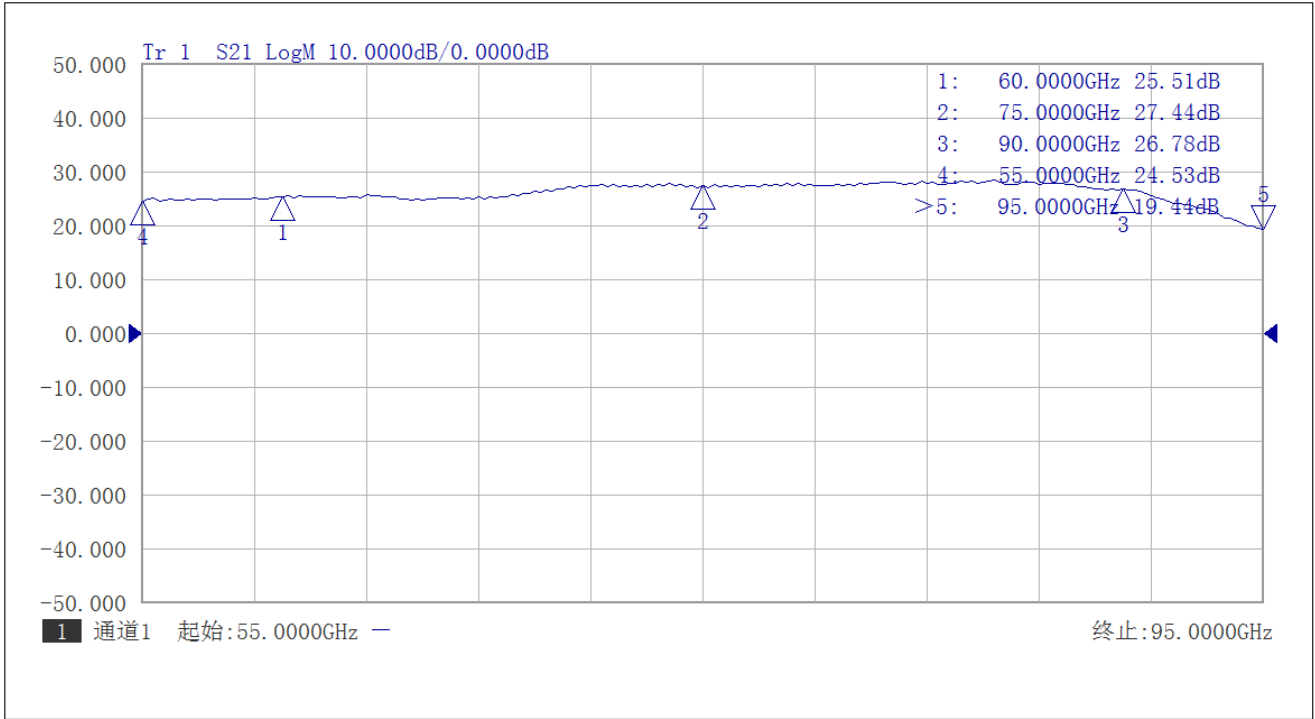
Parameter	Value
Drain Supply	+9V
RF Input Power	+10dBm
Operating Temperature	0 to +50C
Storage Temperature	-65 to +150C

Notes:

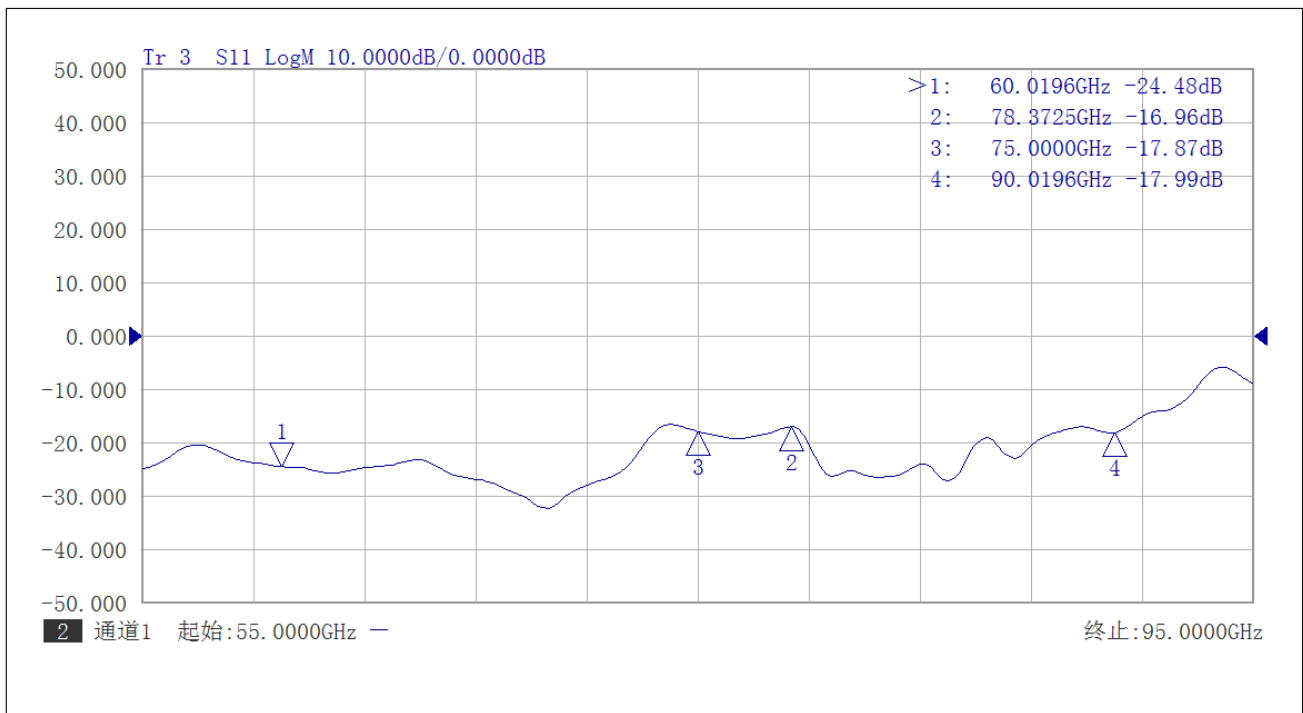
1. Datasheet may be changed according to update of MMIC, Raw materials , process, and so on.
2. This data is only for reference, not for guaranteed specifications.
3. Please contact AT Microwave team to make sure you have the most current data.



Test Data:

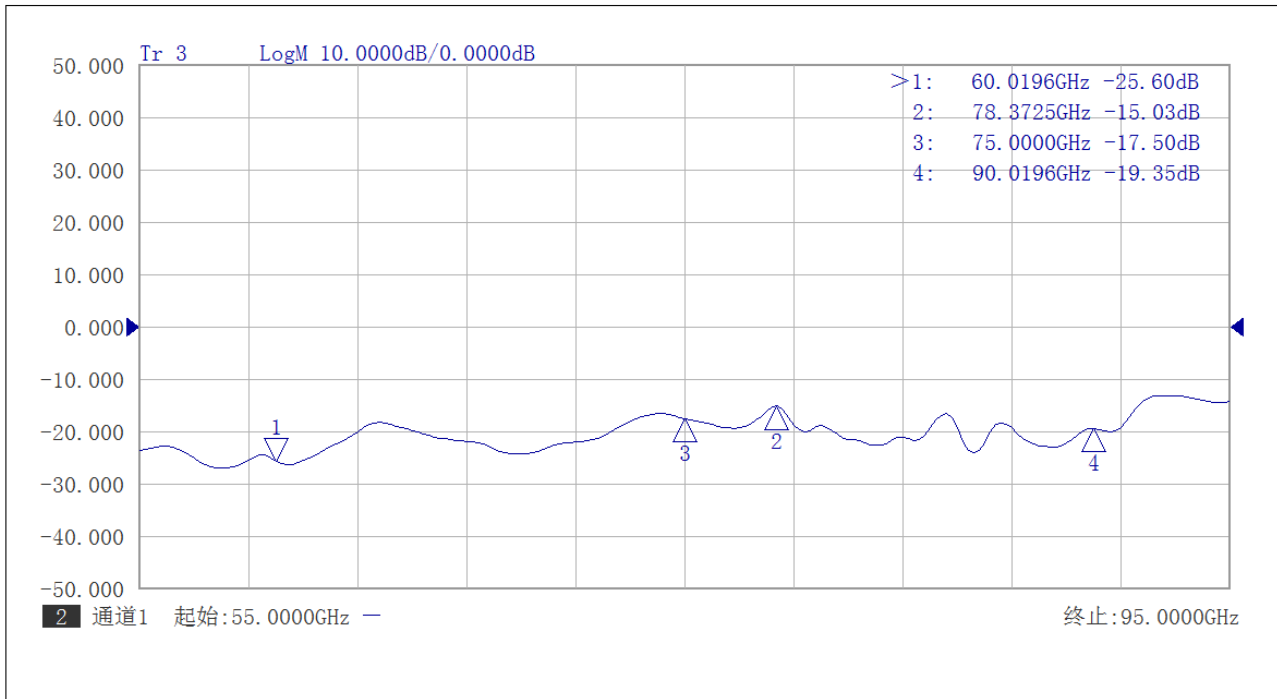


Gain vs Frequency

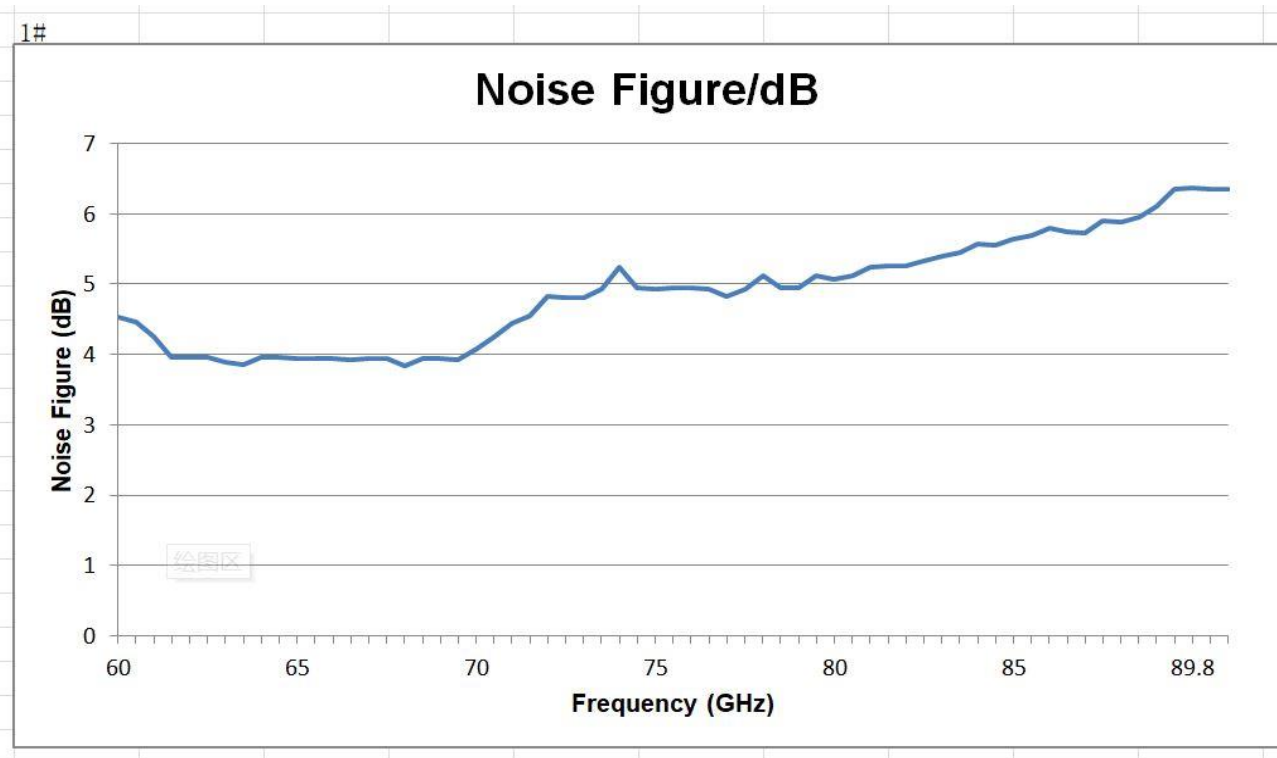


Input Return Loss vs Frequency

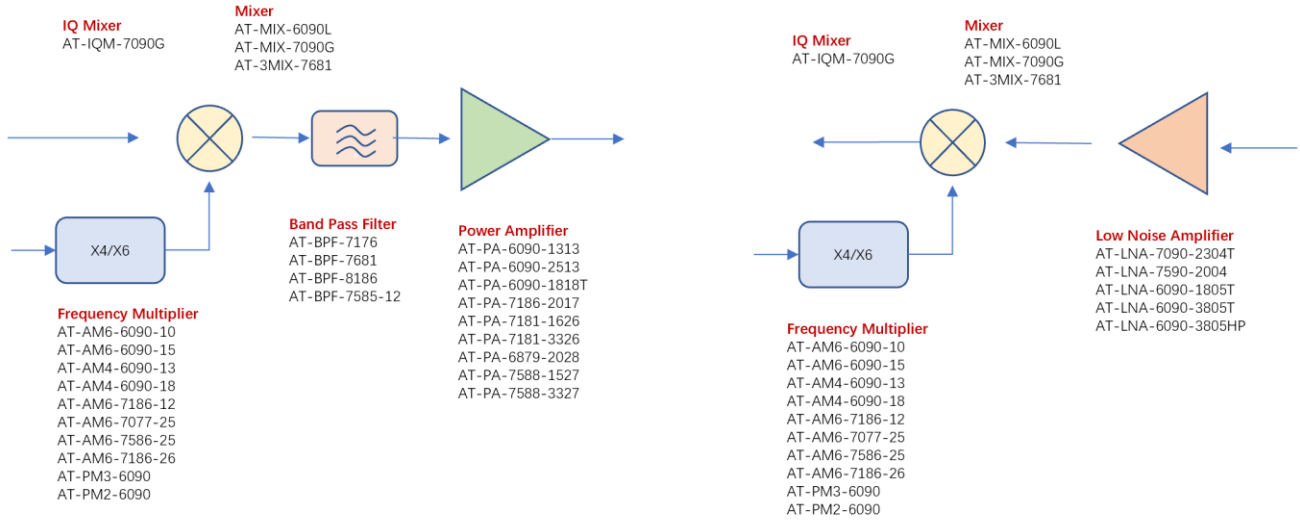




Output Return Loss vs Frequency



E Band 60-90GHz



Dimension:

