

## 55-65GHz Broadband Low Noise Amplifier



### Product Overview

AT-LNA-5565-1805V is Low Noise Amplifier with 5dB Noise Figure in the frequency of 55-65GHz. The DC power requirement is +5V/80mA. The module is with 1.85mm Female

AT Microwave can provide all kinds of coaxial low noise amplifiers, with frequency from 0.01-65GHz, gain from 20 to 65dB, Pout from +5 to +27dBm, and connectors from SMA to 1.85mm.

More information, please visit [www.atmicrowave.com](http://www.atmicrowave.com)

### Advantages

- ✓ Frequency: 55-65GHz
- ✓ Small signal gain: 18dB
- ✓ Noise Figure: 5dB
- ✓ Single Power Supply

### Application

- ✓ V Band Communication
- ✓ Test Equipment
- ✓ ROF (RF Over Fiber)
- ✓ Radar System

### Key Features

Parameter	Min	Typical	Max
Frequency		55-65GHz	
Gain	15dB	18dB	
Gain Flatness		+/-1.5dB	+/-3dB
NF		5dB	8
P1dB		+8dBm	
Psat		+10dBm	
Drain Supply		+5V	+8V
Current		80 mA	
Input Return Loss		-5 dB	
Output Return Loss		-5 dB	
Spec Temp		25C	





# AT-LNA-5565-1805V

55-65GHz Low Noise Amplifier

## Mechanical Information

Item	Description
Input Port	1.85mm Female
Output Port	1.85mm Female
Case Material	Copper
Finish	Gold Plated
Package Sealing	Epoxy Sealed
Weight (Without Heatsink)	50g
Size:	30x30x14 mm

## Absolute Maximum Ratings Table

Parameter	Value
Drain Supply	+9V
RF Input Power	-10dBm
Operating Temperature	-20 to +70C
Storage Temperature	-65 to +150C

### Caution:

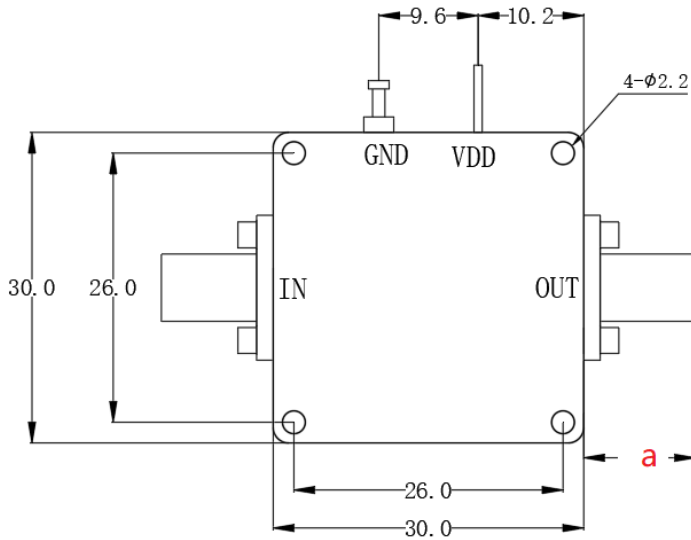
Please pay attention to the case temperature. If case temperature exceed higher than +50C, heat sink and fan are required, or the amplifier may be damaged.

### Notes:

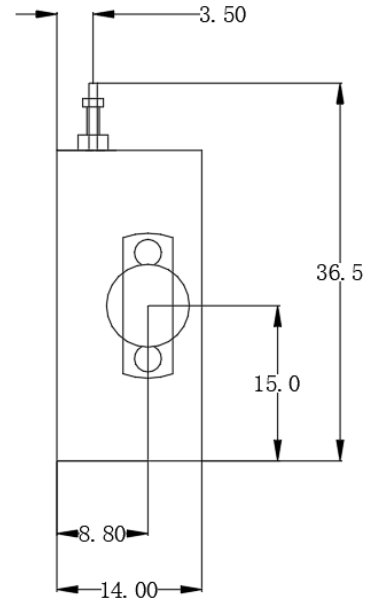
1. Datasheet may be changed according to update of MMIC, Raw materials , process, and so on.
2. This data is only for reference, not for guaranteed specifications.
3. Please contact AT Microwave team to make sure you have the most current data.



**Dimension:** (unit in mm)



In millimetres



	<26.5GHz	<40GHz	<50GHz	<67GHz
Connector	SMA	2.92mm	2.4mm	1.85mm
Length of a	9.4mm	9.5mm	10.8mm	11.3mm

Note: Female Default. Contact with us for other types.

