



AT-LNA-5075-1825T

Full V Band Low Noise Amplifier

50-75GHz Low Noise Amplifier

Super Low NF=2.5dB, WR-15

2022-10-1



Product Overview

AT-LNA-5075-1825T is low noise amplifier with 18dB gain in the frequency of 50-75GHz. The DC power requirement is +5V/30mA. The module is with a standard WR-15 waveguide.

High gain modules with 38dB gain modules is available, PN: AT-LNA-5075-3825T.

More information, please visit www.atmicrowave.com

Advantages

- ✓ Frequency: 50-75GHz
- ✓ NF: 2.5dB
- ✓ Small signal gain: 18dB
- ✓ Single Power Supply

Application

- ✓ V Band Communication
- ✓ Test Equipment
- ✓ ROF (RF Over Fiber)
- ✓ Radar System

Key Features

Parameter	Min	Typical	Max
Frequency		50-75GHz	
Gain	15	18dB	
Drain Supply		+5V	+8V
NF		2.5 dB	3.5dB
P1dB		-3dBm	
Psat		+0dBm	
Current		30 mA	
Input Return Loss		-8dB	
Output Return Loss		-12dB	
Spec Temp		25C	





AT-LNA-5075-1825T

Full V Band Low Noise Amplifier

Mechanical Information

Item	Description
Input Port	WR-15 UG-385/U Flange with anti-cocking Flange
Output Port	WR-15 UG-385/U Flange with anti-cocking Flange
Case Material	Copper
Finish	Gold Plated
Weight	100g
Size:	See outline

Absolute Maximum Ratings Table

Parameter	Value
Drain Supply	+9V
RF Input Power	+5dBm
Operating Temperature	0 to +50C
Storage Temperature	-65 to +125C

Notes:

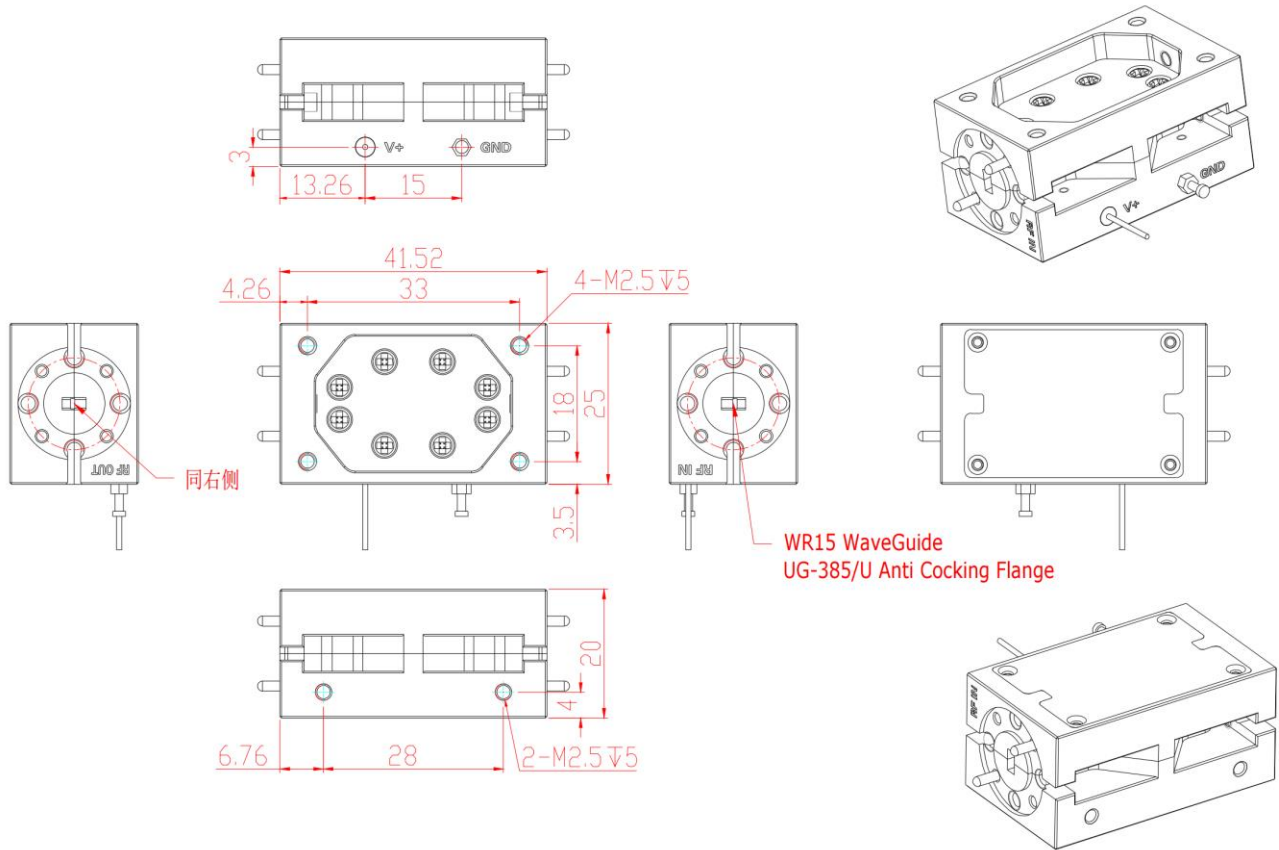
1. Datasheet may be changed according to update of MMIC, Raw materials , process, and so on.
2. This data is only for reference, not for guaranteed specifications.
3. Please contact AT Microwave team to make sure you have the most current data.

Part Number Selection Guide

Item	Description
PN	Stand Module with DC Power Supply
PN-LCBT	L ow Cost, C ompact B ench- T op, +220V Supply with AC/DC Adapter



Dimension: (unit in mm)



PCN

Date	Description
2022-10-1	Outline updated with anti-cocking flange. All RF Performance un-changed.

