

22-32GHz Super-Low NF Low Noise Amplifier



Product Overview

AT-LNA-2232-2302T is super low NF, broadband low noise amplifier from 22GHz to 32GHz. The NF is 2dB for the full-band. The DC power requirement is +5V/30mA. It also works with power supply from +5V to +8V. The module is with 2.92mm Female.

AT Microwave can provide all kinds of coaxial low noise amplifiers, with frequency from 0.01-67GHz, gain from 20 to 60dB, Pout from +5 to +27dBm, and connectors from SMA to 1.85mm.

More information, please visit www.atmicrowave.com

Advantages

- ✓ Frequency: 22-32GHz
- ✓ Small signal gain: 23dB
- ✓ Noise Figure: 2.0 dB
- ✓ Single Power Supply

Application

- ✓ Broadband Communication
- ✓ Test Equipment
- ✓ ROF (RF Over Fiber)
- ✓ Radar System

Key Features

Parameter	Min	Typical	Max
Frequency		22-32GHz	
Gain	20dB	23dB	
Gain Flatness		+/-1dB	
NF		2dB	2.5dB
P1dB		+3dBm	
Psat		+4dBm	
Drain Supply		+5V	+8V
Current		30 mA	
Input Return Loss	-5	-8 dB	
Output Return Loss	-5	-8 dB	
Spec Temp		25C	





AT-LNA-2232-2302T

22-32GHz Low Noise Amplifier

Mechanical Information

Item	Description
Input Port	2.92mm Female
Output Port	2.92mm Female
Case Material	Copper
Package Sealing	Epoxy Sealed
Finish	Gold Plated
Weight (Without Heatsink)	50g
Size:	20X20X8 mm

Absolute Maximum Ratings Table

Parameter	Value
Drain Supply	+13V
RF Input Power	+10dBm
Operating Temperature	-40 to +85C
Storage Temperature	-55 to +125C

Caution:

Please pay attention to the case temperature. If case temperature exceed higher than +50C, heat sink and fan are required, or the amplifier may be damaged.

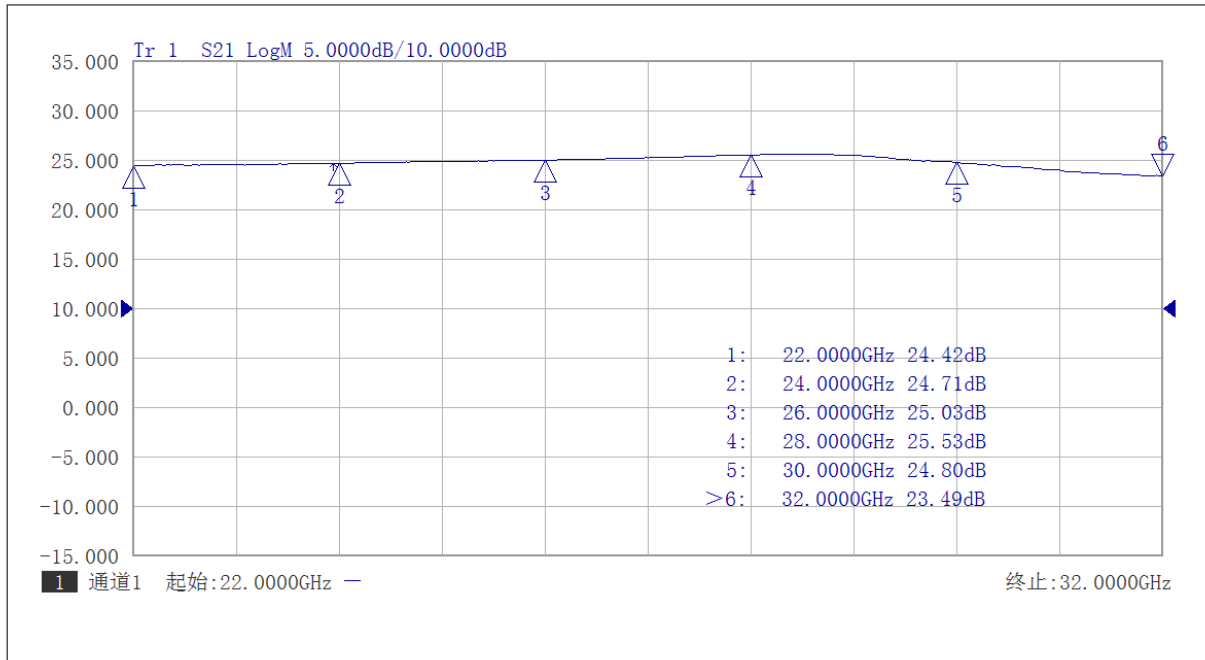
Notes:

1. Datasheet may be changed according to update of MMIC, Raw materials , process, and so on.
2. This data is only for reference, not for guaranteed specifications.
3. Please contact AT Microwave team to make sure you have the most current data.

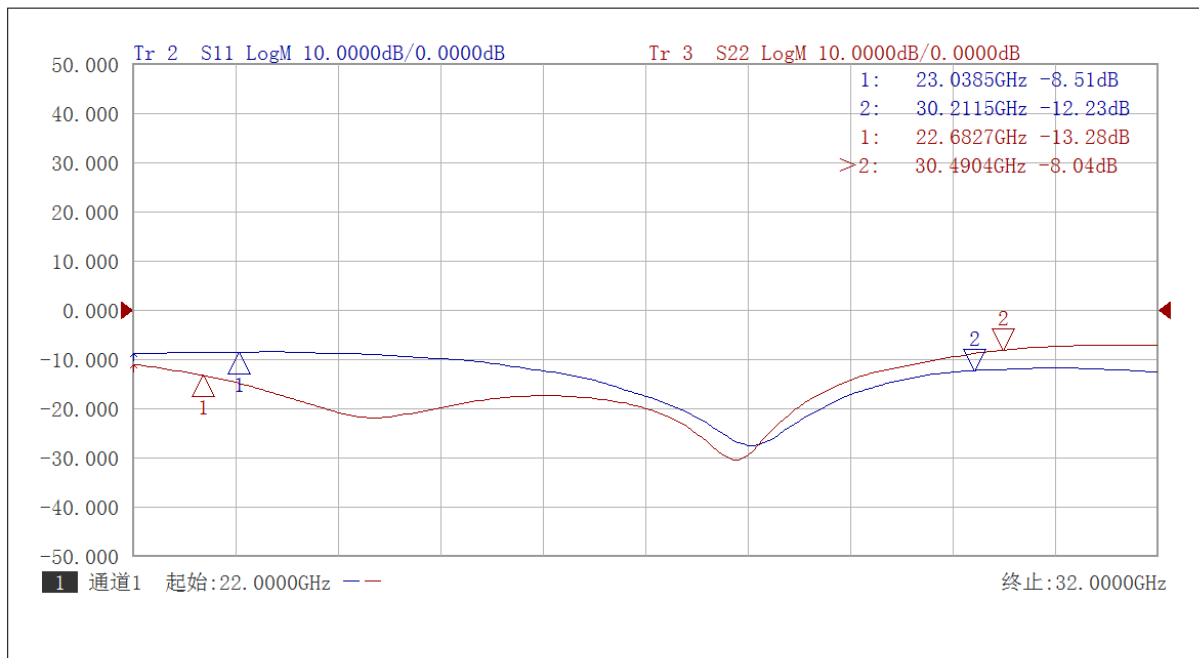


Test Data (25C)

Please note that test curves will vary slightly from unit to unit.

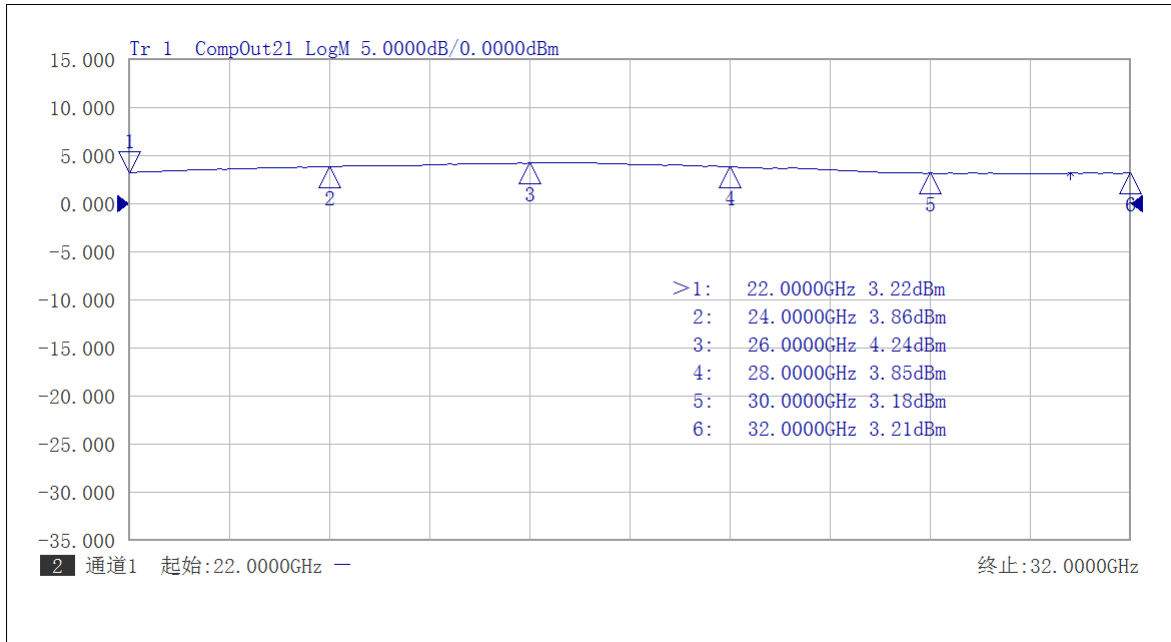


Gain vs Frequency

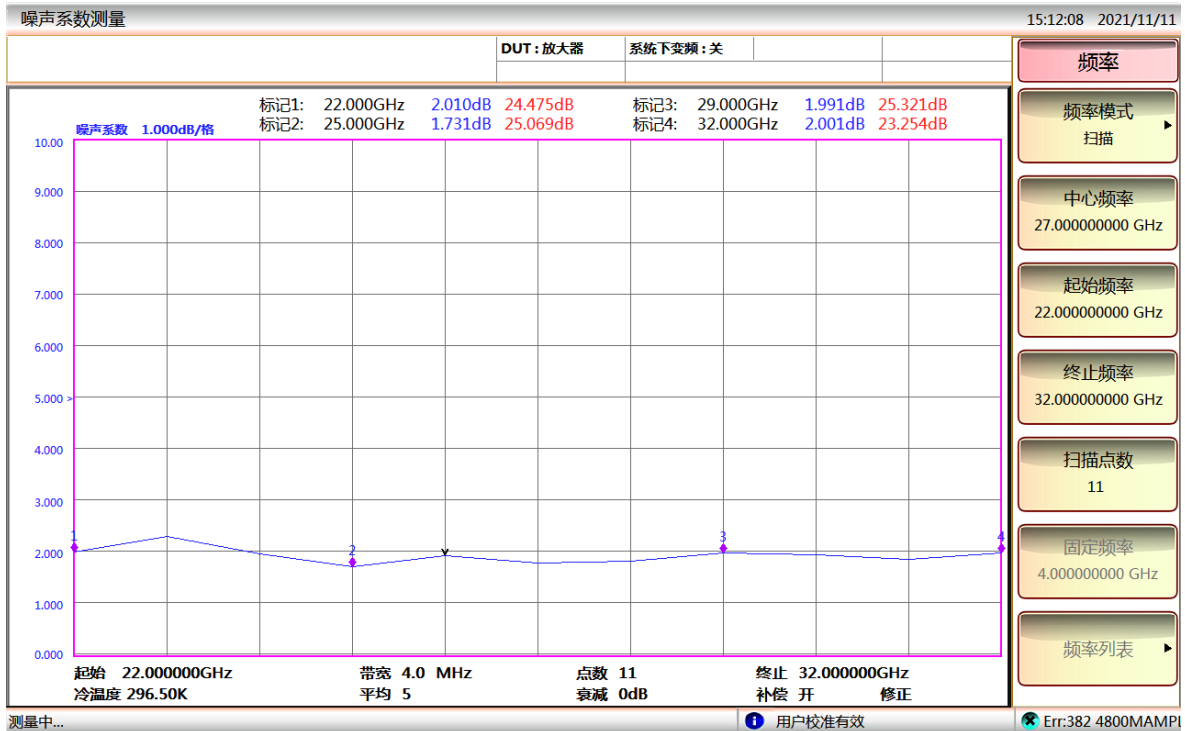


Return Loss vs Frequency





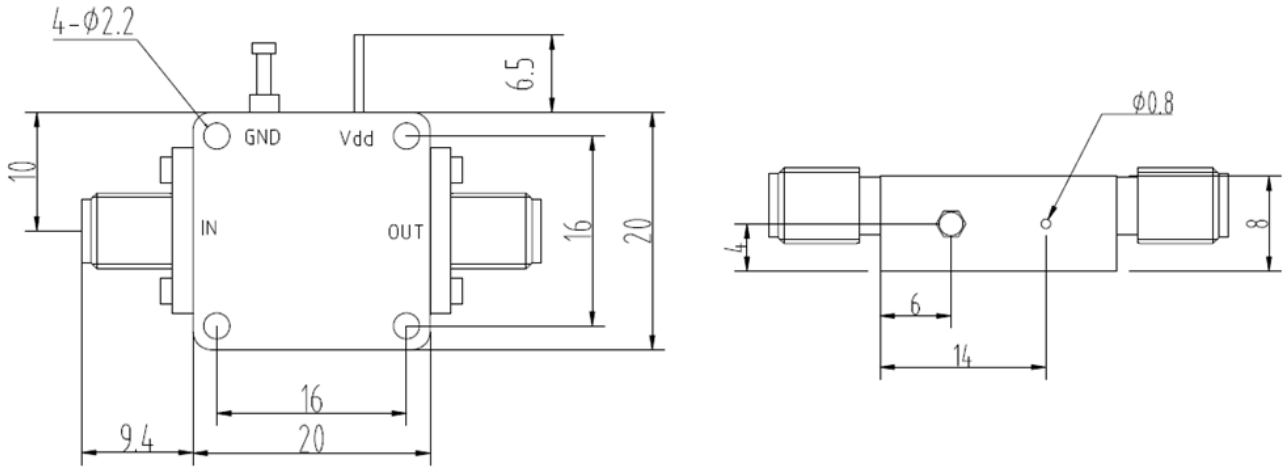
P1dB vs Frequency



NF vs Frequency



Dimension: (unit in mm)



	<26.5GHz	<40GHz	<50GHz	<67GHz
Connector	SMA	2.92mm	2.4mm	1.85mm
Lenth of a	9.4mm	9.5mm	10.8mm	11.3mm

Note: Female Default. Contact with us for other types.

