

### 18-40GHz Low Noise Amplifier

2022-4-29

### High gain, High Power, Low NF, 2.92mm



#### Product Overview

AT-LNA-1840-4035P23 is high gain low noise amplifier with 40dB gain in the frequency of 18-40GHz. The DC power requirement is +12V/400mA. The module is with 2.92mm connector.

AT Microwave can provide all kinds of coaxial low noise amplifiers, with frequency from 0.01-67GHz, gain from 20 to 60dB, Pout from +5 to +27dBm, and connectors from SMA to 1.85mm. If you don't find what you need, just send us email [sales@atmicrowave.com](mailto:sales@atmicrowave.com)

#### Advantages

- ✓ Frequency: 18-40GHz
- ✓ Small signal gain: 40dB
- ✓ NF=3.5dB
- ✓ Single Power Supply

#### Application

- ✓ 5G Communication
- ✓ Test Equipment
- ✓ ROF (RF Over Fiber)
- ✓ Radar System

#### Key Features

Parameter	Min	Typical	Max
Frequency		18-40GHz	
Gain	40dB	43dB	
Gain Flatness		+/-1.5dB	+/-2.5dB
NF		3.5dB	5dB
P1dB	+21dBm	+22dBm	
Psat	+22dBm	+23dBm	
Drain Supply		+12V	15V
Idd NO RF		0.3A	
IDD at Psat		0.4A	0.5A
Input Return Loss		-10dB	
Output Return Loss		-8dB	
Spec Temp		25C	





# AT-LNA-1840-4035P23

18-40GHz Low Noise Amplifier

## Mechanical Information

Item	Description
Input Port	2.92mm Female
Output Port	2.92mm Female
Case Material	Copper
Finish	Gold Plated
Package Sealing	Epoxy Sealed
Weight (Without Heatsink)	80g
Size:	45x34x9.5 mm

## Absolute Maximum Ratings Table

Parameter	Value
Drain Supply	+36V
RF Input Power	+20 dBm
Operating Temperature	-40 to +85C
Storage Temperature	-55 to +125C

## Notes:

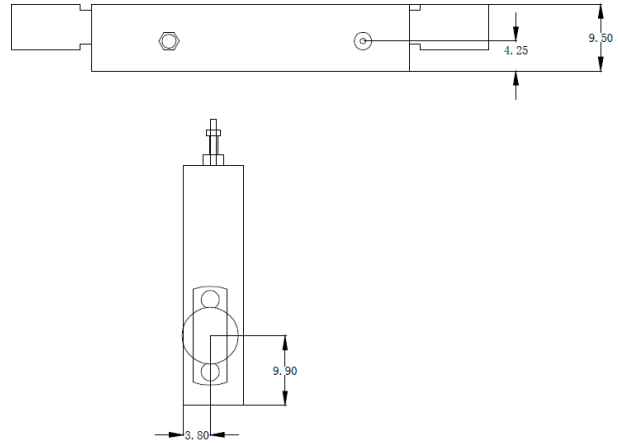
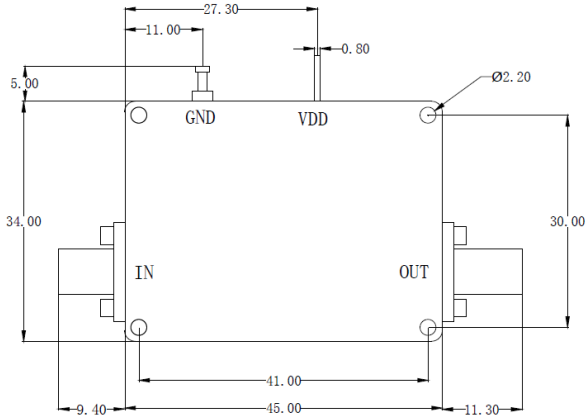
1. Datasheet may be changed according to update of MMIC, Raw materials , process, and so on.
2. This data is only for reference, not for guaranteed specifications.
3. Please contact AT Microwave team to make sure you have the most current data.

## Part Number Selection Guide

Item	Description
PN	Stand Module with DC Power Supply
<b>PN-LCBT</b>	<b>L</b> ow Cost, <b>C</b> ompact <b>B</b> ench- <b>T</b> op, +220V Supply with AC/DC Adapter

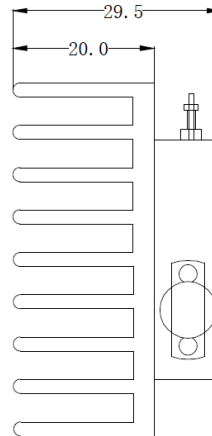
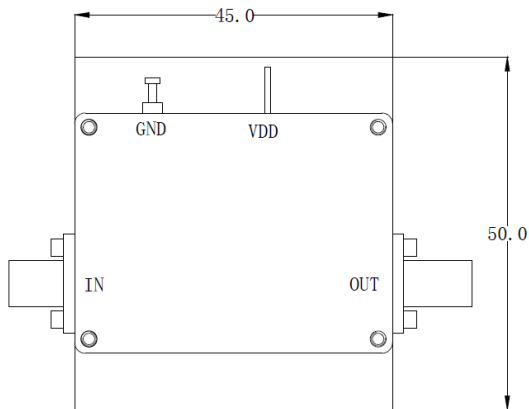


## Dimension: (unit in mm)



	<26.5GHz	<40GHz	<50GHz	<67GHz
Connector	SMA	2.92mm	2.4mm	1.85mm
Length of a	9.4mm	9.5mm	10.8mm	11.3mm

Note: Female Default. Contact with us for other types.



Including a small heatsink without Fan if output Power higher than +20dBm.  
Customers can removed it or use their own heatsink according to actual situation.

Heat Sink Required During Operation if Temp over 50C

