

18-40GHz Low Noise Amplifier, Gain=33dB Positive Gain Slop, NF=3.5dB



Product Overview

AT-LNA-1840-3335Y is high gain low noise amplifier with 33dB gain in the frequency of 18-40GHz. The DC power requirement is +5V/220mA. The module is with 2.92mm connector.

AT Microwave can provide all kinds of coaxial low noise amplifiers, with frequency from 0.01-67GHz, gain from 20 to 60dB, Pout from +5 to +27dBm, and connectors from SMA to 1.85mm. If you don't find what you need, just send us email sales@atmicrowave.com

Advantages

- ✓ Frequency: 18-40GHz
- ✓ Small signal gain: 33dB
- ✓ NF=3.5dB
- ✓ Single Power Supply

Application

- ✓ 5G Communication
- ✓ Test Equipment
- ✓ ROF (RF Over Fiber)
- ✓ Radar System

Key Features

Parameter	Min	Typical	Max
Frequency		18-40GHz	
Gain	30	33dB	
Gain Flatness		Positive Gain Slop	
NF		3.5	4.5
P1Db		+10dBm	
Psat		+13dBm	
Drain Supply		+5V to +8V	+9V
Current		220 mA	
Input Return Loss	-5	-10dB	
Output Return Loss	-5	-10dB	
Spec Temp		25C	





AT-LNA-1840-3335Y

18-40GHz Low Noise Amplifier

Mechanical Information

Item	Description
Input Port	2.92mm Female
Output Port	2.92mm Female
Case Material	Copper
Finish	Gold Plated
Package Sealing	Epoxy Sealed
Weight (Without Heatsink)	80g
Size:	45x34x9.5 mm

Absolute Maximum Ratings Table

Parameter	Value
Drain Supply	+13V
RF Input Power	+20 dBm
Operating Temperature	-40 to +85C
Storage Temperature	-55 to +125C

Notes:

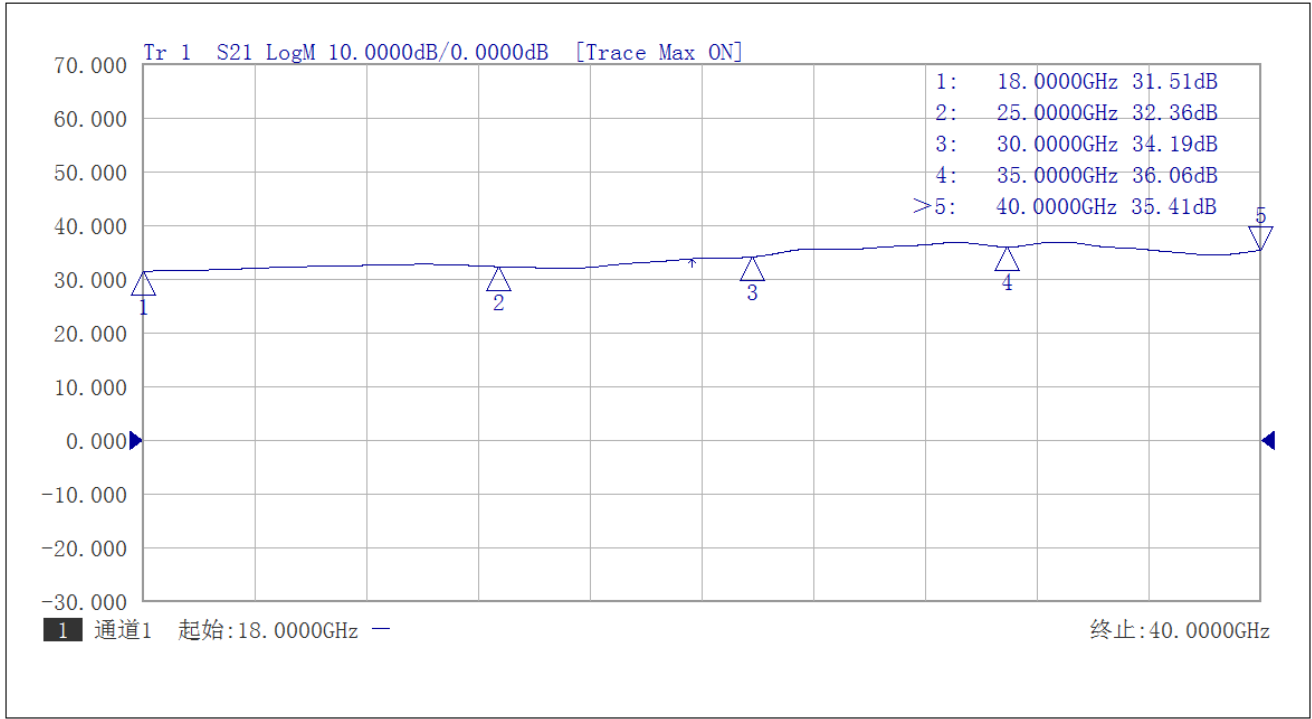
1. Datasheet may be changed according to update of MMIC, Raw materials , process, and so on.
2. This data is only for reference, not for guaranteed specifications.
3. Please contact AT Microwave team to make sure you have the most current data.

Part Number Selection Guide

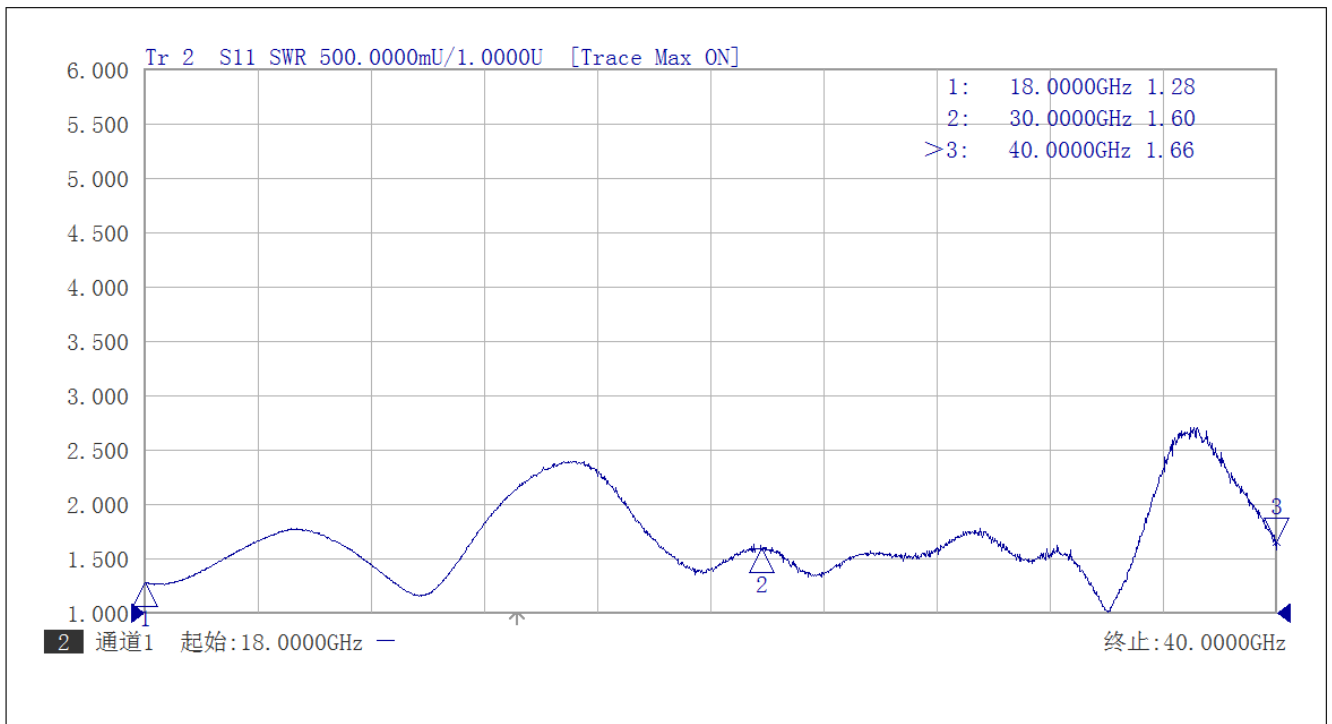
Item	Description
PN	Stand Module with DC Power Supply
PN-LCBT	L ow Cost, C ompact B ench- T op, +220V Supply with AC/DC Adapter



Test Data(25C)

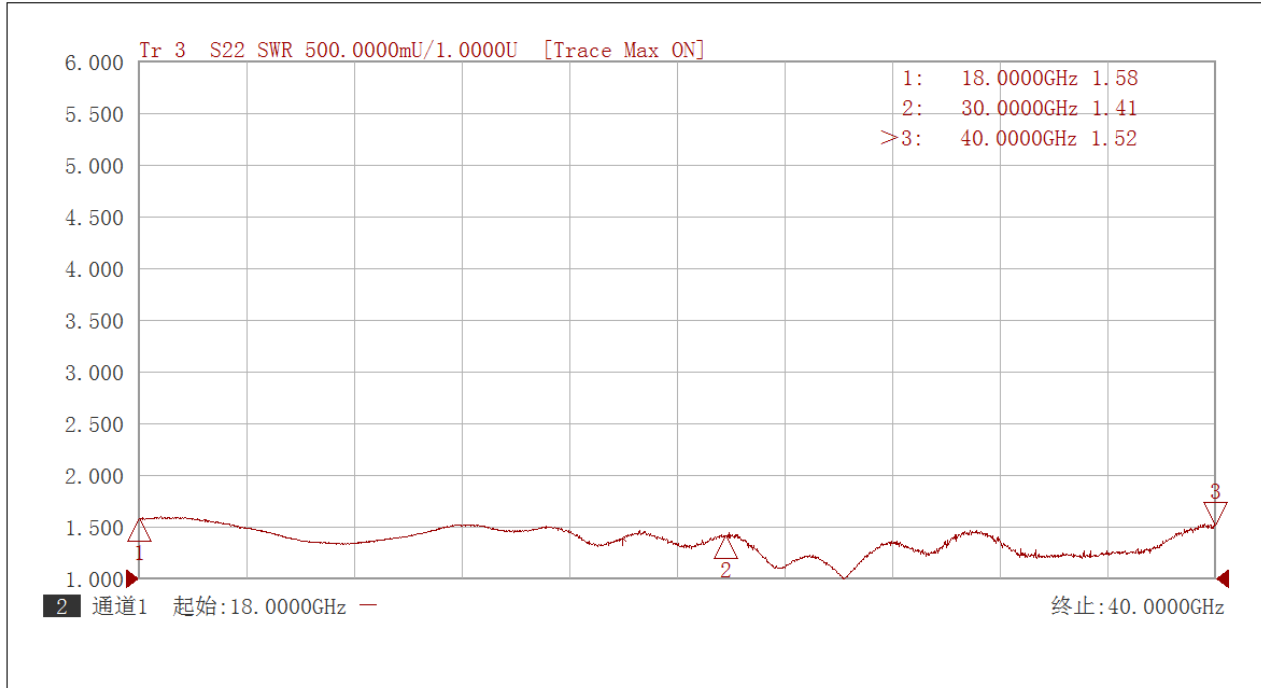


Gain VS Frequency

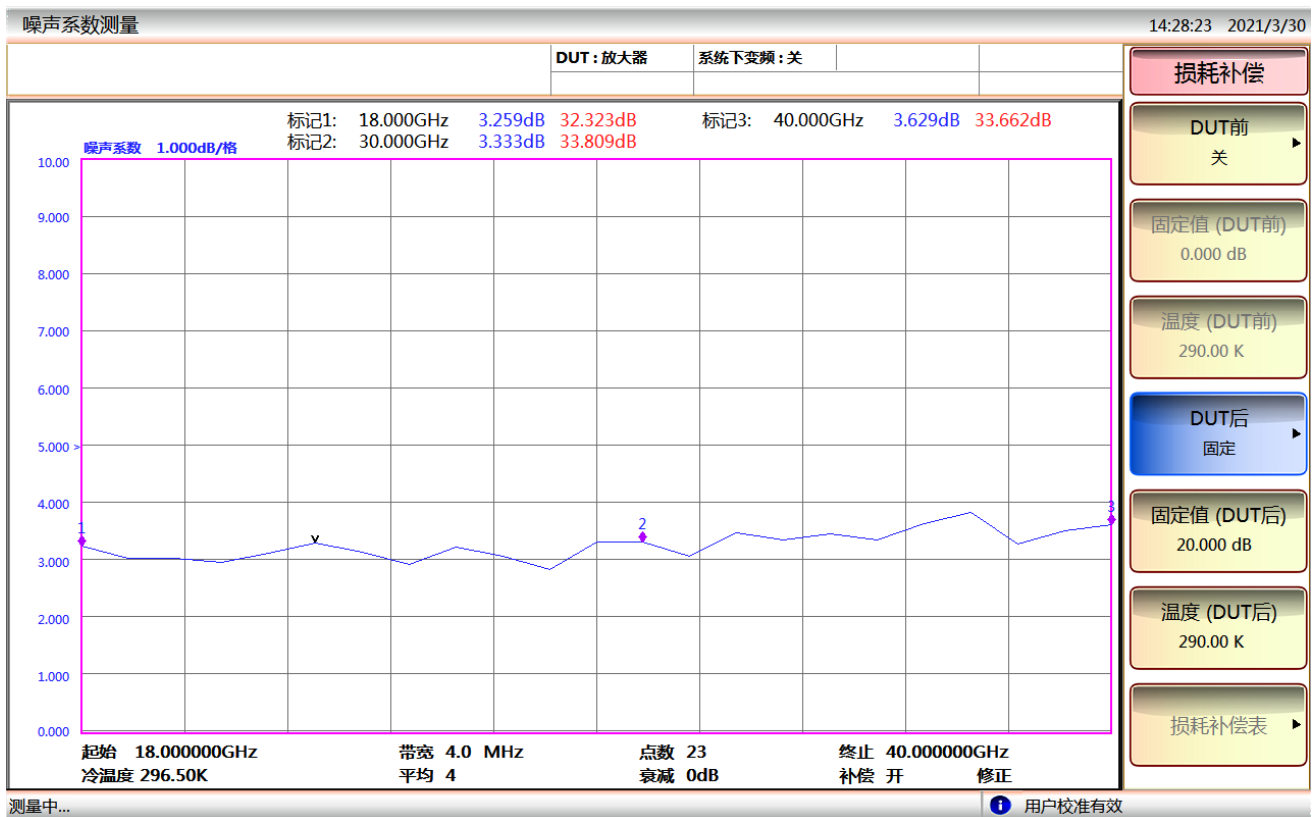


Input VSWR



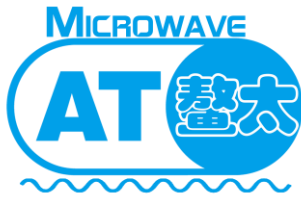


Output VSWR



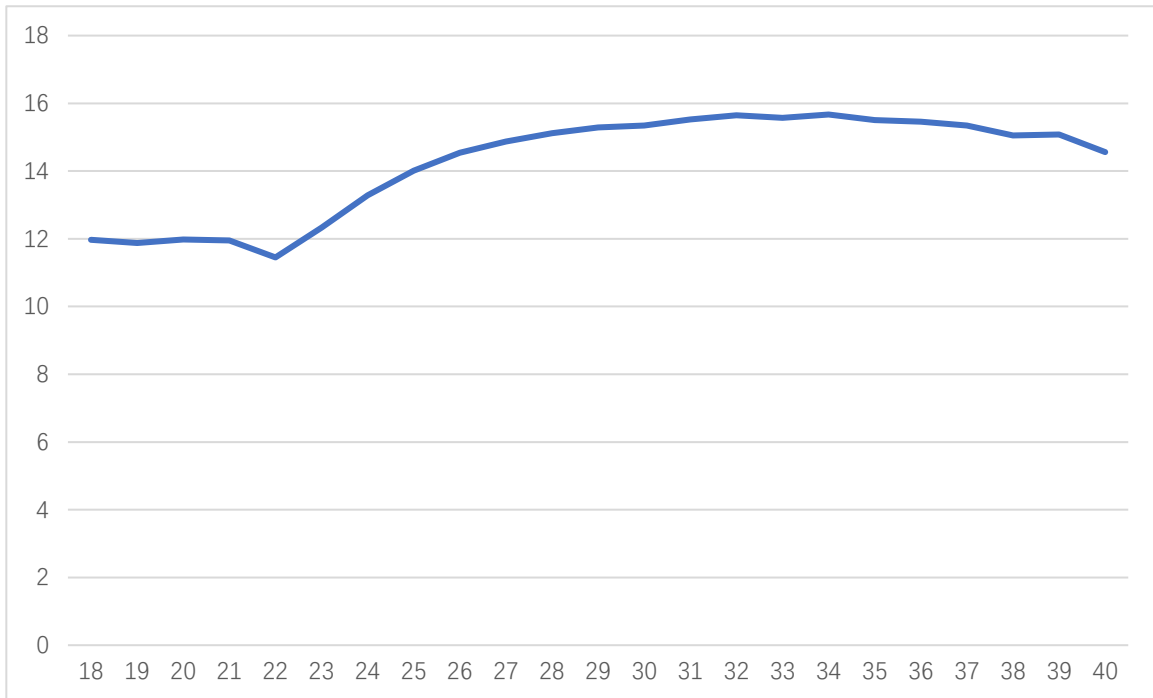
NF vs Frequency



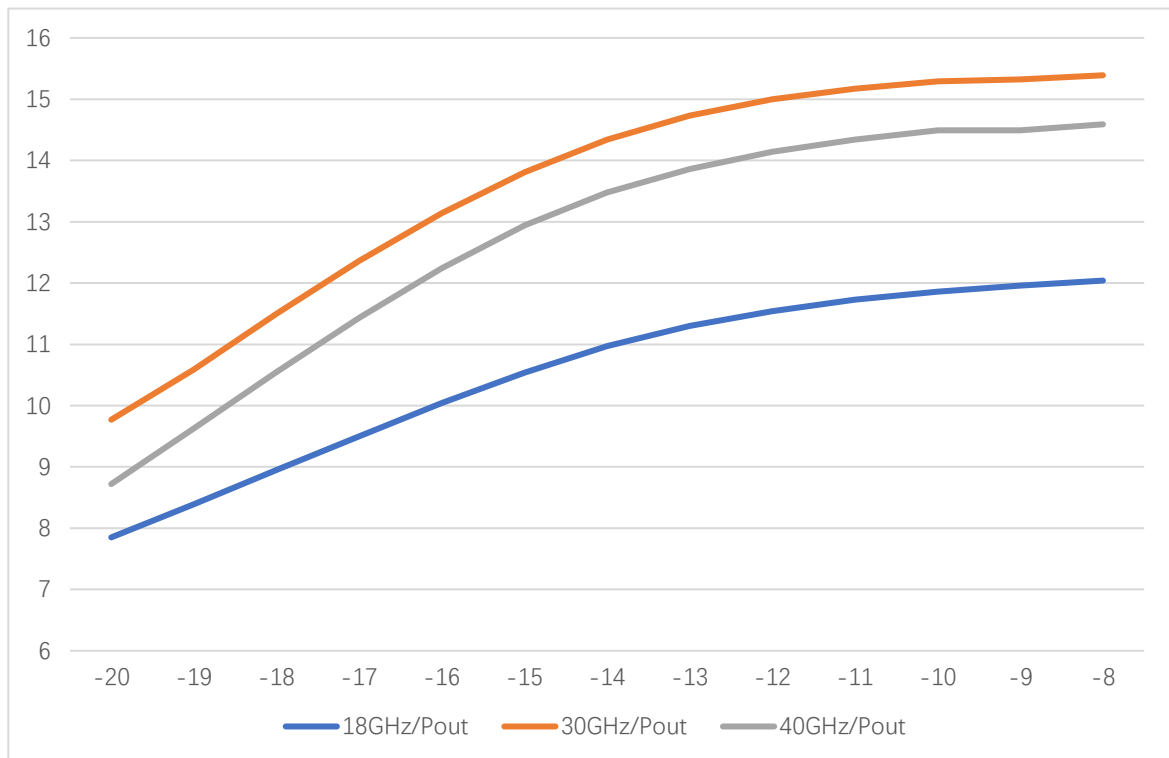


AT-LNA-1840-3335Y

18-40GHz Low Noise Amplifier



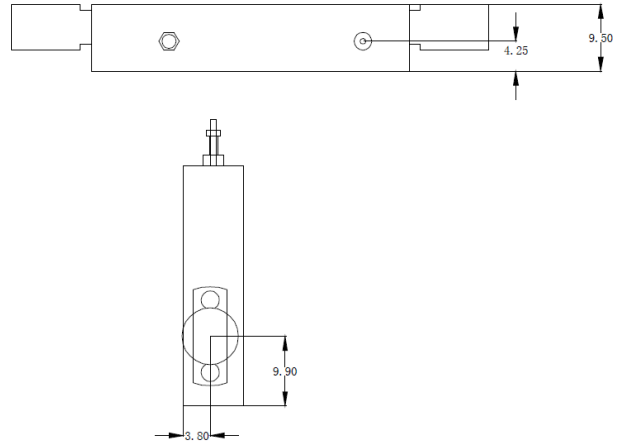
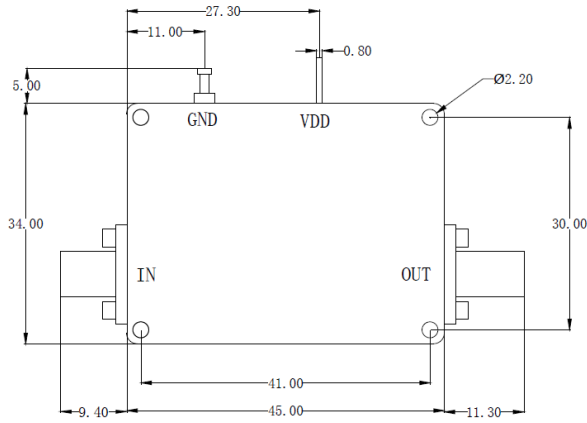
Psat vs Frequency



Pout vs Pin at 18/30/40GHz



Dimension: (unit in mm)



	<26.5GHz	<40GHz	<50GHz	<67GHz
Connector	SMA	2.92mm	2.4mm	1.85mm
Length of a	9.4mm	9.5mm	10.8mm	11.3mm

Note: Female Default. Contact with us for other types.

Heat Sink Required If Case Temp Higher Than 50C

PCN History

Date	Description
2020-12-15	Change Nickel plated to Gold Plated. Change Screw assembly to Epoxy Sealing. RF Performance unchanged.
2021-8-3	Add more test data

