

18-32GHz Low Noise Amplifier



Product Overview

AT-LNA-1832-2503Y is high gain low noise amplifier with 27dB gain in the frequency of 18-32GHz. The DC power requirement is +5V/150mA. The module is with 2.92mm connector.

AT Microwave can provide all kinds of coaxial low noise amplifiers, with frequency from 0.01-67GHz, gain from 20 to 60dB, Pout from +5 to +27dBm, and connectors from SMA to 1.85mm. If you don't find what you need, just send us email sales@atmicrowave.com

Advantages

- ✓ Frequency: 18-32GHz
- ✓ Small signal gain: 27dB
- ✓ NF=3dB
- ✓ Single Power Supply

Application

- ✓ 5G Communication
- ✓ Test Equipment
- ✓ ROF (RF Over Fiber)
- ✓ Radar System

Key Features

Parameter	Min	Typical	Max
Frequency		18-32GHz	
Gain	25dB	27dB	
Gain Flatness		+/-0.8dB	
NF		3 dB	
P1dB		+10dBm	
Drain Supply		+5V	+9V
Current		160 mA	
Input /Output VSWR		1.5	2.5
Spec Temp		25C	





AT-LNA-1832-2503Y

18-32GHz Low Noise Amplifier

Mechanical Information

Item	Description
Input Port	2.92mm Female
Output Port	2.92mm Female
Case Material	Copper
Finish	Gold Plated
Weight	80g
Size:	See outline

Absolute Maximum Ratings Table

Parameter	Value
Drain Supply	+13V
RF Input Power	+20dBm
Operating Temperature	-40 to +85C
Storage Temperature	-55 to +125C

Note: -40 to +85C is available according to request.

Caution:

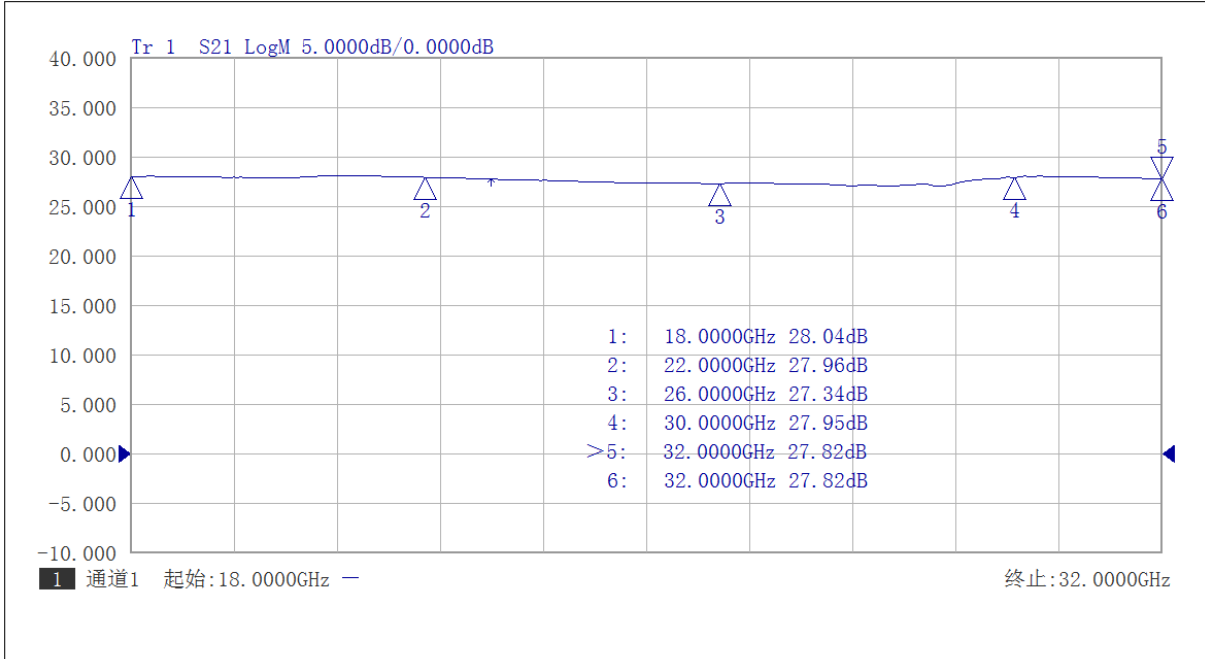
Please pay attention to the case temperature. If case temperature exceed higher than +50C, heat sink and fan are required, or the amplifier may be damaged.

Notes:

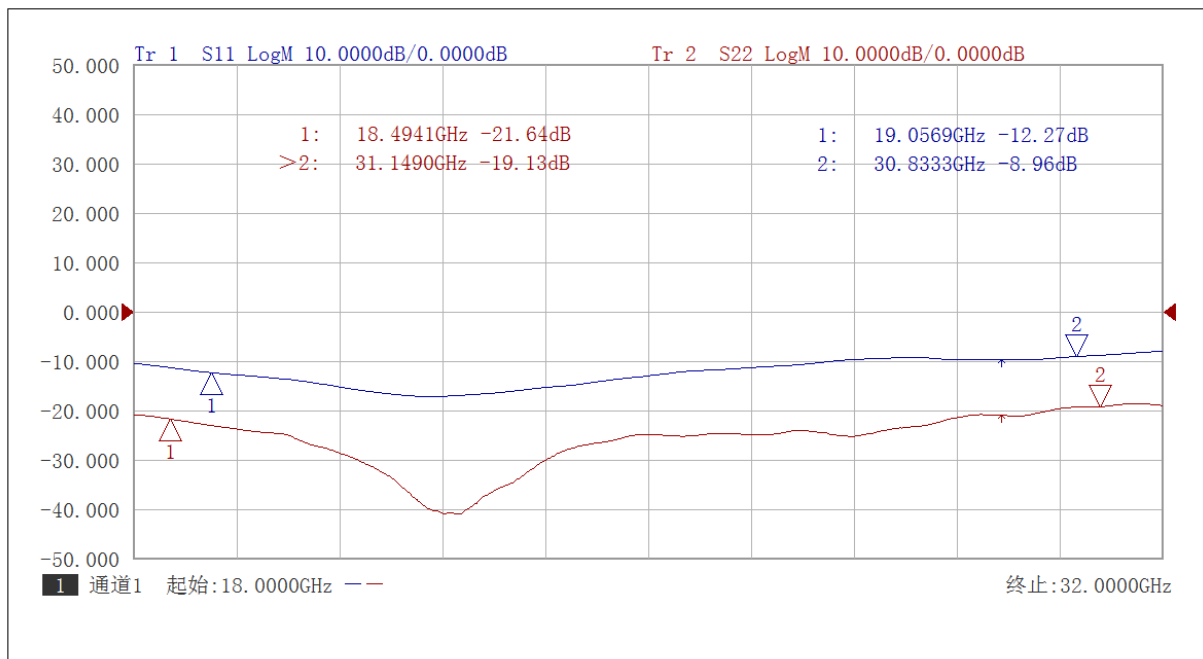
1. Datasheet may be changed according to update of MMIC, Raw materials , process, and so on.
2. This data is only for reference, not for guaranteed specifications.
3. Please contact AT Microwave team to make sure you have the most current data.



Test Data(25C)

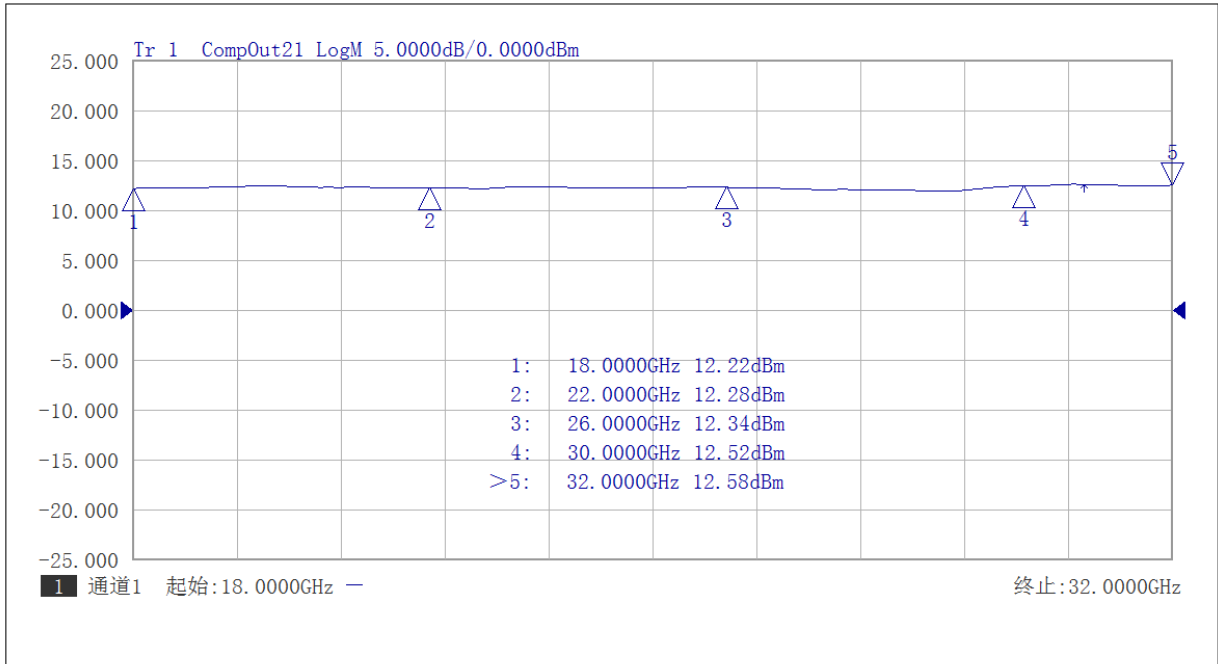


Gain Vs Frequency

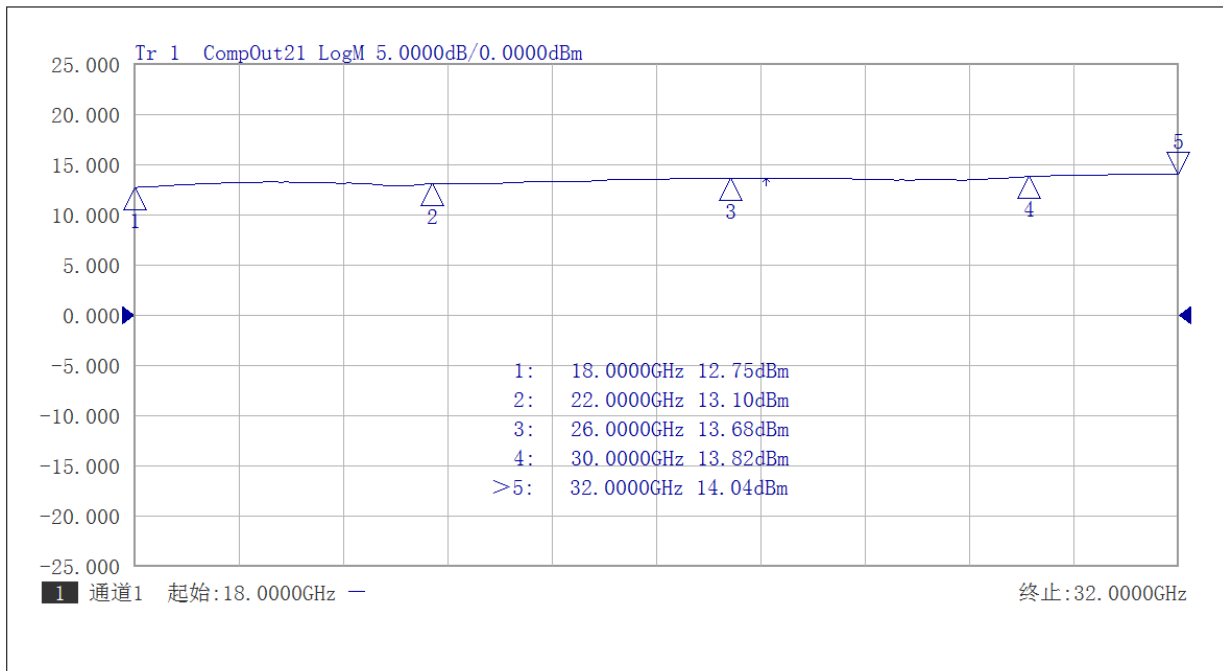


Return Loss vs Frequency



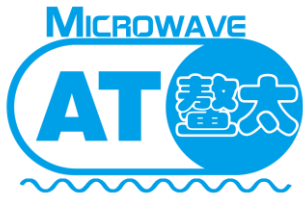


P1dB vs Frequency



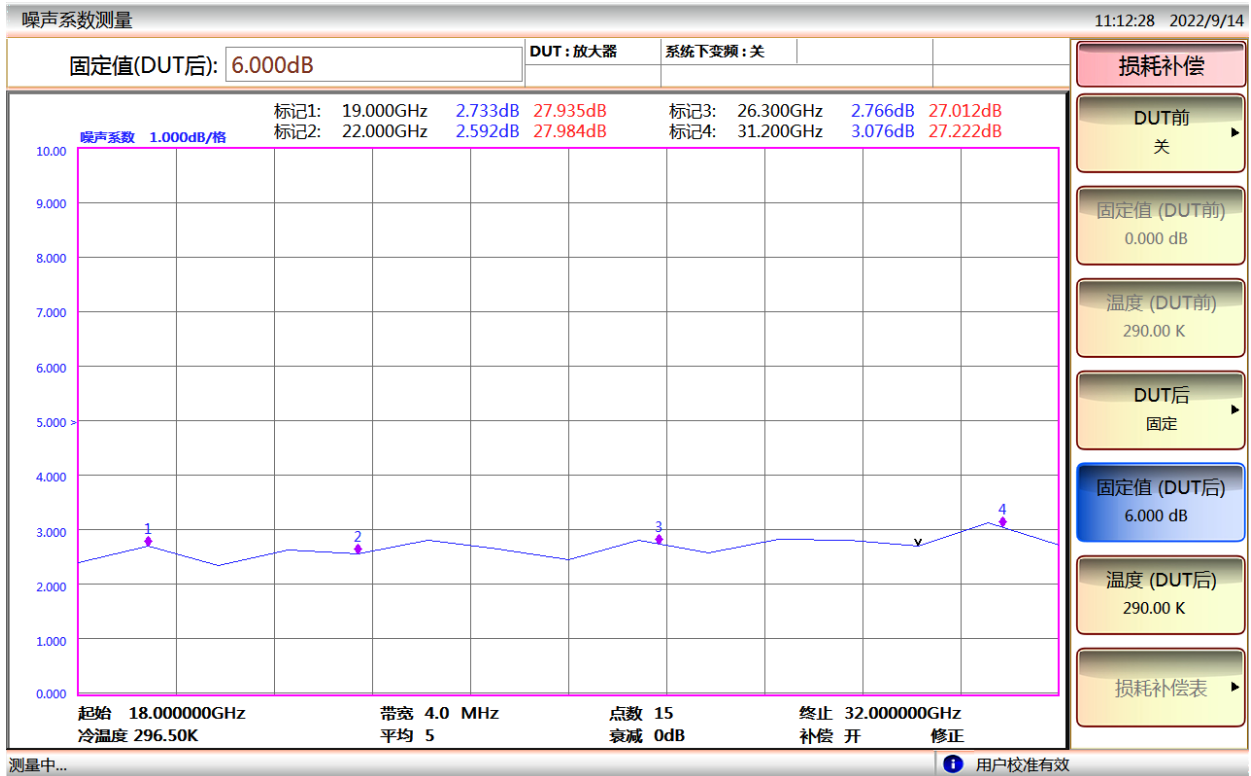
P3dB vs Frequency





AT-LNA-1832-2503Y

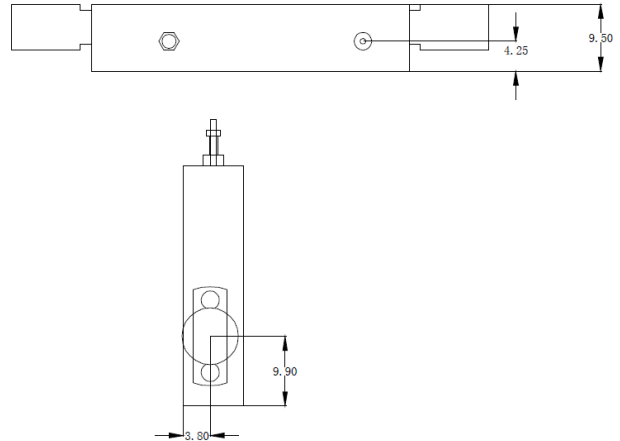
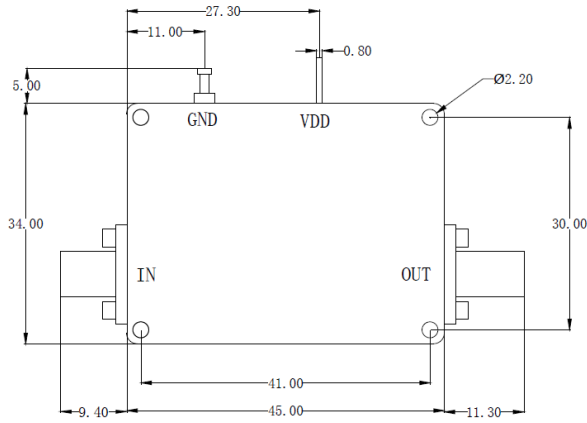
18-32GHz Low Noise Amplifier



NF Vs Frequency



Dimension: (unit in mm)



	<26.5GHz	<40GHz	<50GHz	<67GHz
Connector	SMA	2.92mm	2.4mm	1.85mm
Length of a	9.4mm	9.5mm	10.8mm	11.3mm

Note: Female Default. Contact with us for other types.

