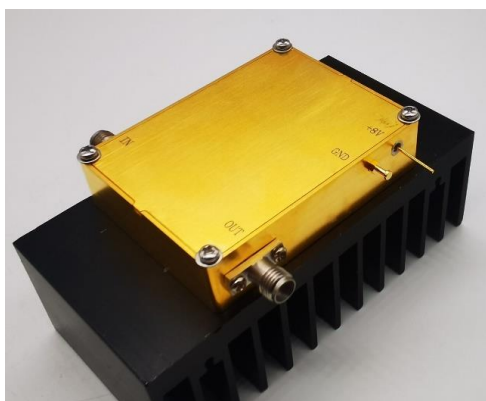




AT-LNA-1826-5002P28

18-26.5GHz Low Noise Amplifier

18-26.5GHz Super-Low NF Low Noise Amplifier, High Gain 50dB, High Power +28dBm



Product Overview

AT-LNA-1826-5002P28 is super low NF, broadband low noise amplifier from 18GHz to 26.5GHz. The NF is 2dB for the full-band. The DC power requirement is +12V/900mA. The module is with 2.92mm Female.

AT Microwave can provide all kinds of coaxial low noise amplifiers, with frequency from 0.01-67GHz, gain from 20 to 60dB, Pout from +5 to +27dBm, and connectors from SMA to 1.85mm.

More information, please visit www.atmicrowave.com

Advantages

- ✓ Frequency: 18-26.5GHz
- ✓ Small signal gain: 50dB
- ✓ Noise Figure: 2 dB
- ✓ High Power +28dBm

Application

- ✓ Broadband Communication
- ✓ Test Equipment
- ✓ ROF (RF Over Fiber)
- ✓ Radar System

Key Features

Parameter	Min	Typical	Max
Frequency		18-26.5GHz	
Gain	45dB	50dB	
Gain Flatness		+/-1.5dB	
NF		2dB	3dB
P1dB		+27dBm	
Psat		+28dBm	
Drain Supply		+12V	
Current		0.9A	1.2A
Input Return Loss	-8	-10 dB	
Output Return Loss	-8	-12 dB	
Spec Temp		25C	





AT-LNA-1826-5002P28

18-26.5GHz Low Noise Amplifier

Mechanical Information

Item	Description
Input Port	2.92mm Female
Output Port	2.92mm Female
Case Material	Copper
Package Sealing	Epoxy Sealed
Finish	Gold Plated
Weight (Without Heatsink)	50g
Size:	60x45x14 mm

Absolute Maximum Ratings Table

Parameter	Value
Drain Supply	+13V
RF Input Power	+10dBm
Operating Temperature	-40 to +85C
Storage Temperature	-55 to +125C

Notes:

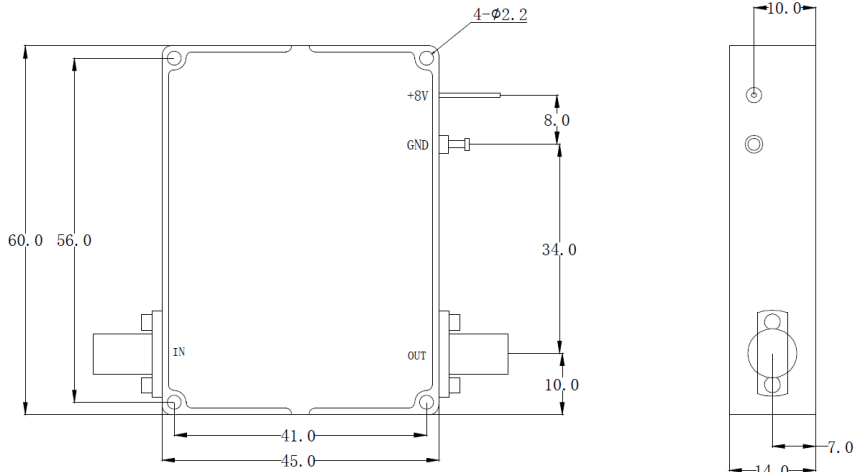
1. Datasheet may be changed according to update of MMIC, Raw materials , process, and so on.
2. This data is only for reference, not for guaranteed specifications.
3. Please contact AT Microwave team to make sure you have the most current data.

Part Number Selection Guide

Item	Description
AT-LNA-1826-5002P28	Stand Module with DC Power Supply
AT-LNA-1826-5002P28- LCBT	L ow Cost, C ompact B ench- T op, +220V Supply with AC/DC Adapter

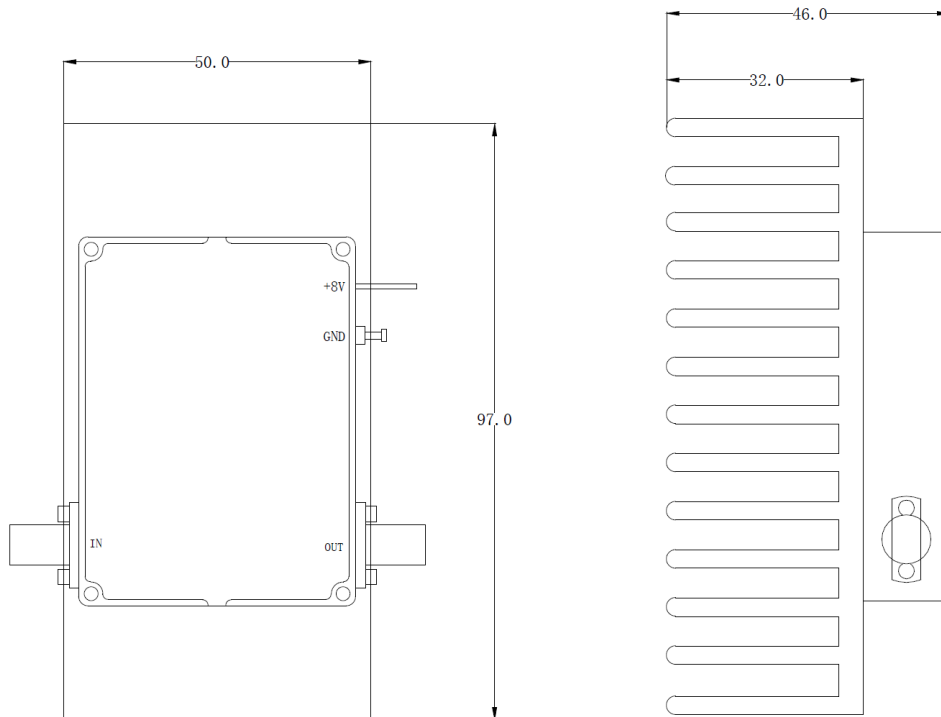


Dimension: (unit in mm)



	<26.5GHz	<40GHz	<50GHz	<67GHz
Connector	SMA	2.92mm	2.4mm	1.85mm
Lenth of a	9.4mm	9.5mm	10.8mm	11.3mm

Note: Female Default. Contact with us for other types.



Including a small heatsink without Fan if output Power higher than +20dBm.

Customers can removed it or use their own heatsink according to actual situation.

Heat Sink Required During Operation if case Temp higher than 50C



-LCBT Option Dimension (unit mm)

Low Cost, Compact Bench-Top with 220V AC/DC Adapter

