

## 15-26.5GHz Super-Low NF Low Noise Amplifier

### Product Overview



AT-LNA-1526-1502Y is super low NF, broadband low noise amplifier from 15GHz to 26.5GHz. The NF is 2dB for the full-band. The DC power requirement is +5V/70mA. It also works with power supply from +5V to +12V. The module is with 2.92mm Female.

AT Microwave can provide all kinds of coaxial low noise amplifiers, with frequency from 0.01-67GHz, gain from 20 to 60dB, Pout from +5 to +27dBm, and connectors from SMA to 1.85mm.

More information, please visit [www.atmicrowave.com](http://www.atmicrowave.com)

### Advantages

- ✓ Frequency: 15-26.5GHz
- ✓ Small signal gain: 15dB
- ✓ Noise Figure: 2 dB
- ✓ Single Power Supply

### Application

- ✓ Broadband Communication
- ✓ Test Equipment
- ✓ ROF (RF Over Fiber)
- ✓ Radar System

### Key Features

| Parameter          | Min  | Typical    | Max   |
|--------------------|------|------------|-------|
| Frequency          |      | 15-26.5GHz |       |
| Gain               | 14dB | 15dB       |       |
| Gain Flatness      |      | +/-1dB     |       |
| NF                 |      | 2dB        | 2.5dB |
| P1dB               |      | +8dBm      |       |
| Psat               |      | +10dBm     |       |
| Drain Supply       |      | +5V        | +8V   |
| Current            |      | 70 mA      |       |
| Input Return Loss  | -8   | -10 dB     |       |
| Output Return Loss | -8   | -12 dB     |       |
| Spec Temp          |      | 25C        |       |





# AT-LNA-1526-1502Y

15-26.5GHz Low Noise Amplifier

## Mechanical Information

| Item                      | Description  |
|---------------------------|--------------|
| Input Port                | SMA Female   |
| Output Port               | SMA Female   |
| Case Material             | Copper       |
| Package Sealing           | Epoxy Sealed |
| Finish                    | Gold Plated  |
| Weight (Without Heatsink) | 50g          |
| Size:                     | 30x30x14 mm  |

## Absolute Maximum Ratings Table

| Parameter             | Value        |
|-----------------------|--------------|
| Drain Supply          | +13V         |
| RF Input Power        | +10dBm       |
| Operating Temperature | -40 to +85C  |
| Storage Temperature   | -55 to +125C |

## Notes:

1. Datasheet may be changed according to update of MMIC, Raw materials , process, and so on.
2. This data is only for reference, not for guaranteed specifications.
3. Please contact AT Microwave team to make sure you have the most current data.

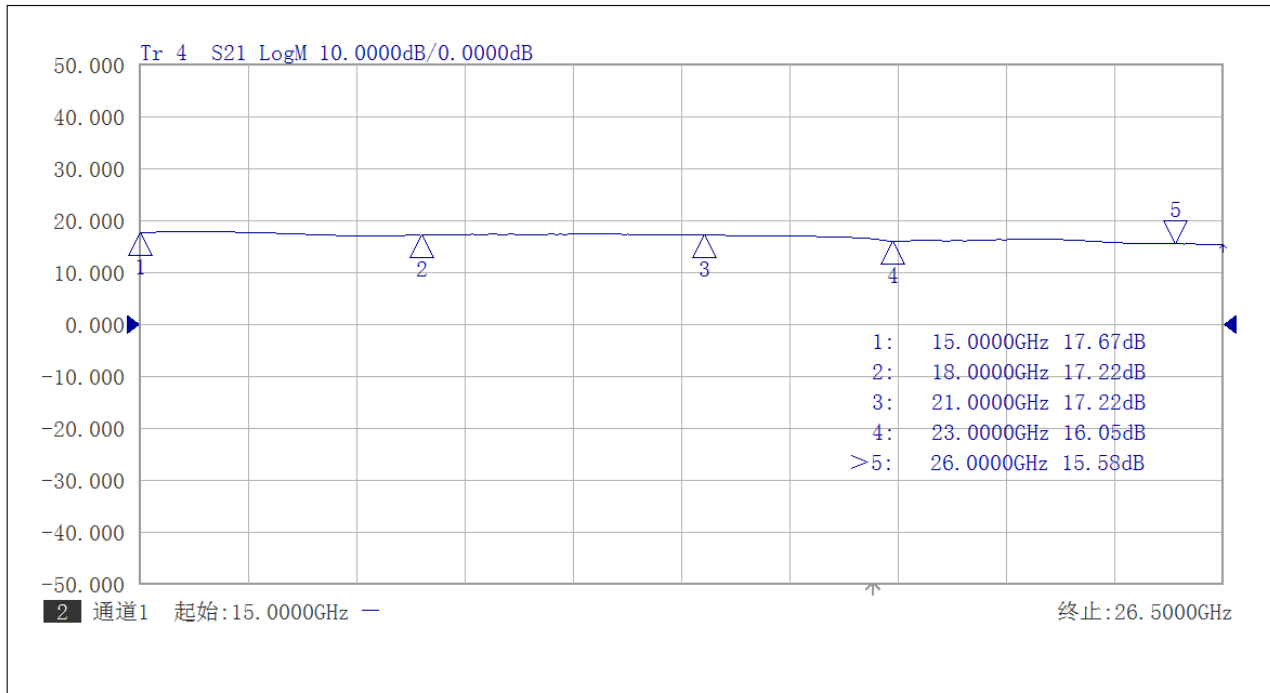
## Part Number Selection Guide

| Item                           | Description   |
|--------------------------------|---|
| AT-LNA-1526-1502Y              | Stand Module with DC Power Supply   |
| AT-LNA-1526-1502Y- <b>LCBT</b> | <b>L</b> ow Cost, <b>C</b> ompact <b>B</b> ench- <b>T</b> op, +220V Supply with AC/DC Adapter |

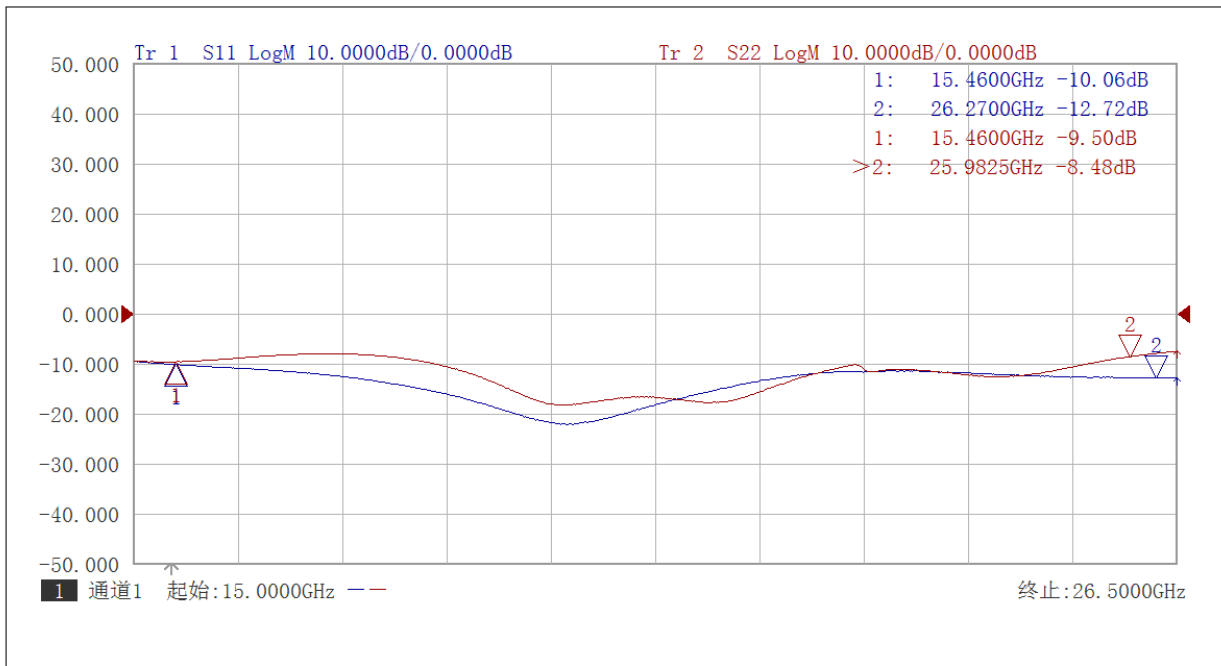


## Test Data (25C)

Please note that test curves will vary slightly from unit to unit.

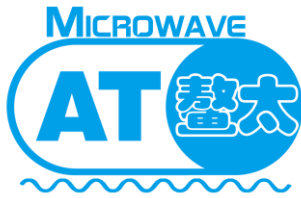


Gain vs Frequency



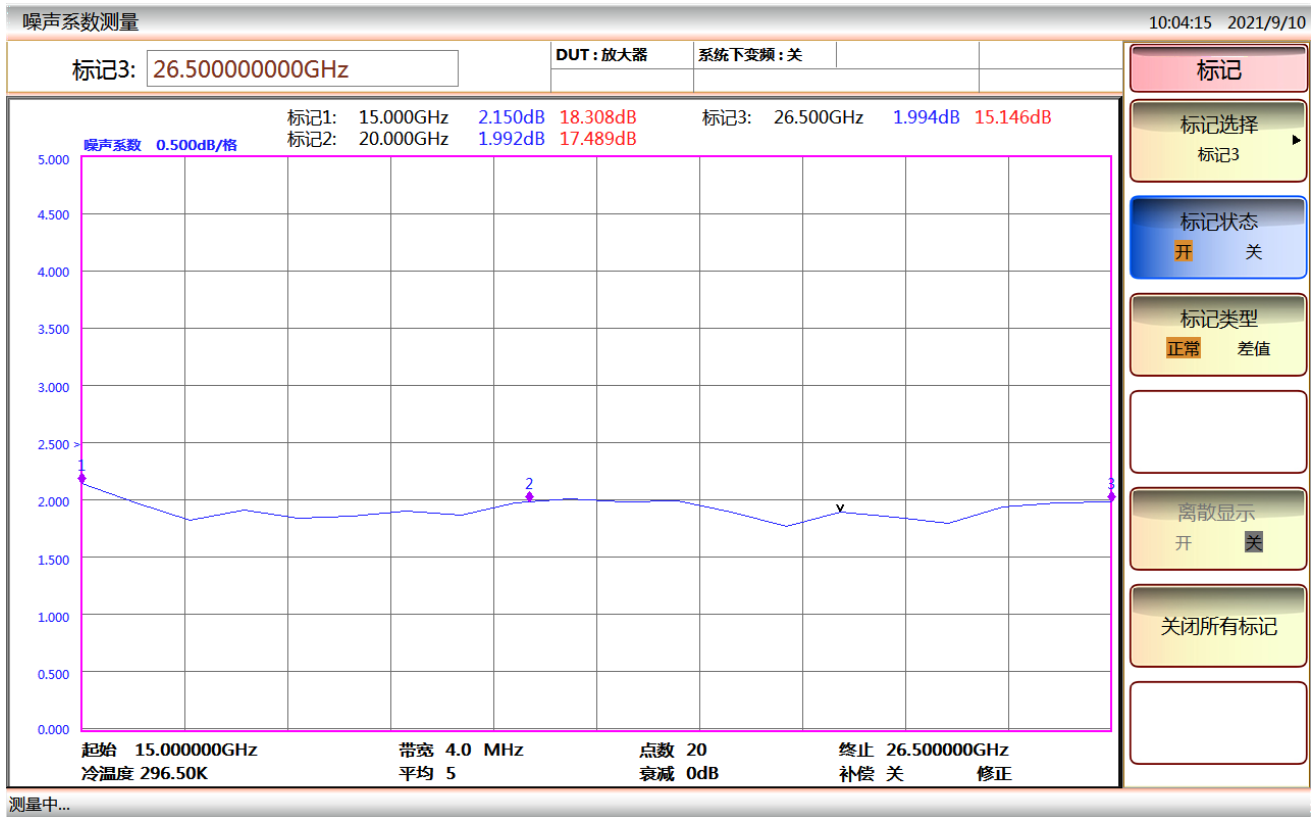
Return Loss vs Frequency





# AT-LNA-1526-1502Y

## 15-26.5GHz Low Noise Amplifier



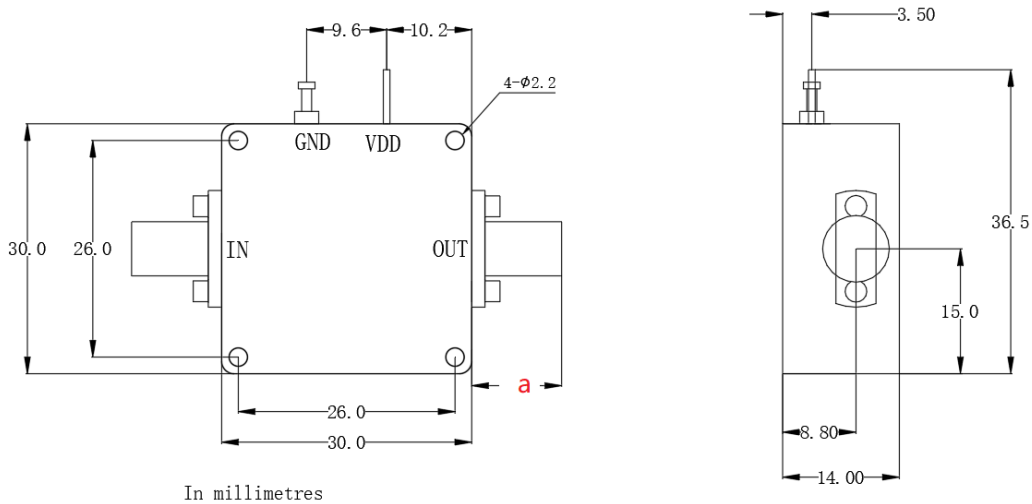
NF vs Frequency



Psat vs Frequency



**Dimension:** (unit in mm)



|             | <26.5GHz | <40GHz | <50GHz | <67GHz |
|-------------|----------|--------|--------|--------|
| Connector   | SMA      | 2.92mm | 2.4mm  | 1.85mm |
| Length of a | 9.4mm    | 9.5mm  | 10.8mm | 11.3mm |

Note: Female Default. Contact with us for other types.

**-LCBT Option Dimension:** (unit in mm)

