

10MHz-43GHz Broadband Low Noise Amplifier



Product Overview

AT-LNA-0043-2504HP broadband low noise amplifier from 10MHz to 43GHz. The NF is 4dB from 100MHz-43GHz. The DC power requirement is +8V/350mA. The module is with 2.92mm Female. 2.4mm connector is available according to request.

AT Microwave can provide all kinds of coaxial low noise amplifiers, with frequency from 0.01-67GHz, gain from 20 to 60dB, Pout from +5 to +27dBm, and connectors from SMA to 1.85mm.

More information, please visit www.atmicrowave.com

Advantages

- ✓ Frequency: 10MHz-43GHz
- ✓ Small signal gain: 25dB
- ✓ Noise Figure 4dB
- ✓ Pout=+22dBm

Application

- ✓ Broadband Communication
- ✓ Test Equipment
- ✓ ROF (RF Over Fiber)
- ✓ Radar System

Key Features

Parameter	Min	Typical	Max
Frequency		10MHz-43GHz	
Gain	23dB	25dB	
Gain Flatness		+/-1.5dB	+/-3dB
NF(0.1-40GHz)		4dB	6
P1dB		+20dBm	
Psat		+22dBm	
Drain Supply	+7.5V	+8V	+12V
Current		350 mA	
Input Return Loss		-10 dB	
Output Return Loss		-10 dB	
Spec Temp		25C	





AT-LNA-0043-2504HP

10MHz-43GHz Low Noise Amplifier

Mechanical Information

Item	Description
Input Port	2.92mm Female
Output Port	2.92mm Female
Case Material	Copper
Package Sealing	Epoxy Sealed
Finish	Gold Plated
Weight (Without Heatsink)	50g
Size:	30x30x14 mm

Absolute Maximum Ratings Table

Parameter	Value
Drain Supply	+13V
RF Input Power	+15dBm
Operating Temperature(note)	-20 to +70C
Storage Temperature	-65 to +150C

Note: -43 to +85C is available according to request.

Caution:

Please pay attention to the case temperature. If case temperature exceed higher than +50C, heat sink and fan are required, or the amplifier may be damaged.

Notes:

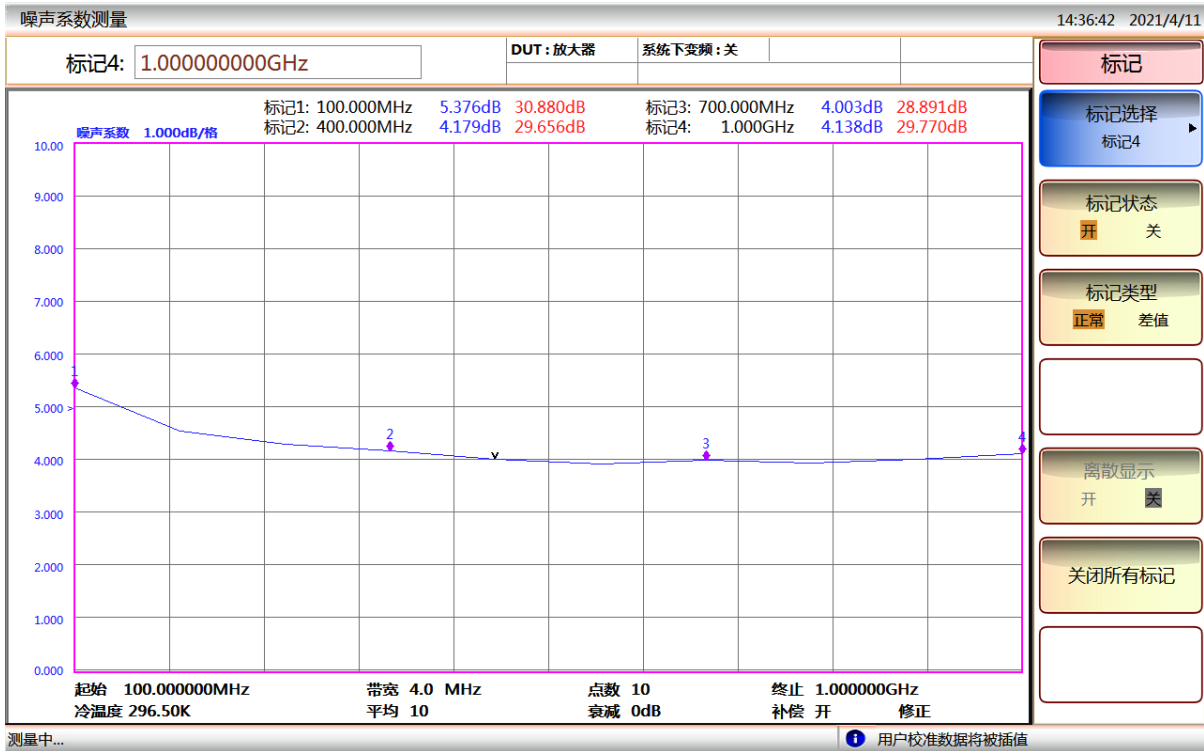
1. Datasheet may be changed according to update of MMIC, Raw materials , process, and so on.
2. This data is only for reference, not for guaranteed specifications.
3. Please contact AT Microwave team to make sure you have the most current data.



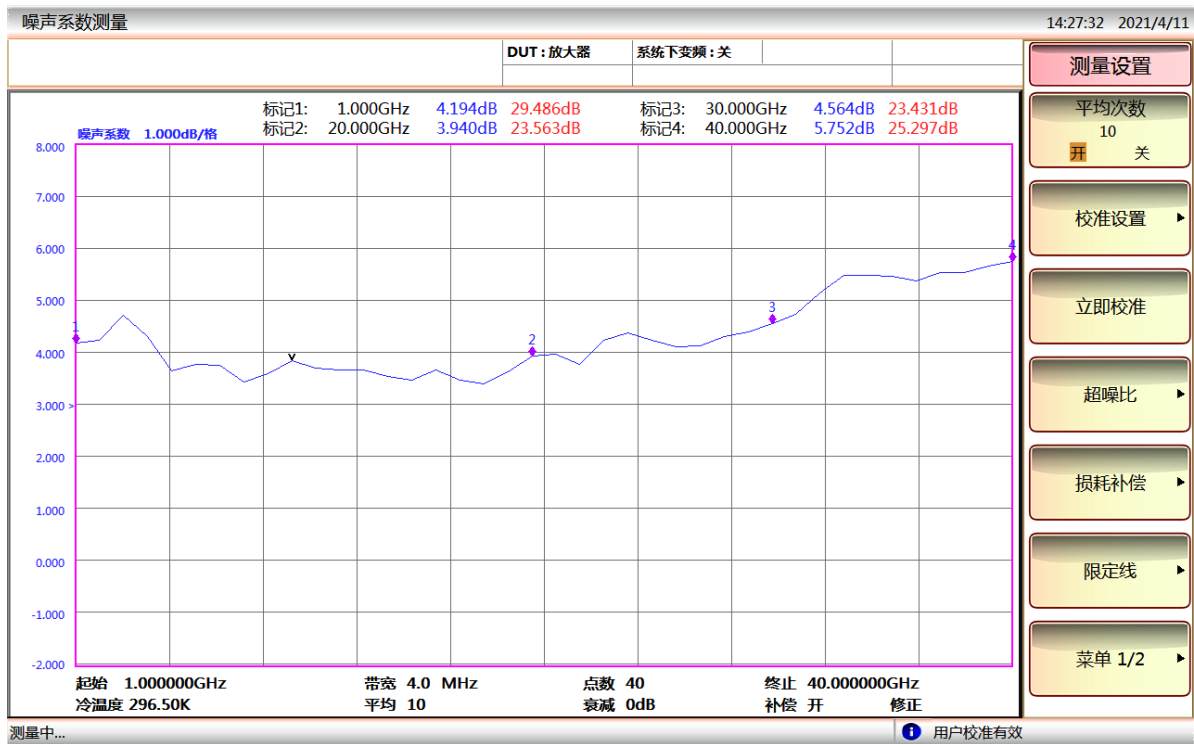


AT-LNA-0043-2504HP

10MHz-43GHz Low Noise Amplifier

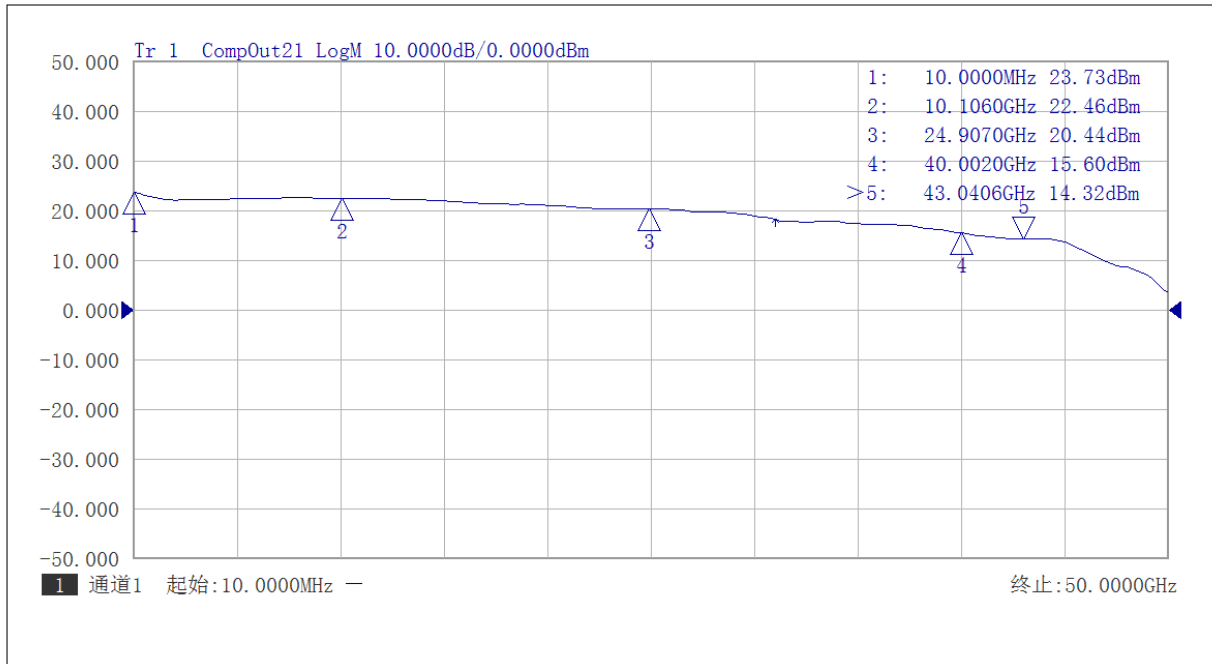


NF test 100MHz to 1GHz

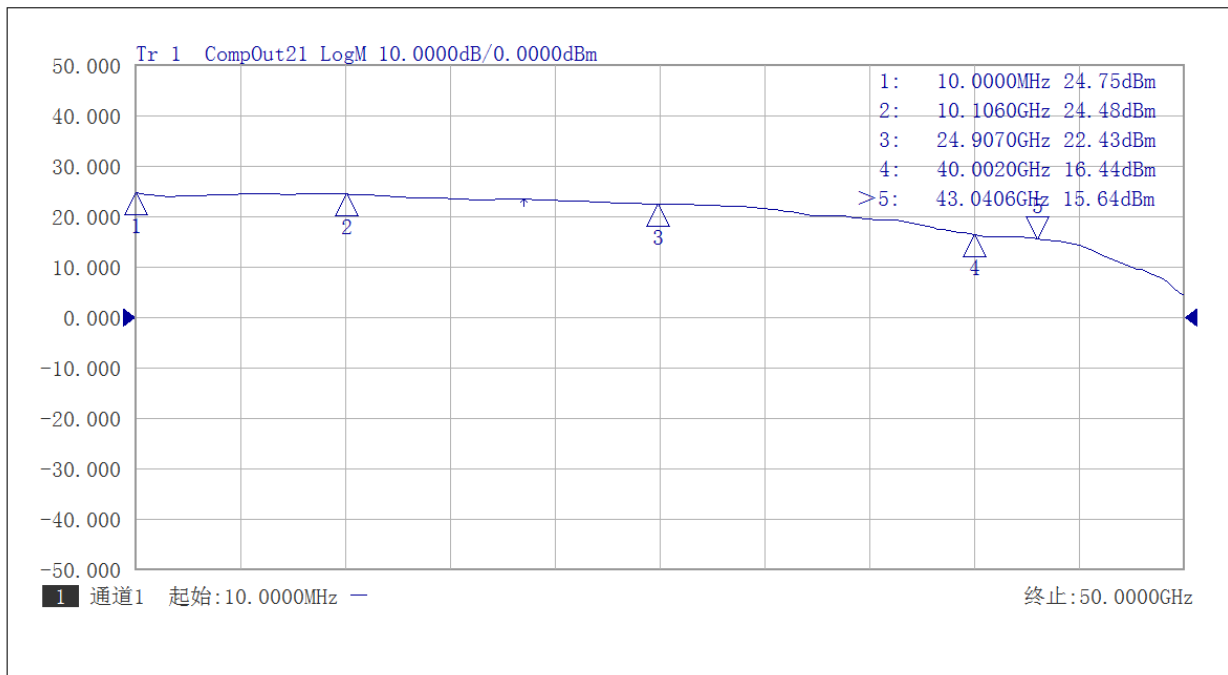


NF Test from 1GHz to 43GHz





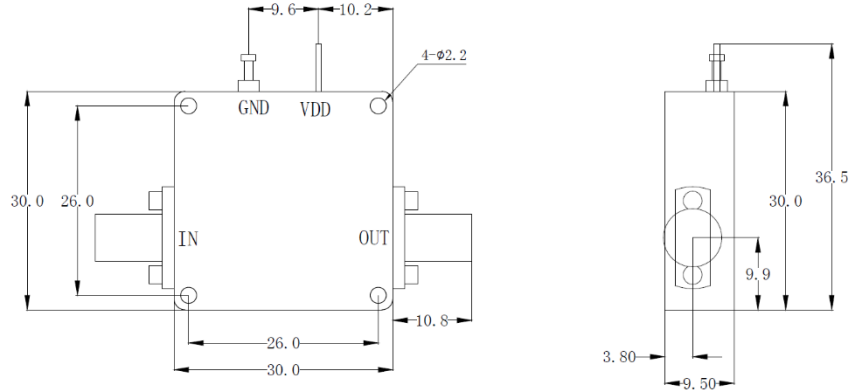
P1dB vs Frequency



P3dB vs Frequency

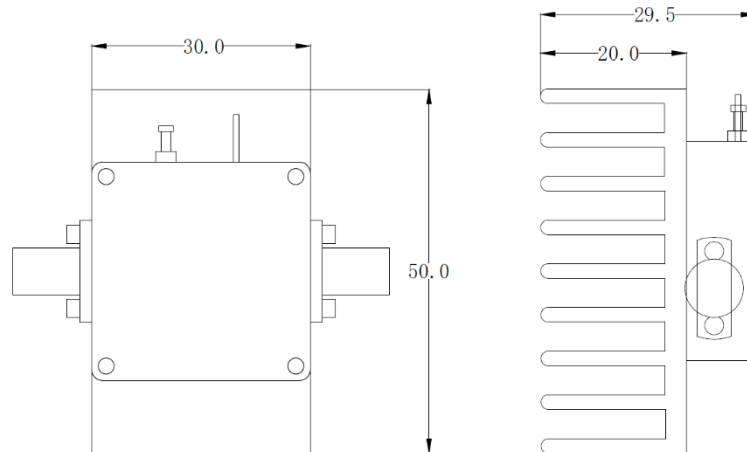


Dimension: (unit in mm)



	<26.5GHz	<40GHz	<50GHz	<67GHz
Connector	SMA	2.92mm	2.4mm	1.85mm
Length of a	9.4mm	9.5mm	10.8mm	11.3mm

Note: Female Default. Contact with us for other types.



Including a small heatsink without Fan if output Power higher than +20dBm.
Customers can removed it or use their own heatsink according to actual situation.

Heat Sink Required During Operation

