

## 10MHz-40GHz Broadband LNA

### Product Overview



AT-LNA-0040-3504C is broadband LNA from 10MHz-40GHz, with  $P_{out}=+13dBm$ ,  $NF=4dB$ . The DC power requirement is  $+5V/360mA$ . The module is with 2.92mm Female

AT Microwave can provide all kinds of coaxial low noise amplifiers, with frequency from 0.01-67GHz, gain from 20 to 60dB,  $P_{out}$  from +5 to +27dBm, and connectors from SMA to 1.85mm.

More information, please visit [www.atmicrowave.com](http://www.atmicrowave.com)

### Advantages

- ✓ Frequency: 10MHz-40GHz
- ✓  $NF=4dB$
- ✓ High gain: 35dB
- ✓ Single Power Supply

### Application

- ✓ 5G Communication
- ✓ Test Equipment
- ✓ ROF (RF Over Fiber)
- ✓ Radar System

### Key Features

Parameter	Min	Typical	Max
Frequency		10MHz-40GHz	
Gain	32dB	35dB	
Gain Flatness		+/-3dB	
$NF(100MHz-40GHz)$		4dB	6dB
$P_{1dB}$		+10dBm	
$P_{sat}$		+13dBm	
Drain Supply		+5V	+12V
Current		360 mA	
Input Return Loss	-5	-10dB	
Output Return Loss	-5	-10dB	
Spec Temp		25C	





# AT-LNA-0040-3504C

10MHz-40GHz Low Noise Amplifier

## Mechanical Information

Item	Description
Input Port	2.92mm Female
Output Port	2.92mm Female
Case Material	Copper
Finish	Gold Plated
Package Sealing	Epoxy Sealed
Weight (Without Heatsink)	80g
Size:	45x25x14 mm

## Absolute Maximum Ratings Table

Parameter	Value
Drain Supply	+15V
RF Input Power	+15 dBm
Operating Temperature(note)	-20 to +70C
Storage Temperature	-65 to +150C

Note: -40 to +85C is available according to request.

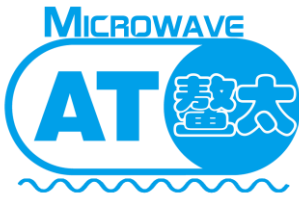
### Caution:

Please pay attention to the case temperature. If case temperature exceed higher than +50C, heat sink and fan are required, or the amplifier may be damaged.

## Notes:

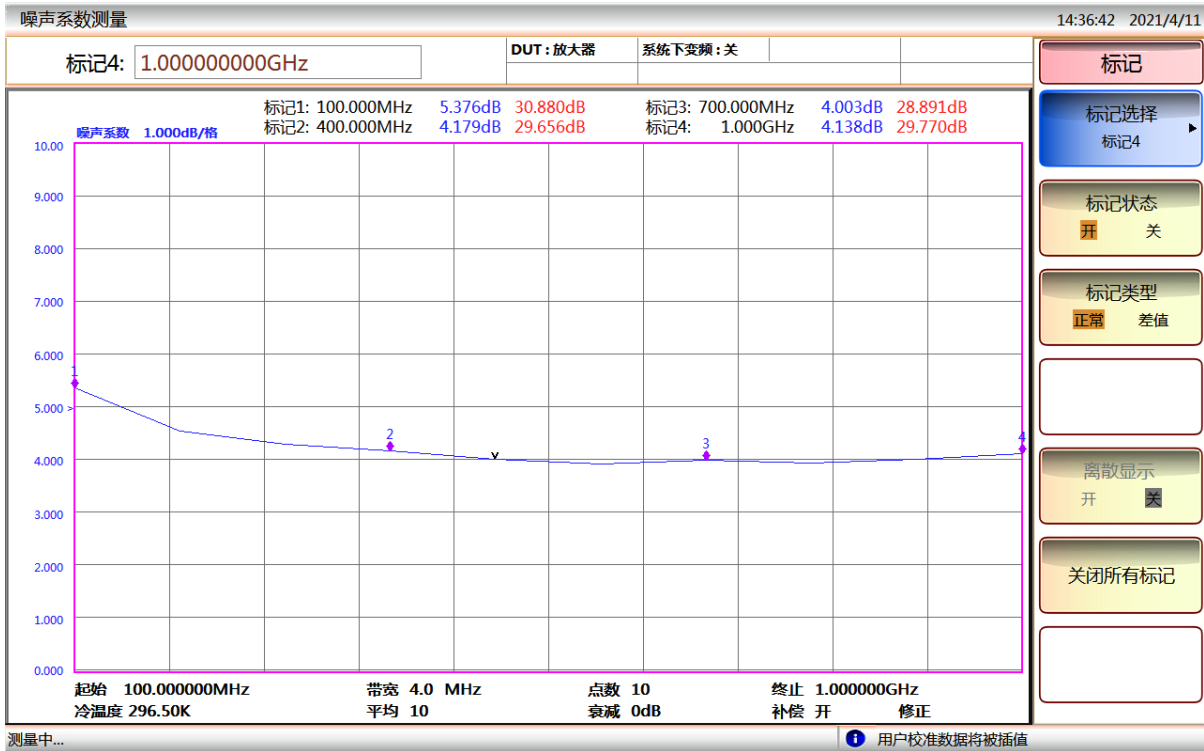
1. Datasheet may be changed according to update of MMIC, Raw materials , process, and so on.
2. This data is only for reference, not for guaranteed specifications.
3. Please contact AT Microwave team to make sure you have the most current data.



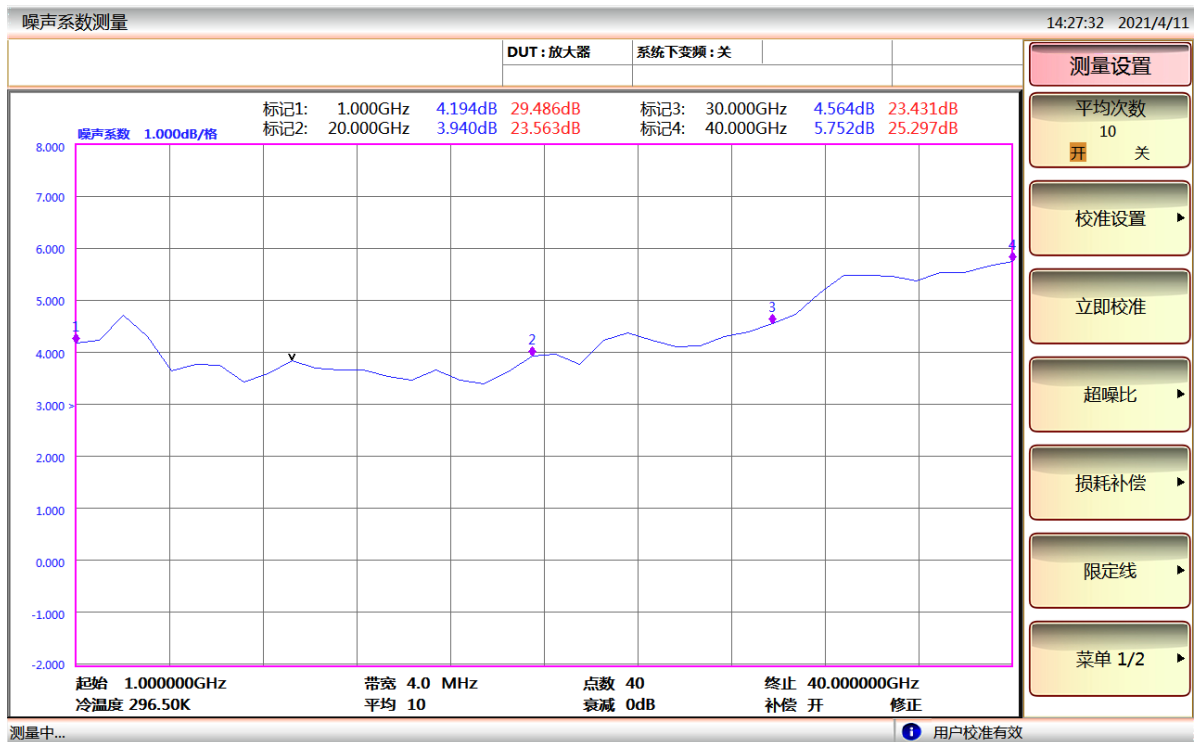


# AT-LNA-0040-3504C

## 10MHz-40GHz Low Noise Amplifier

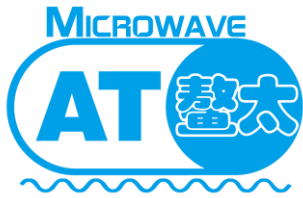


NF test 100MHz to 1GHz



NF Test from 1GHz to 40GHz

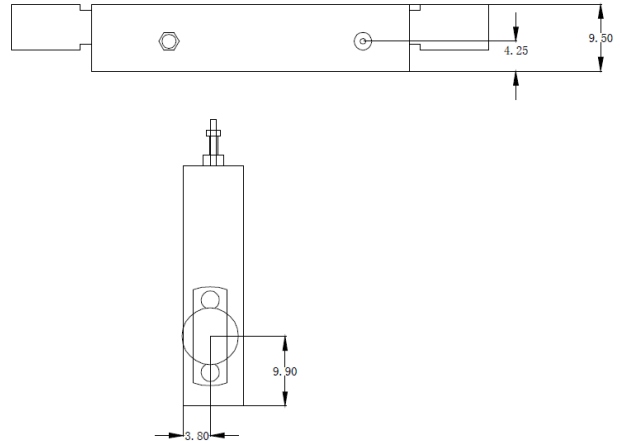
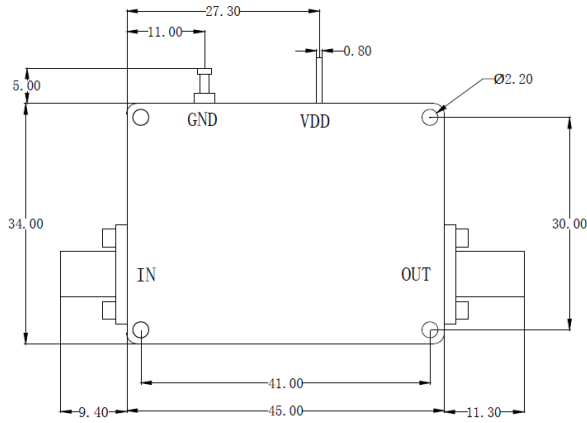




# AT-LNA-0040-3504C

10MHz-40GHz Low Noise Amplifier

**Dimension:** (unit in mm)



	<26.5GHz	<40GHz	<50GHz	<67GHz
Connector	SMA	2.92mm	2.4mm	1.85mm
Length of a	9.4mm	9.5mm	10.8mm	11.3mm

Note: Female Default. Contact with us for other types.

