



AT-LNA-0040-2304C

10MHz-40GHz Low Noise Amplifier

10MHz-40GHz Broadband Low Noise Amplifier



Product Overview

AT-LNA-0040-2304C broadband low noise amplifier from 10MHz to 40GHz. The NF is 4dB from 100MHz-40GHz. The DC power requirement is +5V/170mA. The module is with 2.92mm Female. 2.4mm connector is available according to request.

The LNA can also work from 50kHz to 100MHz but no guarantee for NF. AT Microwave can provide all kinds of coaxial low noise amplifiers, with frequency from 0.01-67GHz, gain from 20 to 60dB, Pout from +5 to +27dBm, and connectors from SMA to 1.85mm.

More information, please visit www.atmicrowave.com

Advantages

- ✓ Frequency: 10MHz-40GHz
- ✓ Small signal gain: 23dB
- ✓ Noise Figure 4dB
- ✓ Single Power Supply

Application

- ✓ Broadband Communication
- ✓ Test Equipment
- ✓ ROF (RF Over Fiber)
- ✓ Radar System

Key Features

Parameter	Min	Typical	Max
Frequency		10MHz-40GHz	
Gain	20dB	23dB	
Gain Flatness		+/-3dB	
NF(0.1-40GHz)		4dB	6
P1dB		+10dBm	
Psat		+13dBm	
Drain Supply		+5V	+12V
Current		170 mA	200mA
Input Return Loss	-5	-10 dB	
Output Return Loss	-5	-10 dB	
Spec Temp		25C	





AT-LNA-0040-2304C

10MHz-40GHz Low Noise Amplifier

Mechanical Information

Item	Description
Input Port	2.92mm Female
Output Port	2.92mm Female
Case Material	Copper
Package Sealing	Epoxy Sealed
Finish	Gold Plated
Weight (Without Heatsink)	50g
Size:	30x30x14 mm

Absolute Maximum Ratings Table

Parameter	Value
Drain Supply	+13V
RF Input Power	+15dBm
Operating Temperature(note)	-20 to +70C
Storage Temperature	-65 to +150C

Note: -40 to +85C is available according to request.

Caution:

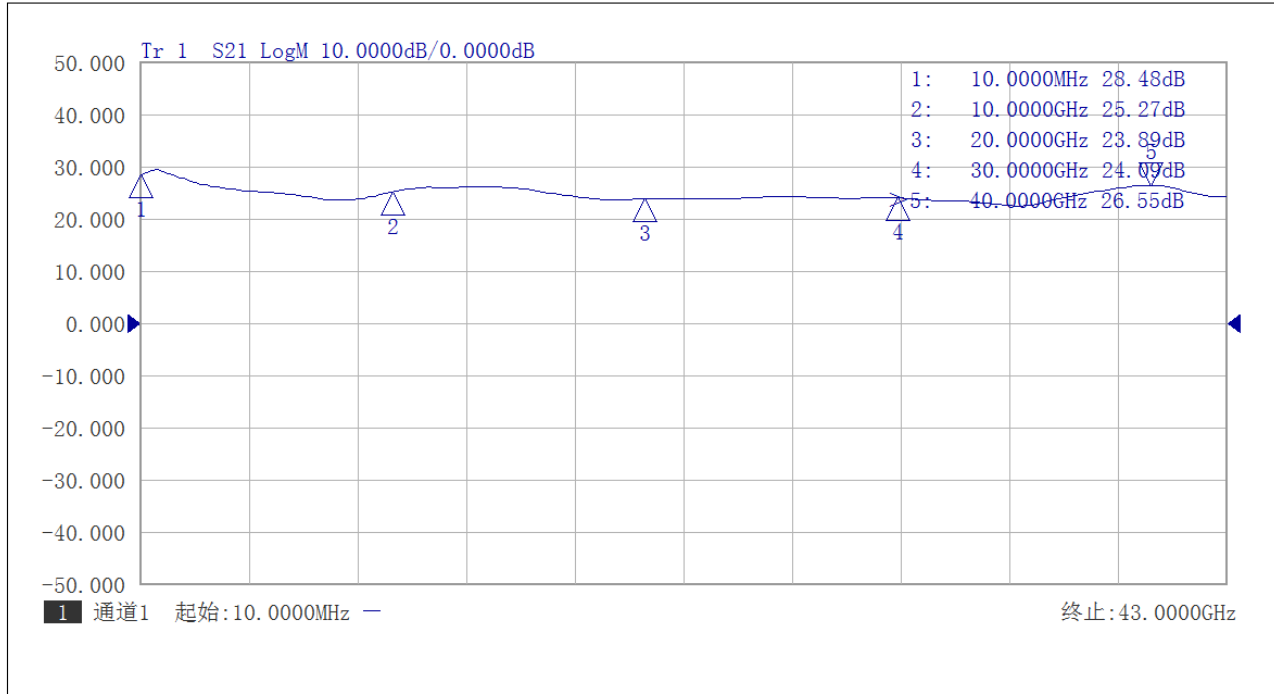
Please pay attention to the case temperature. If case temperature exceed higher than +50C, heat sink and fan are required, or the amplifier may be damaged.

Notes:

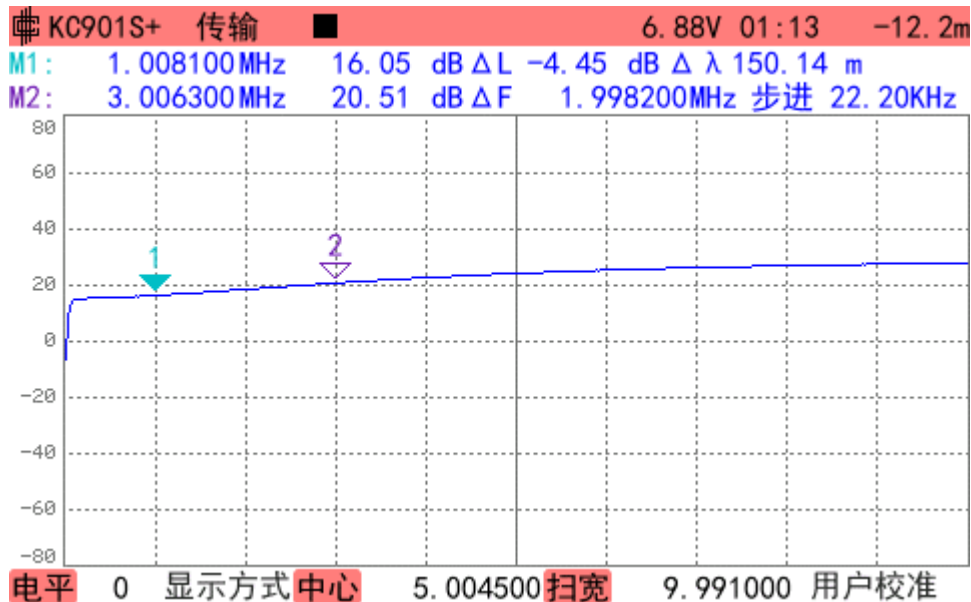
1. Datasheet may be changed according to update of MMIC, Raw materials , process, and so on.
2. This data is only for reference, not for guaranteed specifications.
3. Please contact AT Microwave team to make sure you have the most current data.



Test Data:



Gain vs Frequency from 10MHz-40GHz



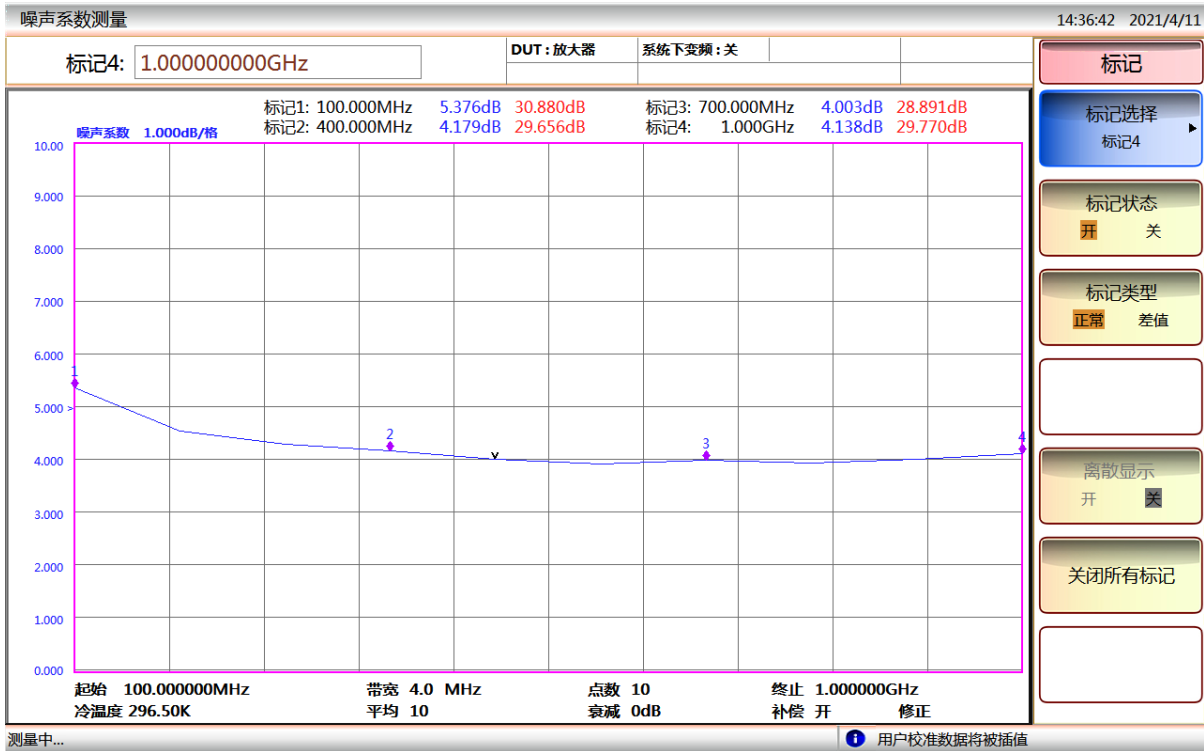
Low Frequency S21



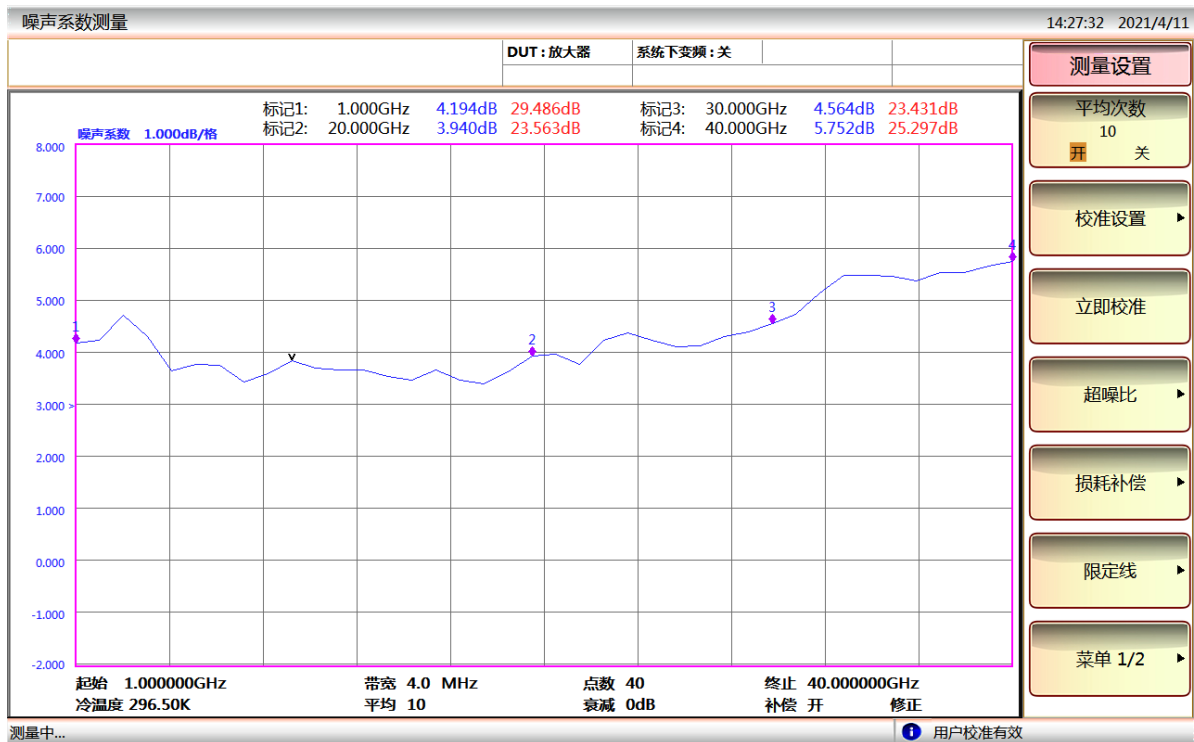


AT-LNA-0040-2304C

10MHz-40GHz Low Noise Amplifier



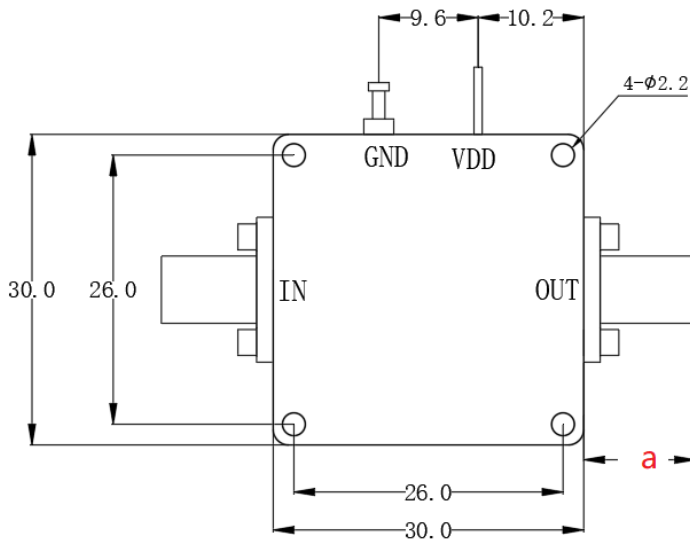
NF test 100MHz to 1GHz



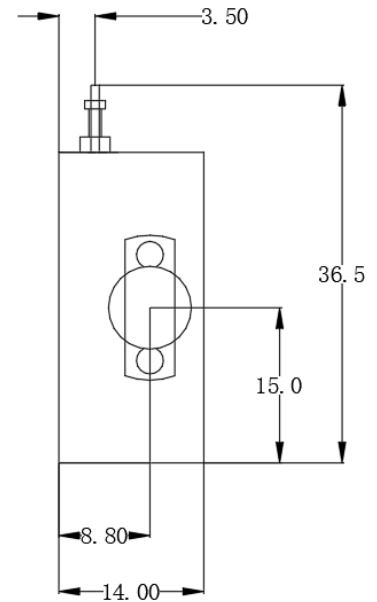
NF Test from 1GHz to 40GHz



Dimension: (unit in mm)



In millimetres



	<26.5GHz	<40GHz	<50GHz	<67GHz
Connector	SMA	2.92mm	2.4mm	1.85mm
Length of a	9.4mm	9.5mm	10.8mm	11.3mm

Note: Female Default. Contact with us for other types.

