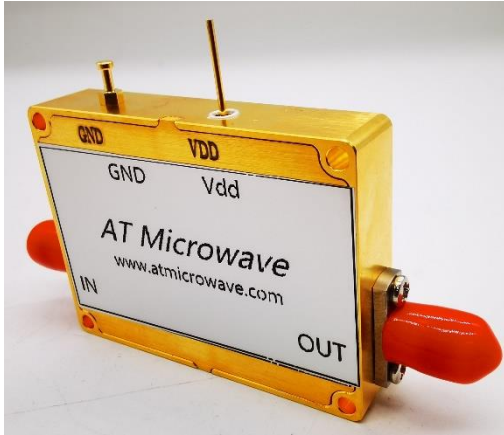


100MHz-18GHz LNA, High Power



Product Overview

AT-LNA-0018-4002P25 is high gain low noise amplifier with 40dB gain in the frequency of 100MHz-18GHz. The DC power requirement is +12V/450mA. The module is with SMA connector.

AT Microwave can provide all kinds of coaxial low noise amplifiers, with frequency from 0.01-67GHz, gain from 20 to 60dB, Pout from +5 to +27dBm, and connectors from SMA to 1.85mm. If you don't find what you need, just send us email sales@atmicrowave.com

Advantages

- ✓ Frequency: 100MHz-18GHz
- ✓ Small signal gain: 40dB
- ✓ NF=2dB
- ✓ Single Power Supply

Application

- ✓ 5G Communication
- ✓ Test Equipment
- ✓ ROF (RF Over Fiber)
- ✓ Radar System

Key Features

Parameter	Min	Typical	Max
Frequency	100MHz		18GHz
Gain		40 dB	
NF		2dB	
Input Power		-30dBm	-20dBm
P1dB		+24dBm	
Psat		+25dBm	
Drain Supply(see table1)	+9V	+12V	+13V
Current		450 mA	
Input VSWR		1.5	2.5
Output VSWR		1.5	2.5
Spec Temp		25C	





AT-LNA-0018-4002P25

100MHz-18GHz High Gain Low Noise Amplifier

Mechanical Information

Item	Description
Input Port	SMA Female
Output Port	SMA Female
Case Material	Copper
Finish	Nickel Plated
Weight (Without Heatsink)	80g
Size:	45x34x8.5 mm

Absolute Maximum Ratings Table

Parameter	Value
Drain Supply	+13V
RF Input Power	+20 dBm
Operating Temperature (note)	-20 to + 70C
Storage Temperature	-65 to +150C

Note: -40 to +85C is available according to request.

Caution:

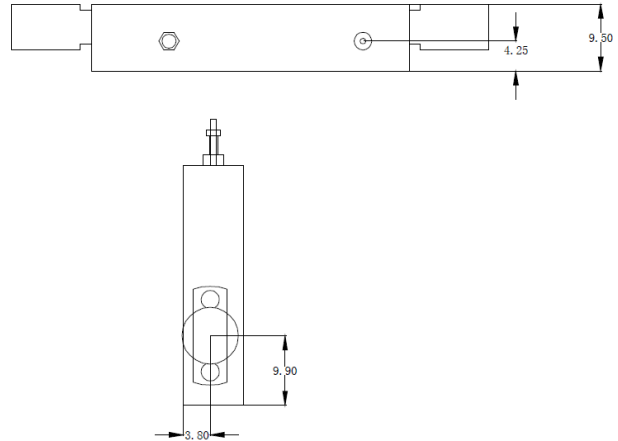
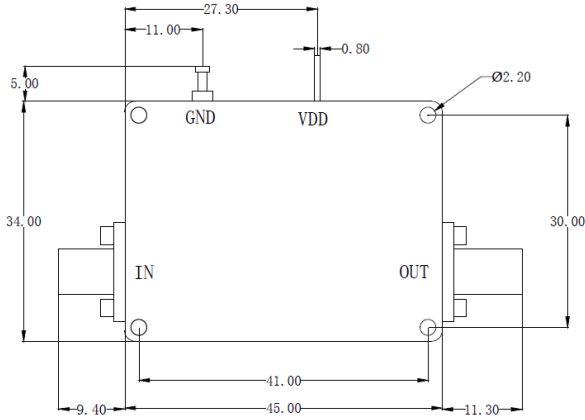
Please pay attention to the case temperature. If case temperature exceed higher than +50C, heat sink and fan are required, or the amplifier may be damaged.

Notes:

1. Datasheet may be changed according to update of MMIC, Raw materials , process, and so on.
2. This data is only for reference, not for guaranteed specifications.
3. Please contact AT Microwave team to make sure you have the most current data.

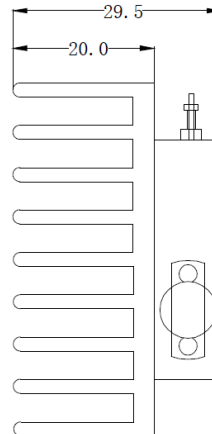
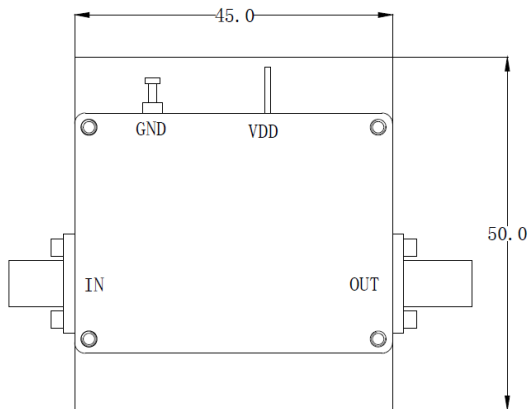


Dimension: (unit in mm)



	<26.5GHz	<40GHz	<50GHz	<67GHz
Connector	SMA	2.92mm	2.4mm	1.85mm
Lenth of a	9.4mm	9.5mm	10.8mm	11.3mm

Note: Female Default. Contact with us for other types.



Including a small heatsink without Fan if output Power higher than +20dBm.
Customers can removed it or use their own heatsink according to actual situation.

Heat Sink Required If Case Temp Higher Than 50C

