

AT-HPF-64-12:

2022-4-22

64GHz High-Pass Filter, WR-12



Product Overview

AT Microwave offers high performance band waveguide band-pass filter from 26.5-170GHz. Other frequency bands and rejection requirement can provide according to request.

Based on our excellent design work, precise machine tolerance and outstanding quality plating, we can provide band pass filter with low insertion loss, good return loss and high rejection at the same time.

More information, please visit www.atmicrowave.com

Advantages

- ✓ Low Insertion Loss
- ✓ Good Return Loss
- ✓ High Stop Band Suppression
- ✓ Sharp Roll-Off

Application

- ✓ Automotive Radar Test
- ✓ FOD (Foreigner Objects Debris)
- ✓ Test Equipment
- ✓ ROF (RF Over Fiber)
- ✓ Radar System

Key Features

| Parameter | Min | Typical | Max |
|----------------------|-------|----------|------|
| Passband Frequency | | 64-90GHz | |
| Insertion Loss | | -1.0 dB | -2.5 |
| Passband Return Loss | -10 | -15 dB | |
| Rejection Frequency | | DC-61GHz | |
| Rejection | -30dB | -40dB | |
| Waveguide Length | | 1.25inch | |
| Spec Temp | | 25C | |



Mechanical Information

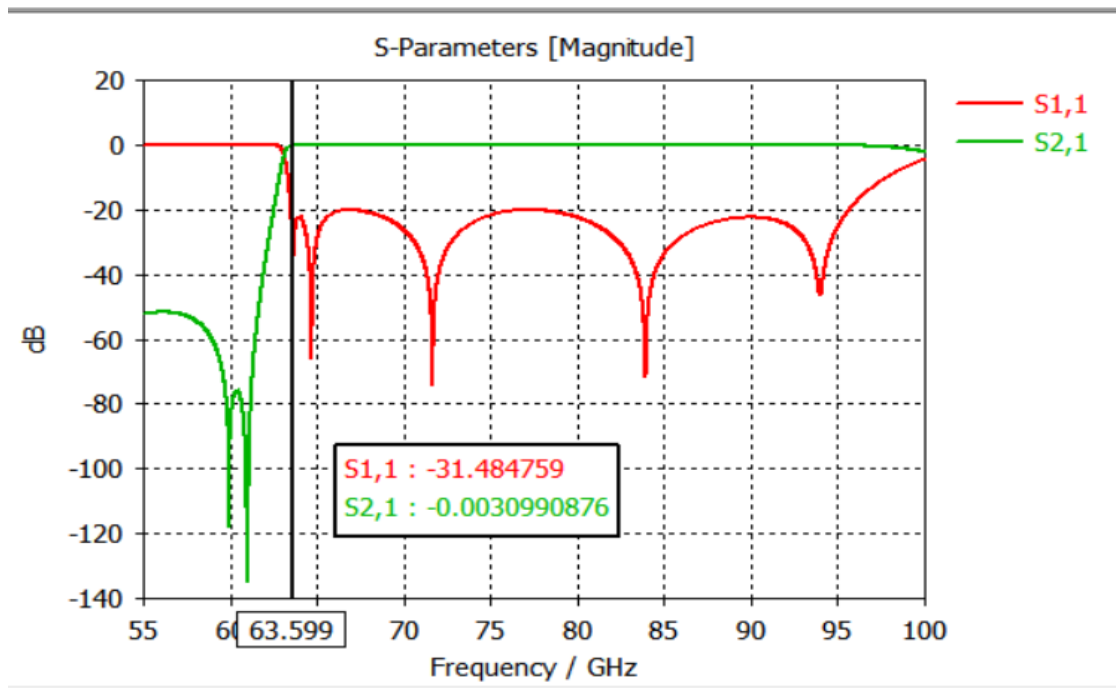
| Item | Description |
|---------------|---|
| Input Port | WR-12, UG-387/U Flange with anti-cocking Flange |
| Output Port | WR-12, UG-387/U Flange with anti-cocking Flange |
| Case Material | Brass |
| Finish | Gold Plated |
| Weight | 35g |
| Size: | See Dimension |

Absolute Maximum Ratings Table

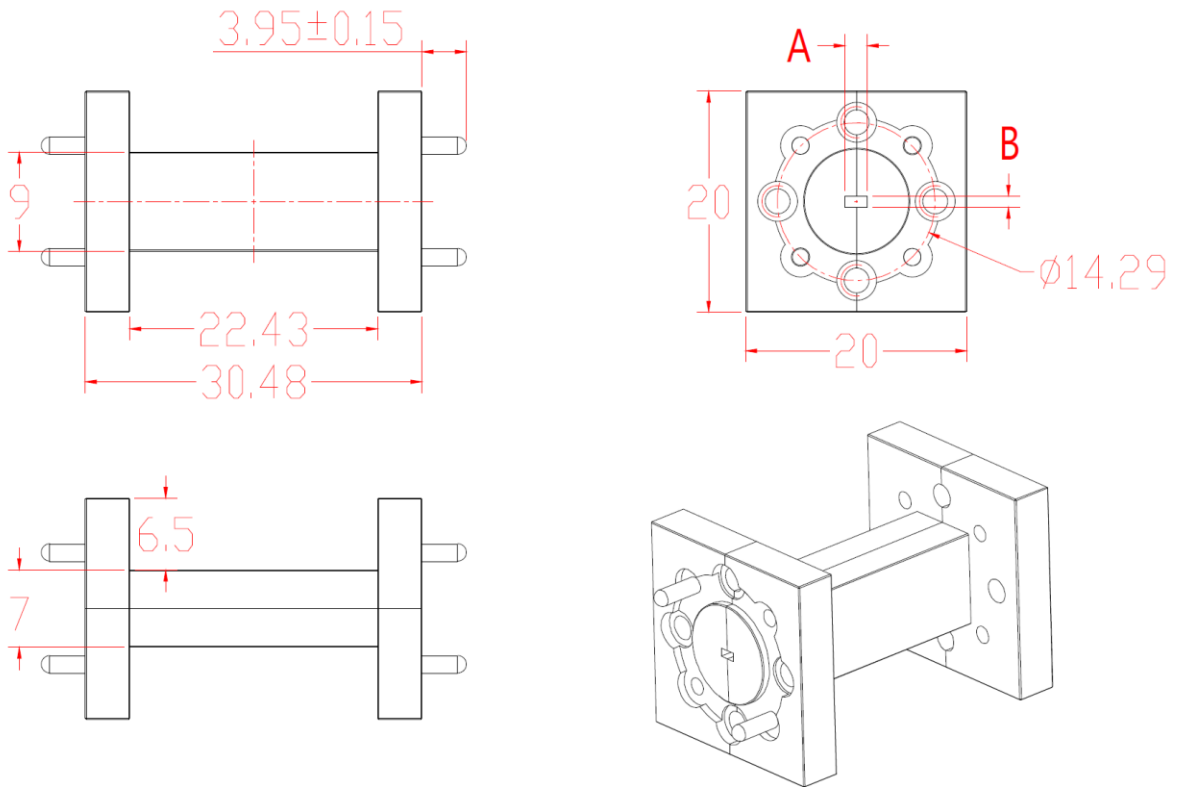
| Parameter | Value |
|-----------------------|--------------|
| Operating Temperature | -40 to +85C |
| Storage Temperature | -65 to +150C |

Simulation Result

Performance may vary slight from test and simulation



Dimension(mm)



| Waveguide | A x B (inch) | A x B (mm) |
|-----------|--------------|-------------|
| WR-15 | 0.148x0.074 | 37.59x18.80 |
| WR-12 | 0.122x0.061 | 30.99x15.49 |
| WR-10 | 0.100x0.050 | 25.40x12.70 |
| WR-08 | 0.080x0.040 | 20.32x10.16 |
| WR-06 | 0.065x0.032 | 16.51x8.25 |

