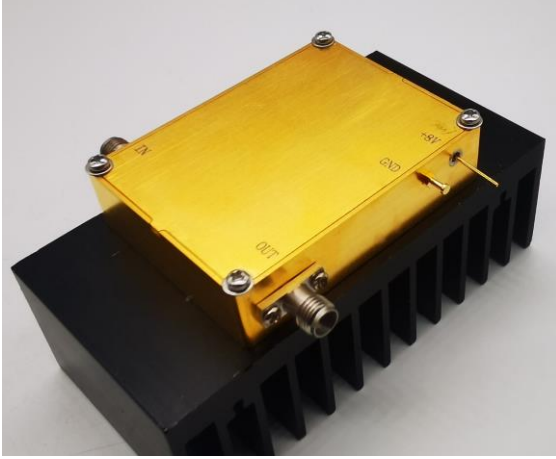


2-18GHz Broadband Amplifier, +30dBm

2021-8-1



Product Overview

AT-HPA-0218-3034GN is high gain power amplifier with +34dBm output power in the frequency of 2-18GHz. The DC power requirement is +30V/1.25A. Supply voltage can be from +29 to 32V. The module is with SMA connector.

The power amplifier has high gain, high linearity, low input/output return loss and flat gain response.

More information, please visit www.atmicrowave.com

Advantages

- ✓ Frequency: 2-18GHz
- ✓ Pout:+34dBm
- ✓ Small signal gain: 30dB
- ✓ Single Power Supply

Application

- ✓ 5G Communication
- ✓ Test Equipment
- ✓ ROF (RF Over Fiber)
- ✓ Radar System

Key Features

Parameter	Min	Typical	Max
Frequency		2-18GHz	
Gain	28	30dB	
Gain Flatness		+/-2.5dB	
P1dB		+30dBm	
Psat	+33dBm	+34dBm	
Drain Supply	+29V	+30V	+32V
Current/Quiscent		0.9A	
IDD Psat		1.25A	
Input Return Loss		-10dB	
Output Return Loss		-5dB	
Spec Temp		25C	





AT-HPA-0218-3034GN

2-18GHz Power Amplifier

Mechanical Information

Item	Description
Input Port	SMA Female
Output Port	SMA Female
Case Material	Copper
Finish	Gold Plated
Weight (Without Heatsink)	150g
Size:	60X45X14mm

Absolute Maximum Ratings Table

Parameter	Value
Drain Supply	+35V
RF Input Power	+10 dBm
Operating Temperature	-20 to +70C
Storage Temperature	-65 to +150C

Caution:

Please pay attention to the case temperature. If case temperature exceed higher than +50C, heat sink and fan are required, or the amplifier may be damaged.

Notes:

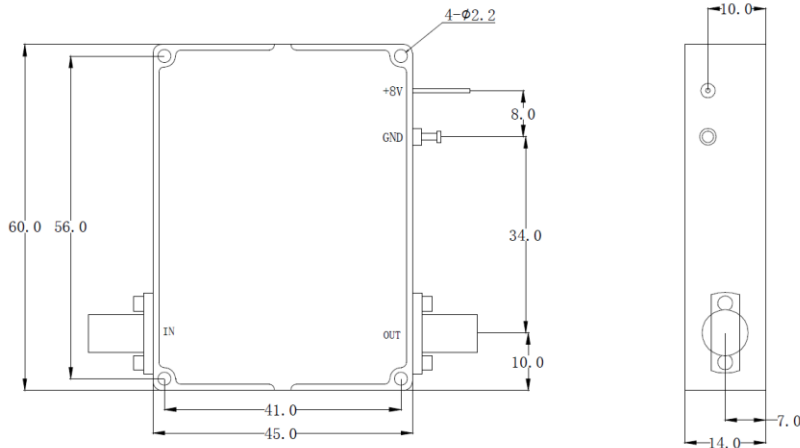
1. Datasheet may be changed according to update of MMIC, Raw materials , process, and so on.
2. This data is only for reference, not for guaranteed specifications.
3. Please contact AT Microwave team to make sure you have the most current data.



Test Data (25C)

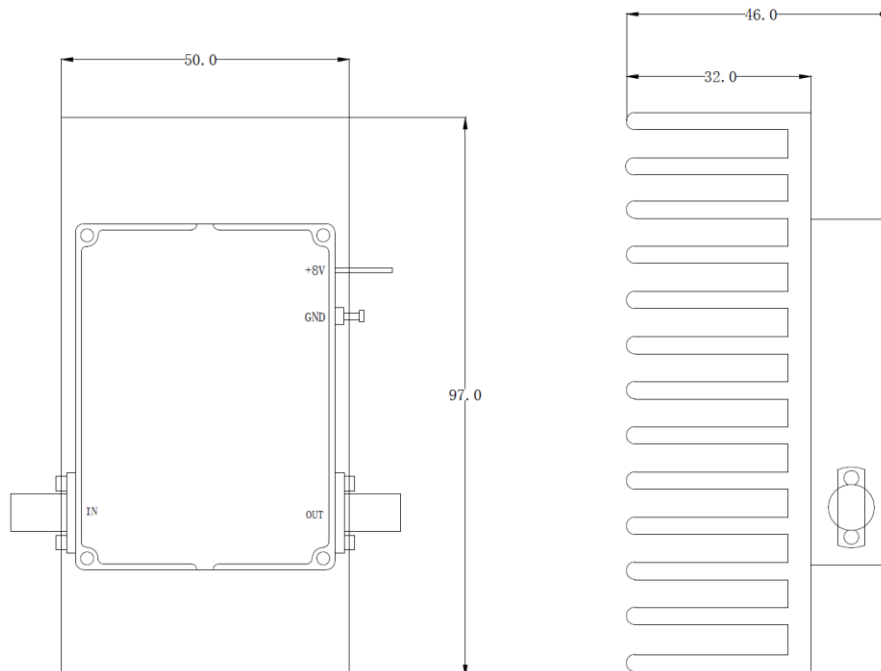
Please note that test curves will vary slightly from unit to unit.

Dimension: (unit mm)



	<26.5GHz	<40GHz	<50GHz	<67GHz
Connector	SMA	2.92mm	2.4mm	1.85mm
Length of a	9.4mm	9.5mm	10.8mm	11.3mm

Note: Female Default. Contact with us for other types.



Including a small heatsink without Fan if output Power higher than +20dBm.
Customers can removed it or use their own heatsink according to actual situation.

Heat Sink Required During Operation if case Temp higher than 50C

