

# 0.5-36GHz Broadband Frequency Divider, /2, 2.92mm

2023-10-5



### Description:

AT-FD2-36H is low noise divide-by-2 frequency divider with 2.92mm Female input connector. This device operates from 500MHz to 36GHz with a single 5V supply

This divider offers SSB phase noise of -152dBc/Hz at 100kHz, which helps the user maintain excellent system noise performance. Differential input and differential output is available according to request.

More information, visit [www.atmicrowave.com](http://www.atmicrowave.com)

### Feature

- ✓ Wideband coverage
- ✓ Low SSB phase noise
- ✓ Low current
- ✓ Small Size

### Application

- ✓ 5G Systems
- ✓ Radar System
- ✓ Test Equipment
- ✓ ROF (RF Over Fiber)
- ✓ Communication System

### Electronical Specifications:

Parameter	Min	Typical	Max
Input Frequency Range		0.5-36GHz	
Minimum Input Frequency (Square wave Input)		0.2GHz	
Input Power	-20dBm -8dBm	2-26GHz: 0dBm 26-36GHz: 0dBm	+7dBm +12dBm
Divider Rate		/2	
Output Frequency		0.25-18GHz	
Output Power	-5dBm	-3dBm	
Vdd		+5V	+8V
Current		60mA	
Spec Temp		25C	





# AT-FD2-36H

0.5-36GHz Frequency Divider by2

## Mechanical Information

Item	Description
Input Port	2.92mm Female
Output Port	SMA Female
Case Material	Copper
Finish	Gold Plated
Weight	50g
Size:	See outline

## Absolute Maximum Ratings Table

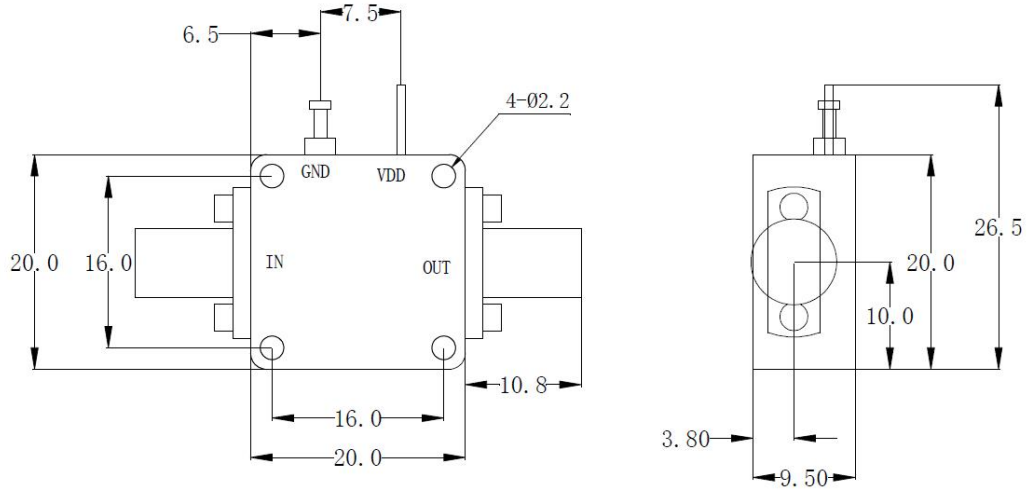
Parameter	Value
Power Supply	+13V
RF Power Handling	+15dBm
Operating Temperature	-40 to 85C
Storage Temperature	-55 to +125C

## Notes:

1. Datasheet may be changed according to update of MMIC, Raw materials , process, and so on.
2. This data is only for reference, not for guaranteed specifications.
3. Please contact AT Microwave team to make sure you have the most current data.



### Dimension: (mm)



	<26.5GHz	<40GHz	<50GHz	<67GHz
Connector	SMA	2.92mm	2.4mm	1.85mm
Lenth of a	9.4mm	9.5mm	10.8mm	11.3mm

Note: Female Default. Contact with us for other types.

