

DC-65GHz High Precision Fixed Attenuator

3, 6, 10, 20, 30dB



Product Overview

AT-FAT-XX-65GHz series high precision attenuators, including 3, 6, 10, 20, 30dB attenuation value. Other attenuation is available according to request.

These attenuators are with high precision and good return loss. The power handling is 1W CW. AT Microwave provides fixed attenuators with SMA, 2.92mm, 2.4mm and 1.85mm connectors.

More information, please visit www.atmicrowave.com

Advantages

- ✓ Frequency: DC-65GHz
- ✓ Attenuation Value: 3/6/10/20/30dB
- ✓ Power Handling: 1W
- ✓ High Precision

Application

- ✓ 5G Communication
- ✓ Test Equipment
- ✓ ROF (RF Over Fiber)
- ✓ Radar System
- ✓ Optical Application

Key Features

| Parameter | Min | Typical | Max |
|-----------------------|-----|----------------|-------|
| Frequency | | DC-65GHz | |
| Attenuation Value | | 3/6/10/20/30dB | |
| Attenuation Precision | | +/-2dB | |
| Return Loss | | -20dB | |
| Power Handling | | | 1W CW |





AT-FAT-XX-65

DC-65GHz Fixed Attenuator

Ordering

| Part Number | Description |
|--------------|----------------------------------|
| AT-FAT-03-65 | Attenuation value 3dB, DC-65GHz |
| AT-FAT-06-65 | Attenuation value 6dB, DC-65GHz |
| AT-FAT-10-65 | Attenuation value 10dB, DC-65GHz |
| AT-FAT-20-65 | Attenuation value 20dB, DC-65GHz |
| AT-FAT-30-65 | Attenuation value 30dB, DC-65GHz |

Mechanical Information

| Item | Description |
|---------------------------|------------------------------|
| RF1 Port | 1.85mm Female |
| RF2 Port | 1.85mm Male |
| Body Material | SU304 Polished & Passivated |
| Center Contact | Beryllium Copper Gold Plated |
| Insulators | PEI |
| Weight (Without Heatsink) | 20g |
| Size: | See Outline |

Absolute Maximum Ratings Table

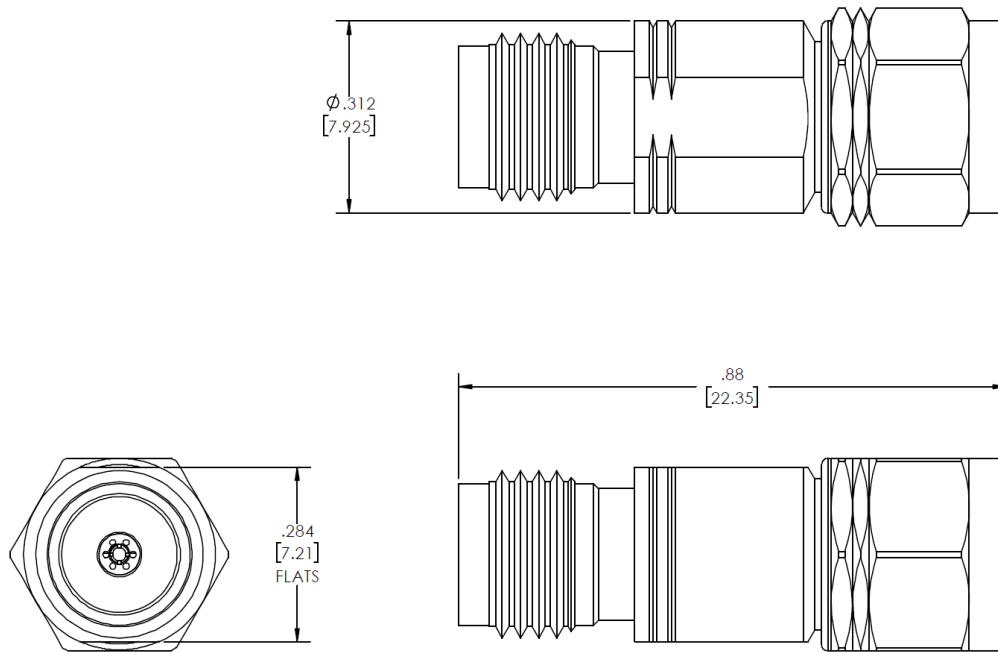
| Parameter | Value |
|-----------------------|--------------|
| RF RF1 Power | +30 dBm |
| Operating Temperature | -65 to +70C |
| Storage Temperature | -65 to +165C |

Notes:

1. Datasheet may be changed according to update of MMIC, Raw materials , process, and so on.
2. This data is only for reference, not for guaranteed specifications.
3. Please contact AT Microwave team to make sure you have the most current data.



Dimension (mm)



History

| Date | Description |
|-----------|-------------------|
| 2021-1-22 | Datasheet Updated |

