

## E Band Receiver, 66-71GHz



### Product Overview

AT-ERX-6671 is a E Band Receiver, with gain=3dB, NF=5 dB typical.

The Rx is integrated with High Performance GaAs MMIC chips. RF frequency range is 66-71GHz, LO range is 9.5-11.83GHz with x6 times multiplier inside. IF range is DC-10GHz The receiver is with compact size. LO/IF port is with SMA, and RF port is with standard WR-12.

More information, please visit [www.atmicrowave.com](http://www.atmicrowave.com)

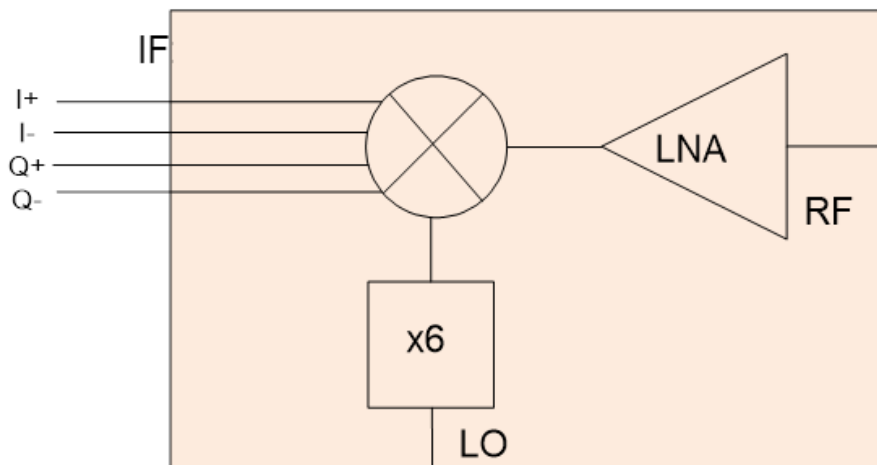
### Feature

- ✓ Frequency: 66-71GHz
- ✓ Gain: 3dB typical
- ✓ IF Range: DC-10GHz
- ✓ NF=5dB Typical
- ✓ Single Power Supply

### Application

- ✓ E Band Communication
- ✓ FOD (Foreigner Objects Debris)
- ✓ Test Equipment
- ✓ ROF (RF Over Fiber)
- ✓ Radar System

### Diagram Block





# AT-ERX-6671

Compact E Band Receiver, 66-71GHz

## Key Features

Parameter	Min	Typical	Max
RF Frequency		66-71GHz	
IF Frequency (Note1)		DC-10GHz	
LO Frequency	9.5GHz		11GHz
LO Power		+10dBm	
NF		5 dB	
OIP3		+20dBm	
Conversion Gain		3 dB	
RF Return Loss		-7dB	
LO Return Loss		-10dB	
Drain Power Supply		+5/300mA	+8V
RF Port Connector(Note1)		WR-12	
IF/LO Port Connector		SMA Female	
Weight		310g	
Dimension		50x60x20mm	

Note1: WR-15 is available according to request.

## Test Condition

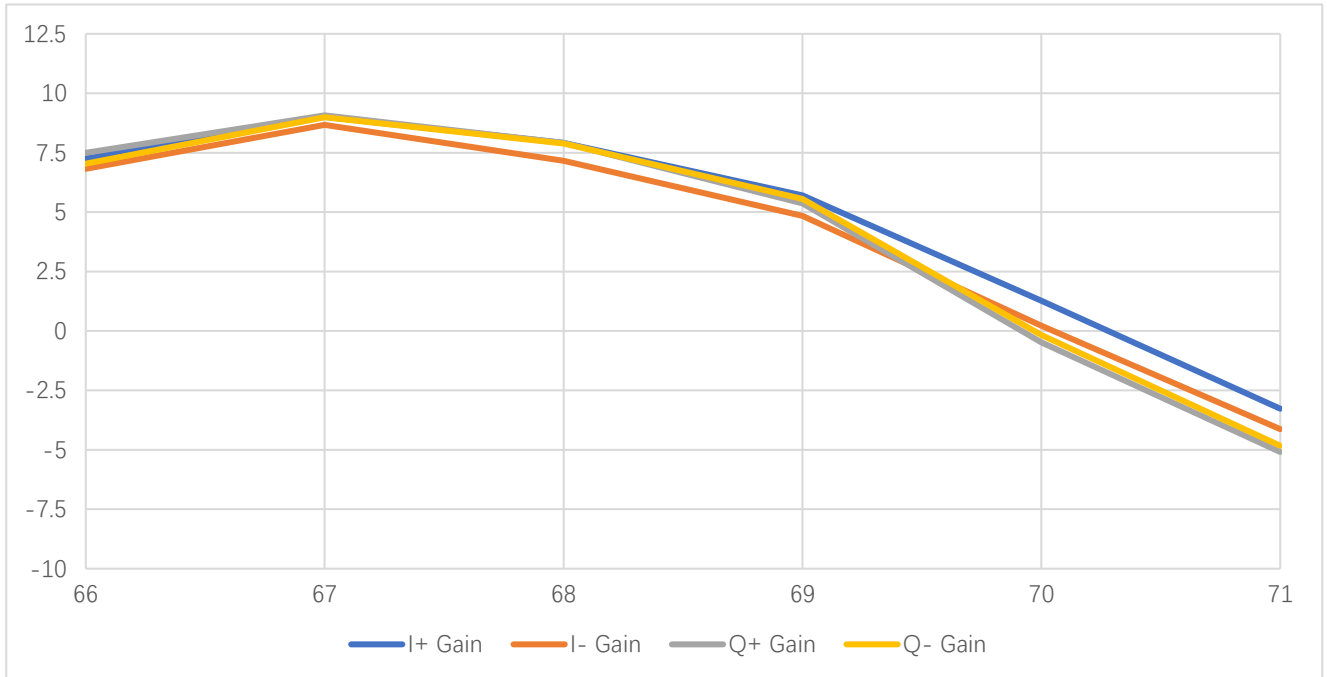
Parameter	Setting
RF Input Power	-25dBm
LO Power	+10dBm
IF Output	1GHz
Temperature	25C

## Absolute Maximum Ratings Table

Parameter	Value
Drain Supply	+9V
RF Input Power	+0dBm
LO Power	+15dBm
Operating Temperature	0 to +50C
Storage Temperature	-65 to +150C



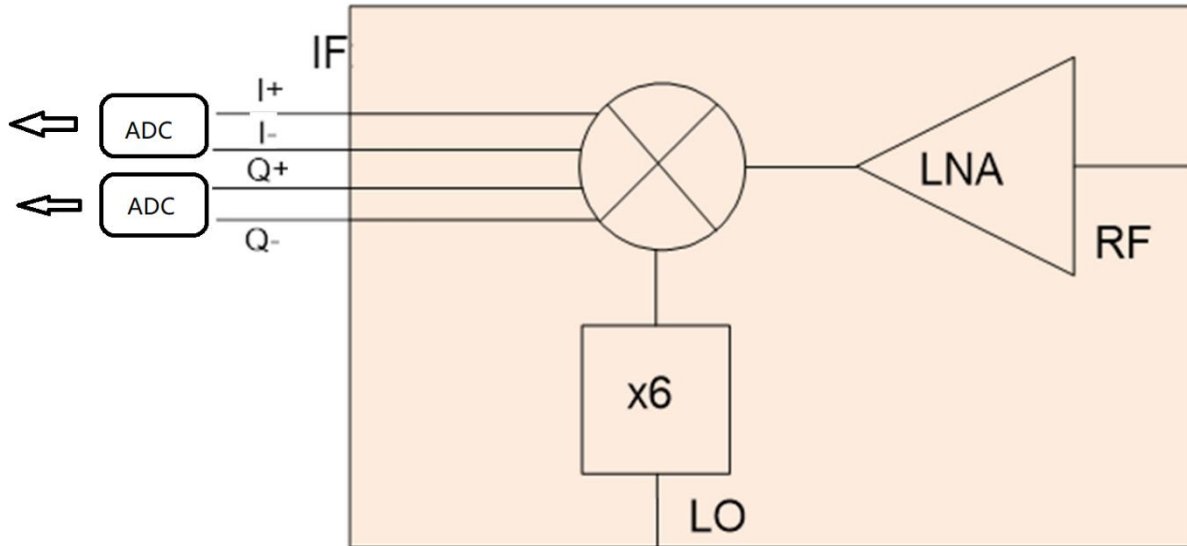
## Test Data:



IF Conversion Gain vs Frequency, IF=1GHz

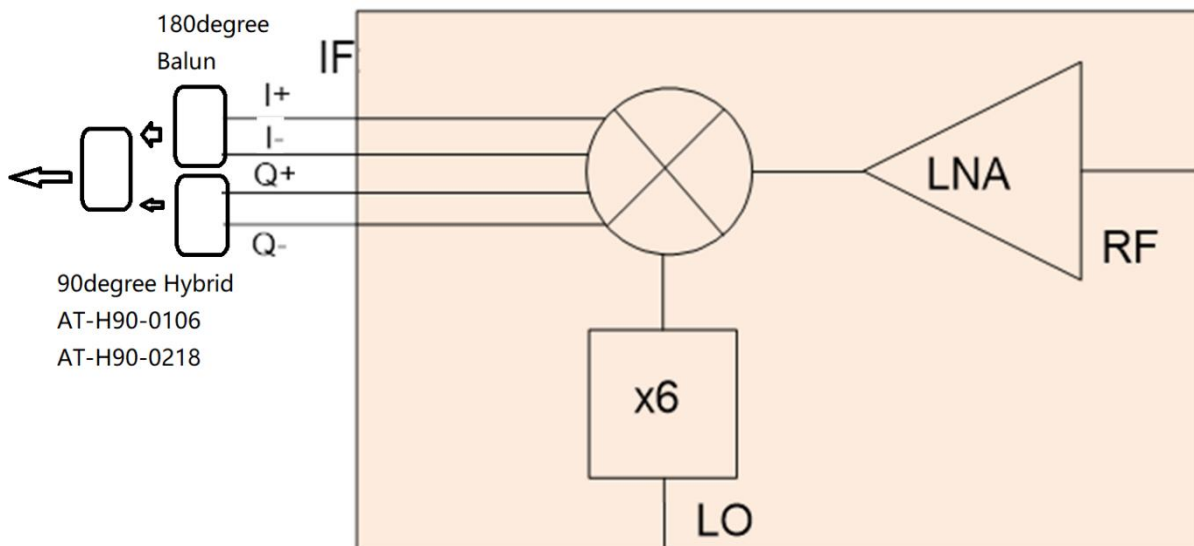


## Applicaiton1:



Zero IF Direct Conversion

## Applicaiton2:



Imaging Rejection Single IF Application

Contact with us for 180degree balun and 90degree hybrid.



## Dimension (mm)

